

Products Features 产品特点

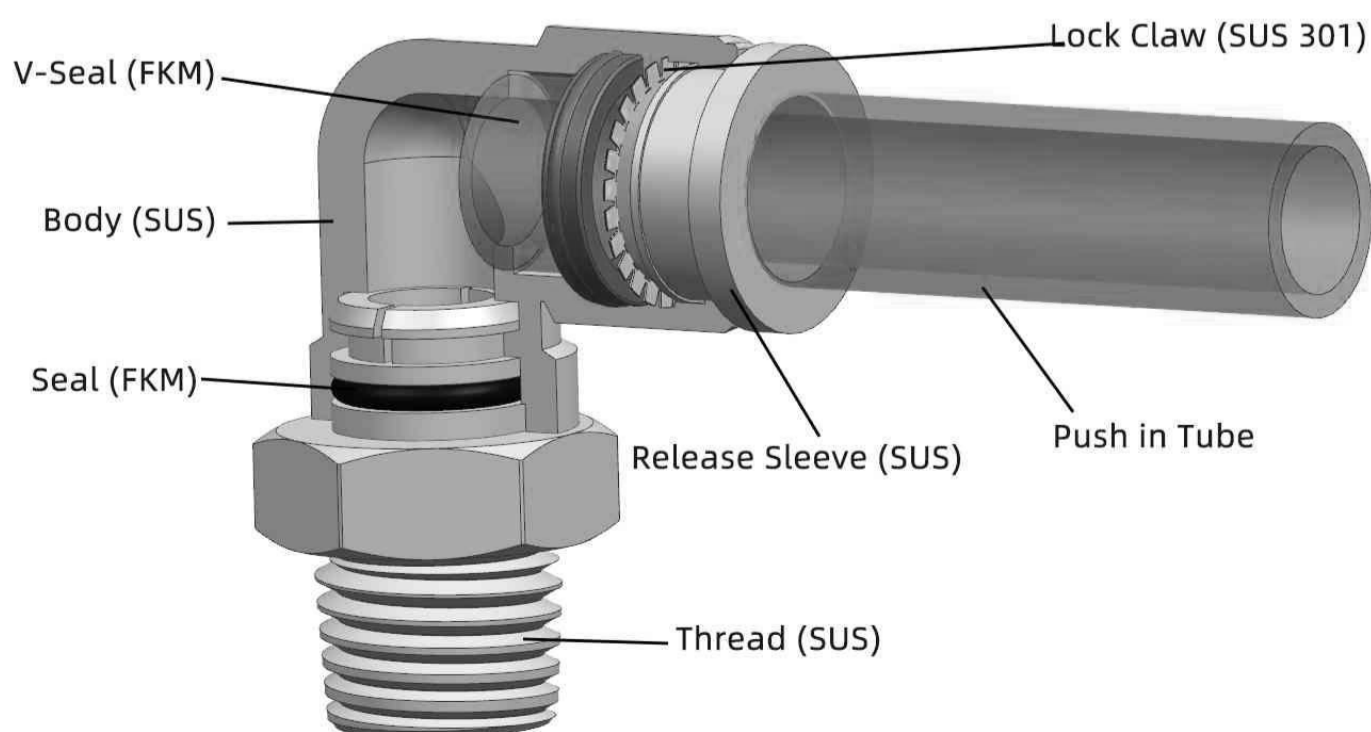
- The body is made of 316 stainless steel materials.
- Staying leak-proof even when subjected to extreme temperature, pressure and resistance.
- The stainless steel retaining claw within the fitting holds the tubing securely without damaging its surface.
- The fitting can be aligned after assembly.
- A fluoro elastomer sealing ring guarantees a perfect seal between the standard tubing and the body of the fitting.
- 壳体采用 316 不锈钢制作。
- 即使在极端温度、压力和阻力下也能保持良好的密封性。
- 接头内的不锈钢卡簧可牢固地固定卡紧气管，而不会损坏其表面。
- 在安装之后，插管方向仍旧可以调整。
- 氟弹性体密封圈保证了标准气管和接头主体之间的完美密封。



Products Specifications & Structure 产品参数以及结构

Fluid Admitted 适用流体	Vacuum, Air, Steam, Water*
Working Pressure 使用压力范围	0-2.0MPa 0-290Psi
Proof Pressure 耐压试验压力	3.0MPa 435Psi
Negative Pressure 使用负压范围	-100Kpa -29.5 In.Hg
Working Temperature 环境温度及使用流体温度	-20~150°C -4~302°F
Applicable Tube 适用接管	PU/PA/PE/PVC/PTFE Tube

*no freezing



Products Code System 型号代码释义

SPC 08-02

Stainless Steel

Connection Thread

R, PT, BSPT Thread - 55° Taper Pipe Thread						
Code	1/16	01	02	03	04	06
Thread Size	R1/16	R1/8	R1/4	R3/8	R1/2	R3/4

G, BSPP Thread - 55° Parallel Pipe Thread						
Code	G1/16	G01	G02	G03	G04	G06
Thread Size	G1/16	G1/8	G1/4	G3/8	G1/2	G3/4

NPT Thread - 60° American National Standard Taper Pipe Thread							UNF Thread	UNC Thread
Code	N1/16	N01	N02	N03	N04	N06	U10	U24
Thread Size	1/16NPT	1/8NPT	1/4NPT	3/8NPT	1/2NPT	3/4NPT	10-32UNF	10-24UNC

Metric Thread *										
Code	M3	M4	M5	M6	M8	M10	M12	M14	M16	M20
Thread Size	M3x0.5	M4x0.7	M5x0.8	M6x1	M8x1	M10x1	M12x1.25	M14x1.5	M16x1.5	M20x1.5

* Generally used metric thread size and pitch. Other sizes are also available upon request.

Tube O.D.

Metric Tube Size												
Code	04	05	06	07	08	09	10	11	12	14	15	16
Tube O.D.	Ø4mm	Ø5mm	Ø6mm	Ø7mm	Ø8mm	Ø9mm	Ø10mm	Ø11mm	Ø12mm	Ø14mm	Ø15mm	Ø16mm

Inch Tube Size									
Code	1/8	5/32	3/16	1/4	5/16	3/8	1/2	5/8	
Tube O.D.	Ø1/8"	Ø5/32"	Ø3/16"	Ø1/4"	Ø5/16"	Ø3/8"	Ø1/2"	Ø5/8"	

Model

PC= Male Connector

PL= Male Elbow

...

PU= Union Straight

SPC Male Connector
外螺纹直通



Metric Tube (ØD) - R, PT, BSPT Thread (T) 公制插管 (ØD) - R, PT, BSPT 螺纹 (T)		
SPC 04-1/16	SPC 10-01	SPC 14-06
SPC 04-01	SPC 10-02	SPC 16-02
SPC 04-02	SPC 10-03	SPC 16-03
SPC 06-1/16	SPC 10-04	SPC 16-04
SPC 06-01	SPC 12-01	SPC 16-06
SPC 06-02	SPC 12-02	SPC 16-08
SPC 06-03	SPC 12-03	
SPC 06-04	SPC 12-04	
SPC 08-01	SPC 12-06	
SPC 08-02	SPC 14-02	
SPC 08-03	SPC 14-03	
SPC 08-04	SPC 14-04	

Inch Tube (ØD) - NPT, UNF, UNC Thread (T) 英制插管 (ØD) - NPT, UNF, UNC 螺纹 (T)		
SPC 1/8-U10	SPC 1/4-U10	SPC 3/8-N03
SPC 1/8-N1/16	SPC 1/4-N1/16	SPC 3/8-N04
SPC 1/8-N01	SPC 1/4-N01	SPC 1/2-N01
SPC 1/8-N02	SPC 1/4-N02	SPC 1/2-N02
SPC 5/32-U10	SPC 1/4-N03	SPC 1/2-N03
SPC 5/32-N1/16	SPC 1/4-N04	SPC 1/2-N04
SPC 5/32-N01	SPC 5/16-N01	SPC 1/2-N06
SPC 5/32-N02	SPC 5/16-N02	SPC 5/8-N01
SPC 3/16-U10	SPC 5/16-N03	SPC 5/8-N02
SPC 3/16-N1/16	SPC 5/16-N04	SPC 5/8-N03
SPC 3/16-N01	SPC 3/8-N01	SPC 5/8-N04
SPC 3/16-N02	SPC 3/8-N02	SPC 5/8-N06

Metric Tube (ØD) - G, BSPP Thread (T) 公制插管 (ØD) - G, BSPP 螺纹 (T)		
SPC 04-G1/16	SPC 10-G02	SPC 16-G03
SPC 04-G01	SPC 10-G03	SPC 16-G04
SPC 04-G02	SPC 10-G04	SPC 16-G06
SPC 06-G1/16	SPC 12-G01	SPC 16-G08
SPC 06-G01	SPC 12-G02	
SPC 06-G02	SPC 12-G03	
SPC 06-G03	SPC 12-G04	
SPC 06-G04	SPC 12-G06	
SPC 08-G01	SPC 14-G02	
SPC 08-G02	SPC 14-G03	
SPC 08-G03	SPC 14-G04	
SPC 08-G04	SPC 14-G06	
SPC 10-G01	SPC 16-G02	

Metric Tube (ØD) - Metric Thread (T) 公制插管 (ØD) - Metric 螺纹 (T)		
SPC 04-M4	SPC 06-M16	SPC 10-M20
SPC 04-M5	SPC 06-M20	SPC 12-M8
SPC 04-M6	SPC 08-M8	SPC 12-M10
SPC 04-M8	SPC 08-M10	SPC 12-M12
SPC 04-M10	SPC 08-M12	SPC 12-M14
SPC 04-M12	SPC 08-M14	SPC 12-M16
SPC 06-M4	SPC 08-M16	SPC 12-M20
SPC 06-M5	SPC 08-M20	SPC 16-M12
SPC 06-M6	SPC 10-M8	SPC 16-M14
SPC 06-M8	SPC 10-M10	SPC 16-M16
SPC 06-M10	SPC 10-M12	SPC 16-M20
SPC 06-M12	SPC 10-M14	
SPC 06-M14	SPC 10-M16	

SPL Male Elbow
外螺纹弯头



Metric Tube (ØD) - R, PT, BSPT Thread (T) 公制插管 (ØD) - R, PT, BSPT 螺纹 (T)		
SPL 04-1/16	SPL 10-01	SPL 14-06
SPL 04-01	SPL 10-02	SPL 16-02
SPL 04-02	SPL 10-03	SPL 16-03
SPL 06-1/16	SPL 10-04	SPL 16-04
SPL 06-01	SPL 12-01	SPL 16-06
SPL 06-02	SPL 12-02	SPL 16-08
SPL 06-03	SPL 12-03	
SPL 06-04	SPL 12-04	
SPL 08-01	SPL 12-06	
SPL 08-02	SPL 14-02	
SPL 08-03	SPL 14-03	
SPL 08-04	SPL 14-04	

Inch Tube (ØD) - NPT, UNF, UNC Thread (T) 英制插管 (ØD) - NPT, UNF, UNC 螺纹 (T)		
SPL 1/8-U10	SPL 1/4-U10	SPL 3/8-N03
SPL 1/8-N1/16	SPL 1/4-N1/16	SPL 3/8-N04
SPL 1/8-N01	SPL 1/4-N01	SPL 1/2-N01
SPL 1/8-N02	SPL 1/4-N02	SPL 1/2-N02
SPL 5/32-U10	SPL 1/4-N03	SPL 1/2-N03
SPL 5/32-N1/16	SPL 1/4-N04	SPL 1/2-N04
SPL 5/32-N01	SPL 5/16-N01	SPL 1/2-N06
SPL 5/32-N02	SPL 5/16-N02	SPL 5/8-N01
SPL 3/16-U10	SPL 5/16-N03	SPL 5/8-N02
SPL 3/16-N1/16	SPL 5/16-N04	SPL 5/8-N03
SPL 3/16-N01	SPL 3/8-N01	SPL 5/8-N04
SPL 3/16-N02	SPL 3/8-N02	SPL 5/8-N06

Metric Tube (ØD) - G, BSPP Thread (T) 公制插管 (ØD) - G, BSPP 螺纹 (T)		
SPL 04-G1/16	SPL 10-G02	SPL 16-G03
SPL 04-G01	SPL 10-G03	SPL 16-G04
SPL 04-G02	SPL 10-G04	SPL 16-G06
SPL 06-G1/16	SPL 12-G01	SPL 16-G08
SPL 06-G01	SPL 12-G02	
SPL 06-G02	SPL 12-G03	
SPL 06-G03	SPL 12-G04	
SPL 06-G04	SPL 12-G06	
SPL 08-G01	SPL 14-G02	
SPL 08-G02	SPL 14-G03	
SPL 08-G03	SPL 14-G04	
SPL 08-G04	SPL 14-G06	
SPL 10-G01	SPL 16-G02	

Metric Tube (ØD) - Metric Thread (T) 公制插管 (ØD) - Metric 螺纹 (T)		
SPL 04-M4	SPL 06-M16	SPL 10-M20
SPL 04-M5	SPL 06-M20	SPL 12-M8
SPL 04-M6	SPL 08-M8	SPL 12-M10
SPL 04-M8	SPL 08-M10	SPL 12-M12
SPL 04-M10	SPL 08-M12	SPL 12-M14
SPL 04-M12	SPL 08-M14	SPL 12-M16
SPL 06-M4	SPL 08-M16	SPL 12-M20
SPL 06-M5	SPL 08-M20	SPL 16-M12
SPL 06-M6	SPL 10-M8	SPL 16-M14
SPL 06-M8	SPL 10-M10	SPL 16-M16
SPL 06-M10	SPL 10-M12	SPL 16-M20
SPL 06-M12	SPL 10-M14	
SPL 06-M14	SPL 10-M16	

SPCF Female Connector
内螺纹直通

∅D



T

Metric Tube (∅D) - Rc, PT, BSPT Thread (T) 公制插管 (∅D) - Rc, PT, BSPT 螺纹 (T)		
SPCF 04-1/16	SPCF 10-01	SPCF 14-06
SPCF 04-01	SPCF 10-02	SPCF 16-02
SPCF 04-02	SPCF 10-03	SPCF 16-03
SPCF 06-1/16	SPCF 10-04	SPCF 16-04
SPCF 06-01	SPCF 12-01	SPCF 16-06
SPCF 06-02	SPCF 12-02	SPCF 16-08
SPCF 06-03	SPCF 12-03	
SPCF 06-04	SPCF 12-04	
SPCF 08-01	SPCF 12-06	
SPCF 08-02	SPCF 14-02	
SPCF 08-03	SPCF 14-03	
SPCF 08-04	SPCF 14-04	

Inch Tube (∅D) - NPT, UNF, UNC Thread (T) 英制插管 (∅D) - NPT, UNF, UNC 螺纹 (T)		
SPCF 1/8-U10	SPCF 1/4-U10	SPCF 3/8-N03
SPCF 1/8-N1/16	SPCF 1/4-N1/16	SPCF 3/8-N04
SPCF 1/8-N01	SPCF 1/4-N01	SPCF 1/2-N01
SPCF 1/8-N02	SPCF 1/4-N02	SPCF 1/2-N02
SPCF 5/32-U10	SPCF 1/4-N03	SPCF 1/2-N03
SPCF 5/32-N1/16	SPCF 1/4-N04	SPCF 1/2-N04
SPCF 5/32-N01	SPCF 5/16-N01	SPCF 1/2-N06
SPCF 5/32-N02	SPCF 5/16-N02	SPCF 5/8-N01
SPCF 3/16-U10	SPCF 5/16-N03	SPCF 5/8-N02
SPCF 3/16-N1/16	SPCF 5/16-N04	SPCF 5/8-N03
SPCF 3/16-N01	SPCF 3/8-N01	SPCF 5/8-N04
SPCF 3/16-N02	SPCF 3/8-N02	SPCF 5/8-N06

Metric Tube (∅D) - G, BSPP Thread (T) 公制插管 (∅D) - G, BSPP 螺纹 (T)		
SPCF 04-G1/16	SPCF 10-G02	SPCF 16-G03
SPCF 04-G01	SPCF 10-G03	SPCF 16-G04
SPCF 04-G02	SPCF 10-G04	SPCF 16-G06
SPCF 06-G1/16	SPCF 12-G01	SPCF 16-G08
SPCF 06-G01	SPCF 12-G02	
SPCF 06-G02	SPCF 12-G03	
SPCF 06-G03	SPCF 12-G04	
SPCF 06-G04	SPCF 12-G06	
SPCF 08-G01	SPCF 14-G02	
SPCF 08-G02	SPCF 14-G03	
SPCF 08-G03	SPCF 14-G04	
SPCF 08-G04	SPCF 14-G06	
SPCF 10-G01	SPCF 16-G02	

Metric Tube (∅D) - Metric Thread (T) 公制插管 (∅D) - Metric 螺纹 (T)		
SPCF 04-M4	SPCF 06-M16	SPCF 10-M20
SPCF 04-M5	SPCF 06-M20	SPCF 12-M8
SPCF 04-M6	SPCF 08-M8	SPCF 12-M10
SPCF 04-M8	SPCF 08-M10	SPCF 12-M12
SPCF 04-M10	SPCF 08-M12	SPCF 12-M14
SPCF 04-M12	SPCF 08-M14	SPCF 12-M16
SPCF 06-M4	SPCF 08-M16	SPCF 12-M20
SPCF 06-M5	SPCF 08-M20	SPCF 16-M12
SPCF 06-M6	SPCF 10-M8	SPCF 16-M14
SPCF 06-M8	SPCF 10-M10	SPCF 16-M16
SPCF 06-M10	SPCF 10-M12	SPCF 16-M20
SPCF 06-M12	SPCF 10-M14	
SPCF 06-M14	SPCF 10-M16	

SPLF Female Elbow
内螺纹弯头

T



∅D

Metric Tube (∅D) - Rc, PT, BSPT Thread (T) 公制插管 (∅D) - Rc, PT, BSPT 螺纹 (T)		
SPLF 04-1/16	SPLF 10-01	SPLF 14-06
SPLF 04-01	SPLF 10-02	SPLF 16-02
SPLF 04-02	SPLF 10-03	SPLF 16-03
SPLF 06-1/16	SPLF 10-04	SPLF 16-04
SPLF 06-01	SPLF 12-01	SPLF 16-06
SPLF 06-02	SPLF 12-02	SPLF 16-08
SPLF 06-03	SPLF 12-03	
SPLF 06-04	SPLF 12-04	
SPLF 08-01	SPLF 12-06	
SPLF 08-02	SPLF 14-02	
SPLF 08-03	SPLF 14-03	
SPLF 08-04	SPLF 14-04	

Inch Tube (∅D) - NPT, UNF, UNC Thread (T) 英制插管 (∅D) - NPT, UNF, UNC 螺纹 (T)		
SPLF 1/8-U10	SPLF 1/4-U10	SPLF 3/8-N03
SPLF 1/8-N1/16	SPLF 1/4-N1/16	SPLF 3/8-N04
SPLF 1/8-N01	SPLF 1/4-N01	SPLF 1/2-N01
SPLF 1/8-N02	SPLF 1/4-N02	SPLF 1/2-N02
SPLF 5/32-U10	SPLF 1/4-N03	SPLF 1/2-N03
SPLF 5/32-N1/16	SPLF 1/4-N04	SPLF 1/2-N04
SPLF 5/32-N01	SPLF 5/16-N01	SPLF 1/2-N06
SPLF 5/32-N02	SPLF 5/16-N02	SPLF 5/8-N01
SPLF 3/16-U10	SPLF 5/16-N03	SPLF 5/8-N02
SPLF 3/16-N1/16	SPLF 5/16-N04	SPLF 5/8-N03
SPLF 3/16-N01	SPLF 3/8-N01	SPLF 5/8-N04
SPLF 3/16-N02	SPLF 3/8-N02	SPLF 5/8-N06

Metric Tube (∅D) - G, BSPP Thread (T) 公制插管 (∅D) - G, BSPP 螺纹 (T)		
SPLF 04-G1/16	SPLF 10-G02	SPLF 16-G03
SPLF 04-G01	SPLF 10-G03	SPLF 16-G04
SPLF 04-G02	SPLF 10-G04	SPLF 16-G06
SPLF 06-G1/16	SPLF 12-G01	SPLF 16-G08
SPLF 06-G01	SPLF 12-G02	
SPLF 06-G02	SPLF 12-G03	
SPLF 06-G03	SPLF 12-G04	
SPLF 06-G04	SPLF 12-G06	
SPLF 08-G01	SPLF 14-G02	
SPLF 08-G02	SPLF 14-G03	
SPLF 08-G03	SPLF 14-G04	
SPLF 08-G04	SPLF 14-G06	
SPLF 10-G01	SPLF 16-G02	

Metric Tube (∅D) - Metric Thread (T) 公制插管 (∅D) - Metric 螺纹 (T)		
SPLF 04-M4	SPLF 06-M16	SPLF 10-M20
SPLF 04-M5	SPLF 06-M20	SPLF 12-M8
SPLF 04-M6	SPLF 08-M8	SPLF 12-M10
SPLF 04-M8	SPLF 08-M10	SPLF 12-M12
SPLF 04-M10	SPLF 08-M12	SPLF 12-M14
SPLF 04-M12	SPLF 08-M14	SPLF 12-M16
SPLF 06-M4	SPLF 08-M16	SPLF 12-M20
SPLF 06-M5	SPLF 08-M20	SPLF 16-M12
SPLF 06-M6	SPLF 10-M8	SPLF 16-M14
SPLF 06-M8	SPLF 10-M10	SPLF 16-M16
SPLF 06-M10	SPLF 10-M12	SPLF 16-M20
SPLF 06-M12	SPLF 10-M14	
SPLF 06-M14	SPLF 10-M16	

SPB Male Branch Tee
外螺纹正三通



Metric Tube (ØD) - R, PT, BSPT Thread (T) 公制插管 (ØD) - R, PT, BSPT 螺纹 (T)		
SPB 04-1/16	SPB 10-01	SPB 14-06
SPB 04-01	SPB 10-02	SPB 16-02
SPB 04-02	SPB 10-03	SPB 16-03
SPB 06-1/16	SPB 10-04	SPB 16-04
SPB 06-01	SPB 12-01	SPB 16-06
SPB 06-02	SPB 12-02	SPB 16-08
SPB 06-03	SPB 12-03	
SPB 06-04	SPB 12-04	
SPB 08-01	SPB 12-06	
SPB 08-02	SPB 14-02	
SPB 08-03	SPB 14-03	
SPB 08-04	SPB 14-04	

Inch Tube (ØD) - NPT, UNF, UNC Thread (T) 英制插管 (ØD) - NPT, UNF, UNC 螺纹 (T)		
SPB 1/8-U10	SPB 1/4-U10	SPB 3/8-N03
SPB 1/8-N1/16	SPB 1/4-N1/16	SPB 3/8-N04
SPB 1/8-N01	SPB 1/4-N01	SPB 1/2-N01
SPB 1/8-N02	SPB 1/4-N02	SPB 1/2-N02
SPB 5/32-U10	SPB 1/4-N03	SPB 1/2-N03
SPB 5/32-N1/16	SPB 1/4-N04	SPB 1/2-N04
SPB 5/32-N01	SPB 5/16-N01	SPB 1/2-N06
SPB 5/32-N02	SPB 5/16-N02	SPB 5/8-N01
SPB 3/16-U10	SPB 5/16-N03	SPB 5/8-N02
SPB 3/16-N1/16	SPB 5/16-N04	SPB 5/8-N03
SPB 3/16-N01	SPB 3/8-N01	SPB 5/8-N04
SPB 3/16-N02	SPB 3/8-N02	SPB 5/8-N06

Metric Tube (ØD) - G, BSPP Thread (T) 公制插管 (ØD) - G, BSPP 螺纹 (T)		
SPB 04-G1/16	SPB 10-G02	SPB 16-G03
SPB 04-G01	SPB 10-G03	SPB 16-G04
SPB 04-G02	SPB 10-G04	SPB 16-G06
SPB 06-G1/16	SPB 12-G01	SPB 16-G08
SPB 06-G01	SPB 12-G02	
SPB 06-G02	SPB 12-G03	
SPB 06-G03	SPB 12-G04	
SPB 06-G04	SPB 12-G06	
SPB 08-G01	SPB 14-G02	
SPB 08-G02	SPB 14-G03	
SPB 08-G03	SPB 14-G04	
SPB 08-G04	SPB 14-G06	
SPB 10-G01	SPB 16-G02	

Metric Tube (ØD) - Metric Thread (T) 公制插管 (ØD) - Metric 螺纹 (T)		
SPB 04-M4	SPB 06-M16	SPB 10-M20
SPB 04-M5	SPB 06-M20	SPB 12-M8
SPB 04-M6	SPB 08-M8	SPB 12-M10
SPB 04-M8	SPB 08-M10	SPB 12-M12
SPB 04-M10	SPB 08-M12	SPB 12-M14
SPB 04-M12	SPB 08-M14	SPB 12-M16
SPB 06-M4	SPB 08-M16	SPB 12-M20
SPB 06-M5	SPB 08-M20	SPB 16-M12
SPB 06-M6	SPB 10-M8	SPB 16-M14
SPB 06-M8	SPB 10-M10	SPB 16-M16
SPB 06-M10	SPB 10-M12	SPB 16-M20
SPB 06-M12	SPB 10-M14	
SPB 06-M14	SPB 10-M16	

SPX Male Y
外螺纹 Y 型三通



Metric Tube (ØD) - R, PT, BSPT Thread (T) 公制插管 (ØD) - R, PT, BSPT 螺纹 (T)		
SPX 04-1/16	SPX 10-01	SPX 14-06
SPX 04-01	SPX 10-02	SPX 16-02
SPX 04-02	SPX 10-03	SPX 16-03
SPX 06-1/16	SPX 10-04	SPX 16-04
SPX 06-01	SPX 12-01	SPX 16-06
SPX 06-02	SPX 12-02	SPX 16-08
SPX 06-03	SPX 12-03	
SPX 06-04	SPX 12-04	
SPX 08-01	SPX 12-06	
SPX 08-02	SPX 14-02	
SPX 08-03	SPX 14-03	
SPX 08-04	SPX 14-04	

Inch Tube (ØD) - NPT, UNF, UNC Thread (T) 英制插管 (ØD) - NPT, UNF, UNC 螺纹 (T)		
SPX 1/8-U10	SPX 1/4-U10	SPX 3/8-N03
SPX 1/8-N1/16	SPX 1/4-N1/16	SPX 3/8-N04
SPX 1/8-N01	SPX 1/4-N01	SPX 1/2-N01
SPX 1/8-N02	SPX 1/4-N02	SPX 1/2-N02
SPX 5/32-U10	SPX 1/4-N03	SPX 1/2-N03
SPX 5/32-N1/16	SPX 1/4-N04	SPX 1/2-N04
SPX 5/32-N01	SPX 5/16-N01	SPX 1/2-N06
SPX 5/32-N02	SPX 5/16-N02	SPX 5/8-N01
SPX 3/16-U10	SPX 5/16-N03	SPX 5/8-N02
SPX 3/16-N1/16	SPX 5/16-N04	SPX 5/8-N03
SPX 3/16-N01	SPX 3/8-N01	SPX 5/8-N04
SPX 3/16-N02	SPX 3/8-N02	SPX 5/8-N06

Metric Tube (ØD) - G, BSPP Thread (T) 公制插管 (ØD) - G, BSPP 螺纹 (T)		
SPX 04-G1/16	SPX 10-G02	SPX 16-G03
SPX 04-G01	SPX 10-G03	SPX 16-G04
SPX 04-G02	SPX 10-G04	SPX 16-G06
SPX 06-G1/16	SPX 12-G01	SPX 16-G08
SPX 06-G01	SPX 12-G02	
SPX 06-G02	SPX 12-G03	
SPX 06-G03	SPX 12-G04	
SPX 06-G04	SPX 12-G06	
SPX 08-G01	SPX 14-G02	
SPX 08-G02	SPX 14-G03	
SPX 08-G03	SPX 14-G04	
SPX 08-G04	SPX 14-G06	
SPX 10-G01	SPX 16-G02	

Metric Tube (ØD) - Metric Thread (T) 公制插管 (ØD) - Metric 螺纹 (T)		
SPX 04-M4	SPX 06-M16	SPX 10-M20
SPX 04-M5	SPX 06-M20	SPX 12-M8
SPX 04-M6	SPX 08-M8	SPX 12-M10
SPX 04-M8	SPX 08-M10	SPX 12-M12
SPX 04-M10	SPX 08-M12	SPX 12-M14
SPX 04-M12	SPX 08-M14	SPX 12-M16
SPX 06-M4	SPX 08-M16	SPX 12-M20
SPX 06-M5	SPX 08-M20	SPX 16-M12
SPX 06-M6	SPX 10-M8	SPX 16-M14
SPX 06-M8	SPX 10-M10	SPX 16-M16
SPX 06-M10	SPX 10-M12	SPX 16-M20
SPX 06-M12	SPX 10-M14	
SPX 06-M14	SPX 10-M16	

SPOC Hexagon Male Connector
圆外螺纹直通



ØD

T

Metric Tube (ØD) - R, PT, BSPT Thread (T) 公制插管 (ØD) - R, PT, BSPT 螺纹 (T)		
SPOC 04-1/16	SPOC 10-01	SPOC 14-06
SPOC 04-01	SPOC 10-02	SPOC 16-02
SPOC 04-02	SPOC 10-03	SPOC 16-03
SPOC 06-1/16	SPOC 10-04	SPOC 16-04
SPOC 06-01	SPOC 12-01	SPOC 16-06
SPOC 06-02	SPOC 12-02	SPOC 16-08
SPOC 06-03	SPOC 12-03	
SPOC 06-04	SPOC 12-04	
SPOC 08-01	SPOC 12-06	
SPOC 08-02	SPOC 14-02	
SPOC 08-03	SPOC 14-03	
SPOC 08-04	SPOC 14-04	

Metric Tube (ØD) - G, BSPP Thread (T) 公制插管 (ØD) - G, BSPP 螺纹 (T)		
SPOC 04-G1/16	SPOC 10-G02	SPOC 16-G03
SPOC 04-G01	SPOC 10-G03	SPOC 16-G04
SPOC 04-G02	SPOC 10-G04	SPOC 16-G06
SPOC 06-G1/16	SPOC 12-G01	SPOC 16-G08
SPOC 06-G01	SPOC 12-G02	
SPOC 06-G02	SPOC 12-G03	
SPOC 06-G03	SPOC 12-G04	
SPOC 06-G04	SPOC 12-G06	
SPOC 08-G01	SPOC 14-G02	
SPOC 08-G02	SPOC 14-G03	
SPOC 08-G03	SPOC 14-G04	
SPOC 08-G04	SPOC 14-G06	
SPOC 10-G01	SPOC 16-G02	

Inch Tube (ØD) - NPT, UNF, UNC Thread (T) 英制插管 (ØD) - NPT, UNF, UNC 螺纹 (T)		
SPOC 1/8-U10	SPOC 1/4-U10	SPOC 3/8-N03
SPOC 1/8-N1/16	SPOC 1/4-N1/16	SPOC 3/8-N04
SPOC 1/8-N01	SPOC 1/4-N01	SPOC 1/2-N01
SPOC 1/8-N02	SPOC 1/4-N02	SPOC 1/2-N02
SPOC 5/32-U10	SPOC 1/4-N03	SPOC 1/2-N03
SPOC 5/32-N1/16	SPOC 1/4-N04	SPOC 1/2-N04
SPOC 5/32-N01	SPOC 5/16-N01	SPOC 1/2-N06
SPOC 5/32-N02	SPOC 5/16-N02	SPOC 5/8-N01
SPOC 3/16-U10	SPOC 5/16-N03	SPOC 5/8-N02
SPOC 3/16-N1/16	SPOC 5/16-N04	SPOC 5/8-N03
SPOC 3/16-N01	SPOC 3/8-N01	SPOC 5/8-N04
SPOC 3/16-N02	SPOC 3/8-N02	SPOC 5/8-N06

Metric Tube (ØD) - Metric Thread (T) 公制插管 (ØD) - Metric 螺纹 (T)		
SPOC 04-M4	SPOC 06-M16	SPOC 10-M20
SPOC 04-M5	SPOC 06-M20	SPOC 12-M8
SPOC 04-M6	SPOC 08-M8	SPOC 12-M10
SPOC 04-M8	SPOC 08-M10	SPOC 12-M12
SPOC 04-M10	SPOC 08-M12	SPOC 12-M14
SPOC 04-M12	SPOC 08-M14	SPOC 12-M16
SPOC 06-M4	SPOC 08-M16	SPOC 12-M20
SPOC 06-M5	SPOC 08-M20	SPOC 16-M12
SPOC 06-M6	SPOC 10-M8	SPOC 16-M14
SPOC 06-M8	SPOC 10-M10	SPOC 16-M16
SPOC 06-M10	SPOC 10-M12	SPOC 16-M20
SPOC 06-M12	SPOC 10-M14	
SPOC 06-M14	SPOC 10-M16	

SPLL Extended Male Elbow
加长型外螺纹弯头



ØD

T

Metric Tube (ØD) - R, PT, BSPT Thread (T) 公制插管 (ØD) - R, PT, BSPT 螺纹 (T)		
SPLL 04-1/16	SPLL 10-01	SPLL 14-06
SPLL 04-01	SPLL 10-02	SPLL 16-02
SPLL 04-02	SPLL 10-03	SPLL 16-03
SPLL 06-1/16	SPLL 10-04	SPLL 16-04
SPLL 06-01	SPLL 12-01	SPLL 16-06
SPLL 06-02	SPLL 12-02	SPLL 16-08
SPLL 06-03	SPLL 12-03	
SPLL 06-04	SPLL 12-04	
SPLL 08-01	SPLL 12-06	
SPLL 08-02	SPLL 14-02	
SPLL 08-03	SPLL 14-03	
SPLL 08-04	SPLL 14-04	

Metric Tube (ØD) - G, BSPP Thread (T) 公制插管 (ØD) - G, BSPP 螺纹 (T)		
SPLL 04-G1/16	SPLL 10-G02	SPLL 16-G03
SPLL 04-G01	SPLL 10-G03	SPLL 16-G04
SPLL 04-G02	SPLL 10-G04	SPLL 16-G06
SPLL 06-G1/16	SPLL 12-G01	SPLL 16-G08
SPLL 06-G01	SPLL 12-G02	
SPLL 06-G02	SPLL 12-G03	
SPLL 06-G03	SPLL 12-G04	
SPLL 06-G04	SPLL 12-G06	
SPLL 08-G01	SPLL 14-G02	
SPLL 08-G02	SPLL 14-G03	
SPLL 08-G03	SPLL 14-G04	
SPLL 08-G04	SPLL 14-G06	
SPLL 10-G01	SPLL 16-G02	

Inch Tube (ØD) - NPT, UNF, UNC Thread (T) 英制插管 (ØD) - NPT, UNF, UNC 螺纹 (T)		
SPLL 1/8-U10	SPLL 1/4-U10	SPLL 3/8-N03
SPLL 1/8-N1/16	SPLL 1/4-N1/16	SPLL 3/8-N04
SPLL 1/8-N01	SPLL 1/4-N01	SPLL 1/2-N01
SPLL 1/8-N02	SPLL 1/4-N02	SPLL 1/2-N02
SPLL 5/32-U10	SPLL 1/4-N03	SPLL 1/2-N03
SPLL 5/32-N1/16	SPLL 1/4-N04	SPLL 1/2-N04
SPLL 5/32-N01	SPLL 5/16-N01	SPLL 1/2-N06
SPLL 5/32-N02	SPLL 5/16-N02	SPLL 5/8-N01
SPLL 3/16-U10	SPLL 5/16-N03	SPLL 5/8-N02
SPLL 3/16-N1/16	SPLL 5/16-N04	SPLL 5/8-N03
SPLL 3/16-N01	SPLL 3/8-N01	SPLL 5/8-N04
SPLL 3/16-N02	SPLL 3/8-N02	SPLL 5/8-N06

Metric Tube (ØD) - Metric Thread (T) 公制插管 (ØD) - Metric 螺纹 (T)		
SPLL 04-M4	SPLL 06-M16	SPLL 10-M20
SPLL 04-M5	SPLL 06-M20	SPLL 12-M8
SPLL 04-M6	SPLL 08-M8	SPLL 12-M10
SPLL 04-M8	SPLL 08-M10	SPLL 12-M12
SPLL 04-M10	SPLL 08-M12	SPLL 12-M14
SPLL 04-M12	SPLL 08-M14	SPLL 12-M16
SPLL 06-M4	SPLL 08-M16	SPLL 12-M20
SPLL 06-M5	SPLL 08-M20	SPLL 16-M12
SPLL 06-M6	SPLL 10-M8	SPLL 16-M14
SPLL 06-M8	SPLL 10-M10	SPLL 16-M16
SPLL 06-M10	SPLL 10-M12	SPLL 16-M20
SPLL 06-M12	SPLL 10-M14	
SPLL 06-M14	SPLL 10-M16	

SPH Male Banjo
外螺纹外六角接头



Metric Tube (ØD) - R, PT, BSPT Thread (T) 公制插管 (ØD) - R, PT, BSPT 螺纹 (T)		
SPH 04-1/16	SPH 10-01	SPH 14-06
SPH 04-01	SPH 10-02	SPH 16-02
SPH 04-02	SPH 10-03	SPH 16-03
SPH 06-1/16	SPH 10-04	SPH 16-04
SPH 06-01	SPH 12-01	SPH 16-06
SPH 06-02	SPH 12-02	SPH 16-08
SPH 06-03	SPH 12-03	
SPH 06-04	SPH 12-04	
SPH 08-01	SPH 12-06	
SPH 08-02	SPH 14-02	
SPH 08-03	SPH 14-03	
SPH 08-04	SPH 14-04	

Metric Tube (ØD) - G, BSPP Thread (T) 公制插管 (ØD) - G, BSPP 螺纹 (T)		
SPH 04-G1/16	SPH 10-G02	SPH 16-G03
SPH 04-G01	SPH 10-G03	SPH 16-G04
SPH 04-G02	SPH 10-G04	SPH 16-G06
SPH 06-G1/16	SPH 12-G01	SPH 16-G08
SPH 06-G01	SPH 12-G02	
SPH 06-G02	SPH 12-G03	
SPH 06-G03	SPH 12-G04	
SPH 06-G04	SPH 12-G06	
SPH 08-G01	SPH 14-G02	
SPH 08-G02	SPH 14-G03	
SPH 08-G03	SPH 14-G04	
SPH 08-G04	SPH 14-G06	
SPH 10-G01	SPH 16-G02	

Inch Tube (ØD) - NPT, UNF, UNC Thread (T) 英制插管 (ØD) - NPT, UNF, UNC 螺纹 (T)		
SPH 1/8-U10	SPH 1/4-U10	SPH 3/8-N03
SPH 1/8-N1/16	SPH 1/4-N1/16	SPH 3/8-N04
SPH 1/8-N01	SPH 1/4-N01	SPH 1/2-N01
SPH 1/8-N02	SPH 1/4-N02	SPH 1/2-N02
SPH 5/32-U10	SPH 1/4-N03	SPH 1/2-N03
SPH 5/32-N1/16	SPH 1/4-N04	SPH 1/2-N04
SPH 5/32-N01	SPH 5/16-N01	SPH 1/2-N06
SPH 5/32-N02	SPH 5/16-N02	SPH 5/8-N01
SPH 3/16-U10	SPH 5/16-N03	SPH 5/8-N02
SPH 3/16-N1/16	SPH 5/16-N04	SPH 5/8-N03
SPH 3/16-N01	SPH 3/8-N01	SPH 5/8-N04
SPH 3/16-N02	SPH 3/8-N02	SPH 5/8-N06

Metric Tube (ØD) - Metric Thread (T) 公制插管 (ØD) - Metric 螺纹 (T)		
SPH 04-M4	SPH 06-M16	SPH 10-M20
SPH 04-M5	SPH 06-M20	SPH 12-M8
SPH 04-M6	SPH 08-M8	SPH 12-M10
SPH 04-M8	SPH 08-M10	SPH 12-M12
SPH 04-M10	SPH 08-M12	SPH 12-M14
SPH 04-M12	SPH 08-M14	SPH 12-M16
SPH 06-M4	SPH 08-M16	SPH 12-M20
SPH 06-M5	SPH 08-M20	SPH 16-M12
SPH 06-M6	SPH 10-M8	SPH 16-M14
SPH 06-M8	SPH 10-M10	SPH 16-M16
SPH 06-M10	SPH 10-M12	SPH 16-M20
SPH 06-M12	SPH 10-M14	
SPH 06-M14	SPH 10-M16	

SPMF Bulkhead Female Connector
隔板内螺纹直通



Metric Tube (ØD) - Rc, PT, BSPT Thread (T) 公制插管 (ØD) - Rc, PT, BSPT 螺纹 (T)		
SPMF 04-1/16	SPMF 10-01	SPMF 14-06
SPMF 04-01	SPMF 10-02	SPMF 16-02
SPMF 04-02	SPMF 10-03	SPMF 16-03
SPMF 06-1/16	SPMF 10-04	SPMF 16-04
SPMF 06-01	SPMF 12-01	SPMF 16-06
SPMF 06-02	SPMF 12-02	SPMF 16-08
SPMF 06-03	SPMF 12-03	
SPMF 06-04	SPMF 12-04	
SPMF 08-01	SPMF 12-06	
SPMF 08-02	SPMF 14-02	
SPMF 08-03	SPMF 14-03	
SPMF 08-04	SPMF 14-04	

Metric Tube (ØD) - G, BSPP Thread (T) 公制插管 (ØD) - G, BSPP 螺纹 (T)		
SPMF 04-G1/16	SPMF 10-G02	SPMF 16-G03
SPMF 04-G01	SPMF 10-G03	SPMF 16-G04
SPMF 04-G02	SPMF 10-G04	SPMF 16-G06
SPMF 06-G1/16	SPMF 12-G01	SPMF 16-G08
SPMF 06-G01	SPMF 12-G02	
SPMF 06-G02	SPMF 12-G03	
SPMF 06-G03	SPMF 12-G04	
SPMF 06-G04	SPMF 12-G06	
SPMF 08-G01	SPMF 14-G02	
SPMF 08-G02	SPMF 14-G03	
SPMF 08-G03	SPMF 14-G04	
SPMF 08-G04	SPMF 14-G06	
SPMF 10-G01	SPMF 16-G02	

Inch Tube (ØD) - NPT, UNF, UNC Thread (T) 英制插管 (ØD) - NPT, UNF, UNC 螺纹 (T)		
SPMF 1/8-U10	SPMF 1/4-U10	SPMF 3/8-N03
SPMF 1/8-N1/16	SPMF 1/4-N1/16	SPMF 3/8-N04
SPMF 1/8-N01	SPMF 1/4-N01	SPMF 1/2-N01
SPMF 1/8-N02	SPMF 1/4-N02	SPMF 1/2-N02
SPMF 5/32-U10	SPMF 1/4-N03	SPMF 1/2-N03
SPMF 5/32-N1/16	SPMF 1/4-N04	SPMF 1/2-N04
SPMF 5/32-N01	SPMF 5/16-N01	SPMF 1/2-N06
SPMF 5/32-N02	SPMF 5/16-N02	SPMF 5/8-N01
SPMF 3/16-U10	SPMF 5/16-N03	SPMF 5/8-N02
SPMF 3/16-N1/16	SPMF 5/16-N04	SPMF 5/8-N03
SPMF 3/16-N01	SPMF 3/8-N01	SPMF 5/8-N04
SPMF 3/16-N02	SPMF 3/8-N02	SPMF 5/8-N06

Metric Tube (ØD) - Metric Thread (T) 公制插管 (ØD) - Metric 螺纹 (T)		
SPMF 04-M4	SPMF 06-M16	SPMF 10-M20
SPMF 04-M5	SPMF 06-M20	SPMF 12-M8
SPMF 04-M6	SPMF 08-M8	SPMF 12-M10
SPMF 04-M8	SPMF 08-M10	SPMF 12-M12
SPMF 04-M10	SPMF 08-M12	SPMF 12-M14
SPMF 04-M12	SPMF 08-M14	SPMF 12-M16
SPMF 06-M4	SPMF 08-M16	SPMF 12-M20
SPMF 06-M5	SPMF 08-M20	SPMF 16-M12
SPMF 06-M6	SPMF 10-M8	SPMF 16-M14
SPMF 06-M8	SPMF 10-M10	SPMF 16-M16
SPMF 06-M10	SPMF 10-M12	SPMF 16-M20
SPMF 06-M12	SPMF 10-M14	
SPMF 06-M14	SPMF 10-M16	

SPU Union Straight
插管等径直通



Metric Tube (ØD) 公制插管 (ØD)	Inch Tube (ØD) 英制插管 (ØD)
SPU 04	SPU 1/8
SPU 06	SPU 5/32
SPU 08	SPU 3/16
SPU 10	SPU 1/4
SPU 12	SPU 5/16
SPU 14	SPU 3/8
SPU 16	SPU 1/2
	SPU 5/8

SPG Union Straight Reducer
插管直通变径



Metric Tube (ØD) 公制插管 (ØD)	Inch Tube (ØD) 英制插管 (ØD)
SPG 06-04	SPG 5/32-1/8
SPG 08-06	SPG 3/16-5/32
SPG 10-08	SPG 1/4-5/32
SPG 12-10	SPG 1/4-3/16
SPG 14-12	SPG 5/16-1/4
SPG 16-14	SPG 3/8-5/16
	SPG 1/2-3/8

SPV 90° Union Elbow
插管等径 90°弯头



Metric Tube (ØD) 公制插管 (ØD)	Inch Tube (ØD) 英制插管 (ØD)
SPV 04	SPV 1/8
SPV 06	SPV 5/32
SPV 08	SPV 3/16
SPV 10	SPV 1/4
SPV 12	SPV 5/16
SPV 14	SPV 3/8
SPV 16	SPV 1/2
	SPV 5/8

SPVG 90° Union Elbow Reducer
插管 90°弯头变径



Metric Tube (ØD) 公制插管 (ØD)	Inch Tube (ØD) 英制插管 (ØD)
SPVG 06-04	SPVG 5/32-1/8
SPVG 08-06	SPVG 3/16-5/32
SPVG 10-08	SPVG 1/4-5/32
SPVG 12-10	SPVG 1/4-3/16
SPVG 14-12	SPVG 5/16-1/4
SPVG 16-14	SPVG 3/8-5/16
	SPVG 1/2-3/8

SPE Union Tee
插管等径正三通



Metric Tube (ØD) 公制插管 (ØD)	Inch Tube (ØD) 英制插管 (ØD)
SPE 04	SPE 1/8
SPE 06	SPE 5/32
SPE 08	SPE 3/16
SPE 10	SPE 1/4
SPE 12	SPE 5/16
SPE 14	SPE 3/8
SPE 16	SPE 1/2
	SPE 5/8

SPEG Union Tee Reducer
插管正三通变径



Metric Tube (ØD) 公制插管 (ØD)	Inch Tube (ØD) 英制插管 (ØD)
SPEG 06-04	SPEG 5/32-1/8
SPEG 08-06	SPEG 3/16-5/32
SPEG 10-08	SPEG 1/4-5/32
SPEG 12-10	SPEG 1/4-3/16
SPEG 14-12	SPEG 5/16-1/4
SPEG 16-14	SPEG 3/8-5/16
	SPEG 1/2-3/8

SPGE Union Tee Reducer
插管正三通变径



Metric Tube (ØD) 公制插管 (ØD)	Inch Tube (ØD) 英制插管 (ØD)
SPGE 06-04	SPGE 5/32-1/8
SPGE 08-06	SPGE 3/16-5/32
SPGE 10-08	SPGE 1/4-5/32
SPGE 12-10	SPGE 1/4-3/16
SPGE 14-12	SPGE 5/16-1/4
SPGE 16-14	SPGE 3/8-5/16
	SPGE 1/2-3/8

SPZA Union Cross
插管十字四通



Metric Tube (ØD) 公制插管 (ØD)	Inch Tube (ØD) 英制插管 (ØD)
SPZA 04	SPZA 5/32
SPZA 06	SPZA 3/16
SPZA 08	SPZA 1/4
SPZA 10	SPZA 5/16
SPZA 12	SPZA 3/8
	SPZA 1/2

SPY Union Y
插管等径 Y 型三通



Metric Tube (ØD) 公制插管 (ØD)	Inch Tube (ØD) 英制插管 (ØD)
SPY 04	SPY 1/8
SPY 06	SPY 5/32
SPY 08	SPY 3/16
SPY 10	SPY 1/4
SPY 12	SPY 5/16
SPY 14	SPY 3/8
SPY 16	SPY 1/2
	SPY 5/8

SPW Union Y Reducer
插管 Y 型三通变径



Metric Tube (ØD) 公制插管 (ØD)	Inch Tube (ØD) 英制插管 (ØD)
SPW 06-04	SPW 5/32-1/8
SPW 08-06	SPW 3/16-5/32
SPW 10-08	SPW 1/4-5/32
SPW 12-10	SPW 1/4-3/16
SPW 14-12	SPW 5/16-1/4
SPW 16-14	SPW 3/8-5/16
	SPW 1/2-3/8

SPM Bulkhead Union
插管隔板直通



ØD

Metric Tube (ØD) 公制插管 (ØD)	Inch Tube (ØD) 英制插管 (ØD)
SPM 04	SPM 1/8
SPM 06	SPM 5/32
SPM 08	SPM 3/16
SPM 10	SPM 1/4
SPM 12	SPM 5/16
SPM 14	SPM 3/8
SPM 16	SPM 1/2
	SPM 5/8

SPGJ Plug-in Reducer
插入式直通变径



ØD1

ØD1

Metric Tube (ØD) 公制插管 (ØD)	Inch Tube (ØD) 英制插管 (ØD)
SPGJ 06-04	SPGJ 5/32-1/8
SPGJ 08-06	SPGJ 3/16-5/32
SPGJ 10-08	SPGJ 1/4-5/32
SPGJ 12-10	SPGJ 1/4-3/16
SPGJ 14-12	SPGJ 5/16-1/4
SPGJ 16-14	SPGJ 3/8-5/16
	SPGJ 1/2-3/8

SPP Tube Plug
管塞



ØD

Metric Tube (ØD) 公制插管 (ØD)	Inch Tube (ØD) 英制插管 (ØD)
SPP 04	SPP 1/8
SPP 06	SPP 5/32
SPP 08	SPP 3/16
SPP 10	SPP 1/4
SPP 12	SPP 5/16
SPP 14	SPP 3/8
SPP 16	SPP 1/2
	SPP 5/8