

产品特点

- 快插式气动接头用于气动管类系统中
- 具有安装快捷、简便以及体型小等优势
- 快插式气动接头型号种类齐全，可以满足各种气动管类系统的需求
- 即使在安装之后，气管的方向仍可自由改变(螺纹弯头、螺纹三通等)
- 释放卡簧式设计使得接头拔插管更加方便，省时省力
- 所有锥管螺纹(R 螺纹和 NPT 螺纹)都会预涂螺纹密封胶以提升接头的密封性
- 所有圆柱管螺纹配有标准的 O 型圈，方便密封及使用安装

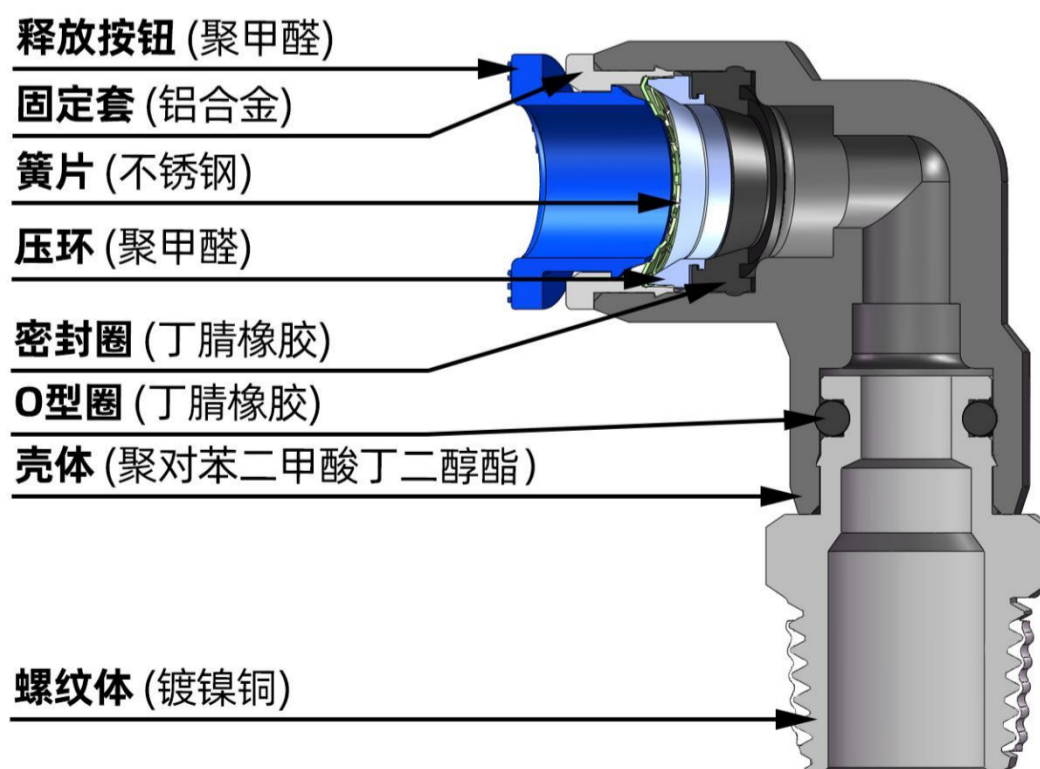
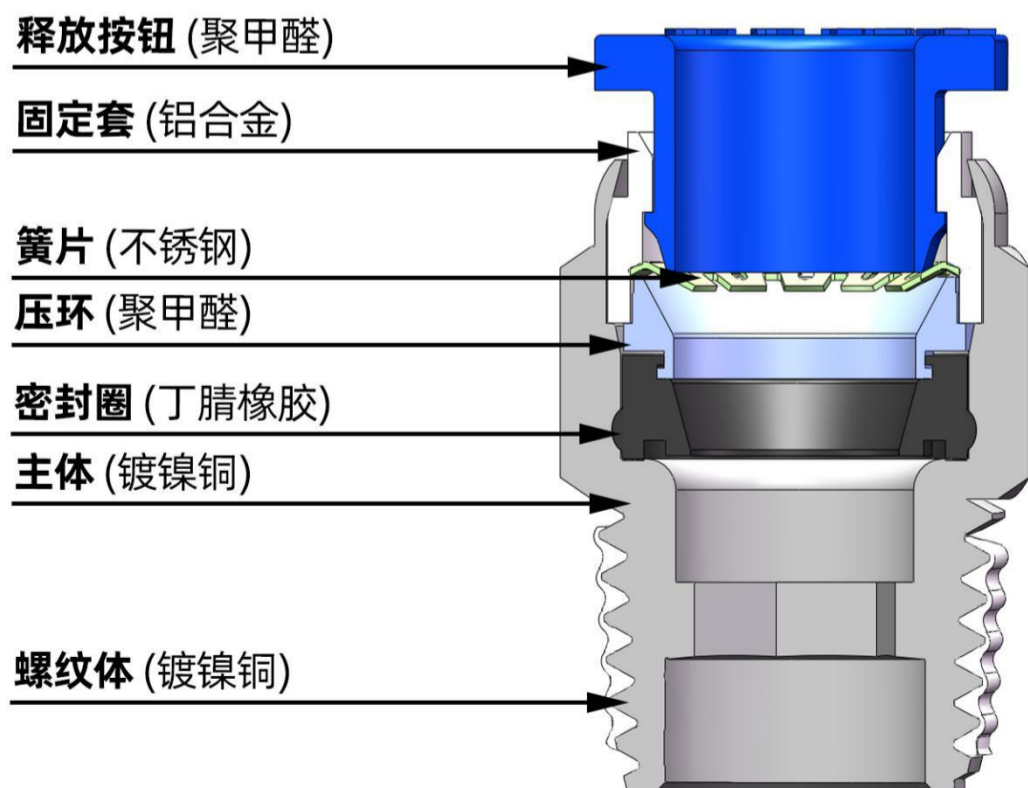


产品参数

适用流体	空气, 真空, 水*
使用压力范围	0~10 公斤 0~1.0MPa
耐压试验压力	30 公斤 3.0MPa
使用负压范围	-100Kpa -29.5 In Hg
环境温度及使用流体温度	0~60°C 32~140°F
适用接管	PU/PA/PE/PVC/PTFE 等塑料软管

* 不适用饮用水, 未结冰

产品结构图



产品型号代码

PC 08-02

③ 螺纹类型及尺寸

R, PT, BSPT 螺纹 - 55° 圆锥管螺纹						
代码	1/16	01	02	03	04	06
螺纹	R1/16	R1/8	R1/4	R3/8	R1/2	R3/4

G, BSPP 螺纹 - 55° 圆柱管螺纹						
代码	G1/16	G01	G02	G03	G04	G06
螺纹	G1/16	G1/8	G1/4	G3/8	G1/2	G3/4

NPT 螺纹 - 60° 美制圆锥管螺纹							UNF 螺纹	UNC 螺纹
代码	N1/16	N01	N02	N03	N04	N06	U10	U24
螺纹	1/16NPT	1/8NPT	1/4NPT	3/8NPT	1/2NPT	3/4NPT	10-32UNF	10-24UNC

公制螺纹 *										
代码	M3	M4	M5	M6	M8	M10	M12	M14	M16	M20
螺纹	M3x0.5	M4x0.7	M5x0.8	M6x1	M8x1	M10x1	M12x1.25	M14x1.5	M16x1.5	M20x1.5

* 仅列出常用公制螺纹尺寸和螺距，其他规格也可提供。

② 管外径 O.D.

公制管外径												
代码	04	05	06	07	08	09	10	11	12	14	15	16
管外径	Ø4mm	Ø5mm	Ø6mm	Ø7mm	Ø8mm	Ø9mm	Ø10mm	Ø11mm	Ø12mm	Ø14mm	Ø15mm	Ø16mm

英制管外径									
代码	1/8	5/32	3/16	1/4	5/16	3/8	1/2	5/8	
管外径	Ø1/8"	Ø5/32"	Ø3/16"	Ø1/4"	Ø5/16"	Ø3/8"	Ø1/2"	Ø5/8"	

① 类型

外螺纹直通
外螺纹弯头
插管直通
...

Product Features

- Composite push in fittings are used in pneumatic piping system
- Quick installation, simple and flexible, space-saving
- The tube fittings come in a wide variety of models to meet all your needs in pneumatic piping
- Even after installation, the direction of the tube can be changed freely
- The release ring adopts oval shape design to make it more convenient and Labor-saving for disconnection
- All R and NPT threads are pre-coated sealant.
- All cylindrical threads are standard with O-ring seals

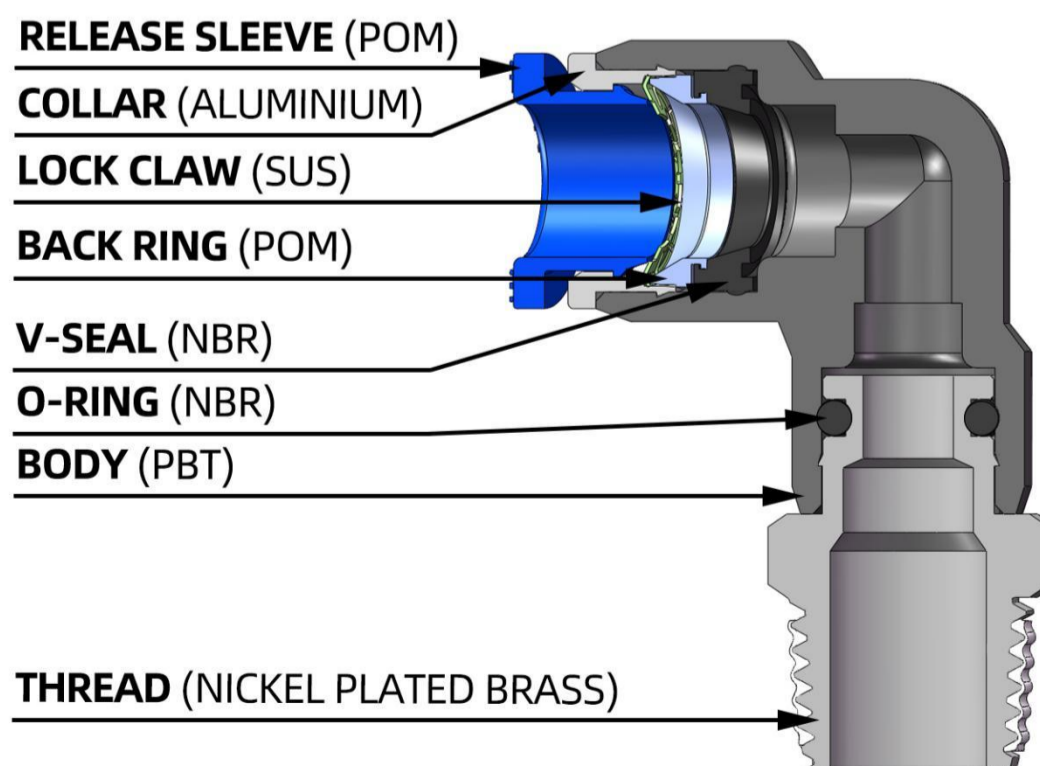
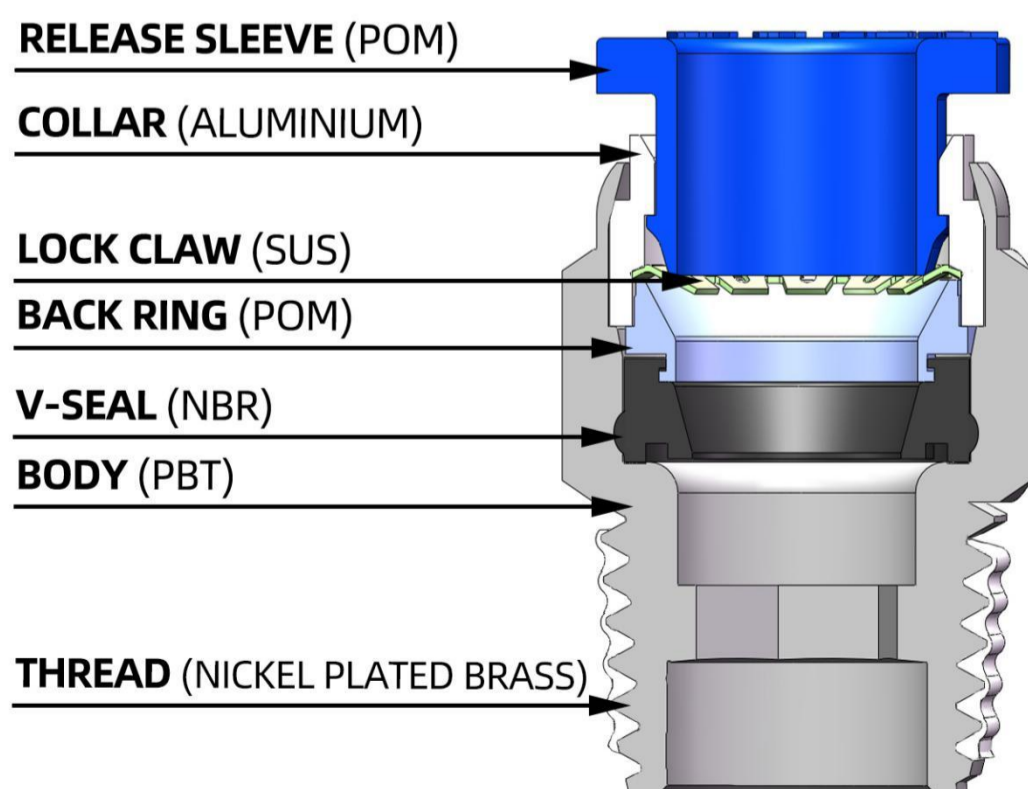


Product Specifications

Fluid Admitted	Air, Vacuum, Water*
Working Pressure	0~1.0MPa 0~150psi
Proof Pressure	3.0Mpa 435psi
Negative Pressure	-100Kpa -29.5 In Hg
Working Temperature	0~60°C 32~140°F
Applicable Tube	PU/PA/PE/PVC/PTFE...

* Not intended for use in potable water systems, no freezing

Product Structure



Product Code System

PC 08-02

③ Connection Thread

R, PT, BSPT Thread - 55° Taper Pipe Thread						
Code	1/16	01	02	03	04	06
Thread Size	R1/16	R1/8	R1/4	R3/8	R1/2	R3/4

G, BSPP Thread - 55° Parallel Pipe Thread						
Code	G1/16	G01	G02	G03	G04	G06
Thread Size	G1/16	G1/8	G1/4	G3/8	G1/2	G3/4

NPT Thread - 60° American National Standard Taper Pipe Thread							UNF Thread	UNC Thread
Code	N1/16	N01	N02	N03	N04	N06	U10	U24
Thread Size	1/16NPT	1/8NPT	1/4NPT	3/8NPT	1/2NPT	3/4NPT	10-32UNF	10-24UNC

Metric Thread *										
Code	M3	M4	M5	M6	M8	M10	M12	M14	M16	M20
Thread Size	M3x0.5	M4x0.7	M5x0.8	M6x1	M8x1	M10x1	M12x1.25	M14x1.5	M16x1.5	M20x1.5

* Generally used metric thread size and pitch. Other sizes are also available upon request.

② Tube O.D.

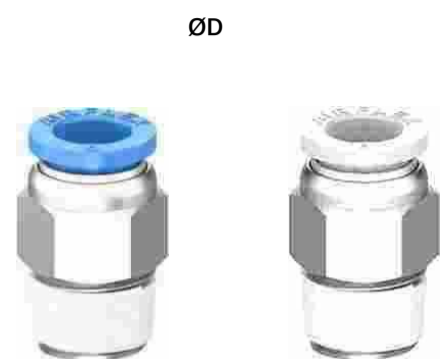
Metric Tube Size												
Code	04	05	06	07	08	09	10	11	12	14	15	16
Tube O.D.	Ø4mm	Ø5mm	Ø6mm	Ø7mm	Ø8mm	Ø9mm	Ø10mm	Ø11mm	Ø12mm	Ø14mm	Ø15mm	Ø16mm

Inch Tube Size									
Code	1/8	5/32	3/16	1/4	5/16	3/8	1/2	5/8	
Tube O.D.	Ø1/8"	Ø5/32"	Ø3/16"	Ø1/4"	Ø5/16"	Ø3/8"	Ø1/2"	Ø5/8"	

① Model

- Male Connector
- Male Elbow
- Union Straight
- ...

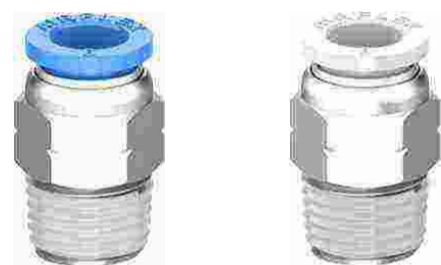
PC Male Connector 外螺纹直通



ØD

T

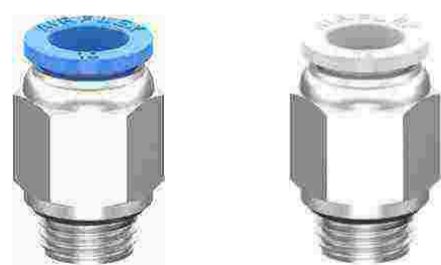
Metric Tube (ØD) - R, PT, BSPT Thread (T) 公制插管 (ØD) - R, PT, BSPT 螺纹 (T)			
PC 04-1/16	PC 07-01	PC 10-02	PC 14-02
PC 04-01	PC 07-02	PC 10-03	PC 14-03
PC 04-02	PC 07-03	PC 10-04	PC 14-04
PC 04-03	PC 07-04	PC 10-06	PC 14-06
PC 05-01	PC 08-01	PC 11-01	PC 15-02
PC 05-02	PC 08-02	PC 11-02	PC 15-03
PC 05-03	PC 08-03	PC 11-03	PC 15-04
PC 05-04	PC 08-04	PC 11-04	PC 15-06
PC 06-1/16	PC 09-01	PC 12-01	PC 16-02
PC 06-01	PC 09-02	PC 12-02	PC 16-03
PC 06-02	PC 09-03	PC 12-03	PC 16-04
PC 06-03	PC 09-04	PC 12-04	PC 16-06
PC 06-04	PC 10-01	PC 12-06	



ØD

T

Metric Tube (ØD) - NPT, UNF, UNC Thread (T) 公制插管 (ØD) - NPT, UNF, UNC 螺纹 (T)			
PC 04-U10	PC 06-N04	PC 10-N02	PC 14-N03
PC 04-N1/16	PC 07-N01	PC 10-N03	PC 14-N04
PC 04-N01	PC 07-N02	PC 10-N04	PC 14-N06
PC 04-N02	PC 07-N03	PC 10-N06	PC 15-N02
PC 04-N03	PC 07-N04	PC 11-N01	PC 15-N03
PC 05-N01	PC 08-N01	PC 11-N02	PC 15-N04
PC 05-N02	PC 08-N02	PC 11-N03	PC 15-N06
PC 05-N03	PC 08-N03	PC 11-N04	PC 16-N02
PC 05-N04	PC 08-N04	PC 12-N01	PC 16-N03
PC 06-U10	PC 09-N01	PC 12-N02	PC 16-N04
PC 06-N1/16	PC 09-N02	PC 12-N03	PC 16-N06
PC 06-N01	PC 09-N03	PC 12-N04	
PC 06-N02	PC 09-N04	PC 12-N06	
PC 06-N03	PC 10-N01	PC 14-N02	



ØD

T

Metric Tube (ØD) - G, BSPP Thread (T) 公制插管 (ØD) - G, BSPP 螺纹 (T)			
PC 04-G1/16	PC 07-G01	PC 10-G02	PC 14-G02
PC 04-G01	PC 07-G02	PC 10-G03	PC 14-G03
PC 04-G02	PC 07-G03	PC 10-G04	PC 14-G04
PC 04-G03	PC 07-G04	PC 10-G06	PC 14-G06
PC 05-G01	PC 08-G01	PC 11-G01	PC 15-G02
PC 05-G02	PC 08-G02	PC 11-G02	PC 15-G03
PC 05-G03	PC 08-G03	PC 11-G03	PC 15-G04
PC 05-G04	PC 08-G04	PC 11-G04	PC 15-G06
PC 06-G1/16	PC 09-G01	PC 12-G01	PC 16-G02
PC 06-G01	PC 09-G02	PC 12-G02	PC 16-G03
PC 06-G02	PC 09-G03	PC 12-G03	PC 16-G04
PC 06-G03	PC 09-G04	PC 12-G04	PC 16-G06
PC 06-G04	PC 10-G01	PC 12-G06	



ØD

T

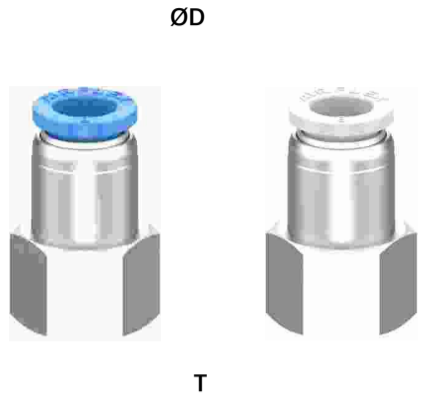
Metric Tube (ØD) - Metric Thread (T) 公制插管 (ØD) - Metric 螺纹 (T)			
PC 04-M4	PC 06-M10	PC 08-M20	PC 12-M14
PC 04-M5	PC 06-M12	PC 10-M8	PC 12-M16
PC 04-M6	PC 06-M14	PC 10-M10	PC 12-M20
PC 04-M8	PC 06-M16	PC 10-M12	PC 16-M12
PC 04-M10	PC 06-M20	PC 10-M14	PC 16-M14
PC 04-M12	PC 08-M8	PC 10-M16	PC 16-M16
PC 06-M4	PC 08-M10	PC 10-M20	PC 16-M20
PC 06-M5	PC 08-M12	PC 12-M8	
PC 06-M6	PC 08-M14	PC 12-M10	
PC 06-M8	PC 08-M16	PC 12-M12	

Inch Tube (ØD) - R, PT, BSPT Thread (T) 英制插管 (ØD) - R, PT, BSPT 螺纹 (T)		
PC 1/8-1/16	PC 1/4-1/16	PC 3/8-04
PC 1/8-01	PC 1/4-01	PC 3/8-06
PC 1/8-02	PC 1/4-02	PC 1/2-01
PC 1/8-03	PC 1/4-03	PC 1/2-02
PC 5/32-1/16	PC 1/4-04	PC 1/2-03
PC 5/32-01	PC 5/16-01	PC 1/2-04
PC 5/32-02	PC 5/16-02	PC 1/2-06
PC 5/32-03	PC 5/16-03	PC 5/8-01
PC 3/16-1/16	PC 5/16-04	PC 5/8-02
PC 3/16-01	PC 3/8-01	PC 5/8-03
PC 3/16-02	PC 3/8-02	PC 5/8-04
PC 3/16-03	PC 3/8-03	PC 5/8-06

Inch Tube (ØD) - NPT, UNF, UNC Thread (T) 英制插管 (ØD) - NPT, UNF, UNC 螺纹 (T)		
PC 1/8-U10	PC 3/16-N03	PC 3/8-N04
PC 1/8-N1/16	PC 1/4-U10	PC 3/8-N06
PC 1/8-N01	PC 1/4-N1/16	PC 1/2-N01
PC 1/8-N02	PC 1/4-N01	PC 1/2-N02
PC 1/8-N03	PC 1/4-N02	PC 1/2-N03
PC 5/32-U10	PC 1/4-N03	PC 1/2-N04
PC 5/32-N1/16	PC 1/4-N04	PC 1/2-N06
PC 5/32-N01	PC 5/16-N01	PC 5/8-N01
PC 5/32-N02	PC 5/16-N02	PC 5/8-N02
PC 5/32-N03	PC 5/16-N03	PC 5/8-N03
PC 3/16-U10	PC 5/16-N04	PC 5/8-N04
PC 3/16-N1/16	PC 3/8-N01	PC 5/8-N06
PC 3/16-N01	PC 3/8-N02	
PC 3/16-N02	PC 3/8-N03	

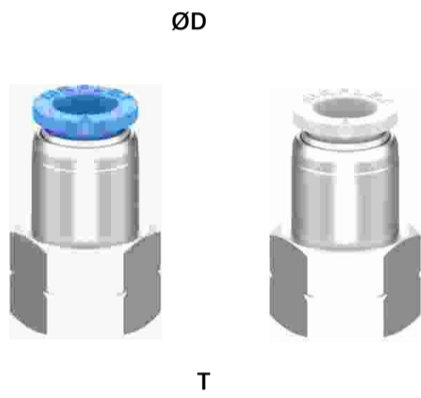
Inch Tube (ØD) - G, BSPP Thread (T) 英制插管 (ØD) - G, BSPP 螺纹 (T)		
PC 5/32-G1/16	PC 5/16-G02	PC 1/2-G03
PC 5/32-G01	PC 5/16-G03	PC 1/2-G04
PC 5/32-G02	PC 5/16-G04	PC 1/2-G06
PC 5/32-G03	PC 3/8-G01	PC 5/8-G01
PC 1/4-G1/16	PC 3/8-G02	PC 5/8-G02
PC 1/4-G01	PC 3/8-G03	PC 5/8-G03
PC 1/4-G02	PC 3/8-G04	PC 5/8-G04
PC 1/4-G03	PC 3/8-G06	PC 5/8-G06
PC 1/4-G04	PC 1/2-G01	
PC 5/16-G01	PC 1/2-G02	

Inch Tube (ØD) - Metric Thread (T) 英制插管 (ØD) - Metric 螺纹 (T)		
PC 5/32-M4	PC 1/4-M16	PC 3/8-M20
PC 5/32-M5	PC 1/4-M20	PC 1/2-M8
PC 5/32-M6	PC 5/16-M8	PC 1/2-M10
PC 5/32-M8	PC 5/16-M10	PC 1/2-M12
PC 5/32-M10	PC 5/16-M12	PC 1/2-M14
PC 5/32-M12	PC 5/16-M14	PC 1/2-M16
PC 1/4-M4	PC 5/16-M16	PC 1/2-M20
PC 1/4-M5	PC 5/16-M20	PC 5/8-M12
PC 1/4-M6	PC 3/8-M8	PC 5/8-M14
PC 1/4-M8	PC 3/8-M10	PC 5/8-M16
PC 1/4-M10	PC 3/8-M12	PC 5/8-M20
PC 1/4-M12	PC 3/8-M14	
PC 1/4-M14	PC 3/8-M16	



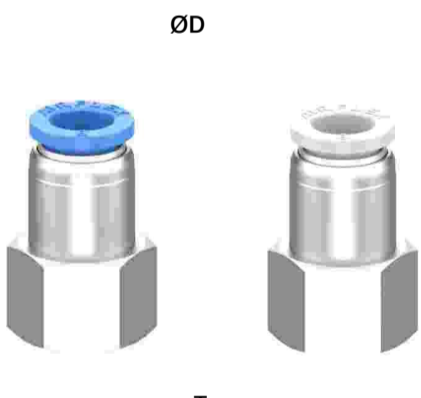
Metric Tube (ØD) - Rc, PT, BSPT Thread (T) 公制插管 (ØD) - Rc, PT, BSPT 螺纹 (T)			
PCF 04-1/16	PCF 07-01	PCF 10-02	PCF 14-02
PCF 04-01	PCF 07-02	PCF 10-03	PCF 14-03
PCF 04-02	PCF 07-03	PCF 10-04	PCF 14-04
PCF 04-03	PCF 07-04	PCF 10-06	PCF 14-06
PCF 05-01	PCF 08-01	PCF 11-01	PCF 15-02
PCF 05-02	PCF 08-02	PCF 11-02	PCF 15-03
PCF 05-03	PCF 08-03	PCF 11-03	PCF 15-04
PCF 05-04	PCF 08-04	PCF 11-04	PCF 15-06
PCF 06-1/16	PCF 09-01	PCF 12-01	PCF 16-02
PCF 06-01	PCF 09-02	PCF 12-02	PCF 16-03
PCF 06-02	PCF 09-03	PCF 12-03	PCF 16-04
PCF 06-03	PCF 09-04	PCF 12-04	PCF 16-06
PCF 06-04	PCF 10-01	PCF 12-06	

Inch Tube (ØD) - Rc, PT, BSPT Thread (T) 英制插管 (ØD) - Rc, PT, BSPT 螺纹 (T)		
PCF 1/8-1/16	PCF 1/4-1/16	PCF 3/8-04
PCF 1/8-01	PCF 1/4-01	PCF 3/8-06
PCF 1/8-02	PCF 1/4-02	PCF 1/2-01
PCF 1/8-03	PCF 1/4-03	PCF 1/2-02
PCF 5/32-1/16	PCF 1/4-04	PCF 1/2-03
PCF 5/32-01	PCF 5/16-01	PCF 1/2-04
PCF 5/32-02	PCF 5/16-02	PCF 1/2-06
PCF 5/32-03	PCF 5/16-03	PCF 5/8-01
PCF 3/16-1/16	PCF 5/16-04	PCF 5/8-02
PCF 3/16-01	PCF 3/8-01	PCF 5/8-03
PCF 3/16-02	PCF 3/8-02	PCF 5/8-04
PCF 3/16-03	PCF 3/8-03	PCF 5/8-06



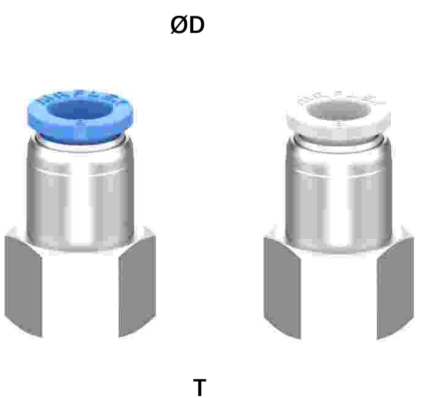
Metric Tube (ØD) - NPT, UNF, UNC Thread (T) 公制插管 (ØD) - NPT, UNF, UNC 螺纹 (T)			
PCF 04-U10	PCF 06-N04	PCF 10-N02	PCF 14-N03
PCF 04-N1/16	PCF 07-N01	PCF 10-N03	PCF 14-N04
PCF 04-N01	PCF 07-N02	PCF 10-N04	PCF 14-N06
PCF 04-N02	PCF 07-N03	PCF 10-N06	PCF 15-N02
PCF 04-N03	PCF 07-N04	PCF 11-N01	PCF 15-N03
PCF 05-N01	PCF 08-N01	PCF 11-N02	PCF 15-N04
PCF 05-N02	PCF 08-N02	PCF 11-N03	PCF 15-N06
PCF 05-N03	PCF 08-N03	PCF 11-N04	PCF 16-N02
PCF 05-N04	PCF 08-N04	PCF 12-N01	PCF 16-N03
PCF 06-U10	PCF 09-N01	PCF 12-N02	PCF 16-N04
PCF 06-N1/16	PCF 09-N02	PCF 12-N03	PCF 16-N06
PCF 06-N01	PCF 09-N03	PCF 12-N04	
PCF 06-N02	PCF 09-N04	PCF 12-N06	
PCF 06-N03	PCF 10-N01	PCF 14-N02	

Inch Tube (ØD) - NPT, UNF, UNC Thread (T) 英制插管 (ØD) - NPT, UNF, UNC 螺纹 (T)		
PCF 1/8-U10	PCF 3/16-N03	PCF 3/8-N04
PCF 1/8-N1/16	PCF 1/4-U10	PCF 3/8-N06
PCF 1/8-N01	PCF 1/4-N1/16	PCF 1/2-N01
PCF 1/8-N02	PCF 1/4-N01	PCF 1/2-N02
PCF 1/8-N03	PCF 1/4-N02	PCF 1/2-N03
PCF 5/32-U10	PCF 1/4-N03	PCF 1/2-N04
PCF 5/32-N1/16	PCF 1/4-N04	PCF 1/2-N06
PCF 5/32-N01	PCF 5/16-N01	PCF 5/8-N01
PCF 5/32-N02	PCF 5/16-N02	PCF 5/8-N02
PCF 5/32-N03	PCF 5/16-N03	PCF 5/8-N03
PCF 3/16-U10	PCF 5/16-N04	PCF 5/8-N04
PCF 3/16-N1/16	PCF 3/8-N01	PCF 5/8-N06
PCF 3/16-N01	PCF 3/8-N02	
PCF 3/16-N02	PCF 3/8-N03	



Metric Tube (ØD) - G, BSPP Thread (T) 公制插管 (ØD) - G, BSPP 螺纹 (T)			
PCF 04-G1/16	PCF 07-G01	PCF 10-G02	PCF 14-G02
PCF 04-G01	PCF 07-G02	PCF 10-G03	PCF 14-G03
PCF 04-G02	PCF 07-G03	PCF 10-G04	PCF 14-G04
PCF 04-G03	PCF 07-G04	PCF 10-G06	PCF 14-G06
PCF 05-G01	PCF 08-G01	PCF 11-G01	PCF 15-G02
PCF 05-G02	PCF 08-G02	PCF 11-G02	PCF 15-G03
PCF 05-G03	PCF 08-G03	PCF 11-G03	PCF 15-G04
PCF 05-G04	PCF 08-G04	PCF 11-G04	PCF 15-G06
PCF 06-G1/16	PCF 09-G01	PCF 12-G01	PCF 16-G02
PCF 06-G01	PCF 09-G02	PCF 12-G02	PCF 16-G03
PCF 06-G02	PCF 09-G03	PCF 12-G03	PCF 16-G04
PCF 06-G03	PCF 09-G04	PCF 12-G04	PCF 16-G06
PCF 06-G04	PCF 10-G01	PCF 12-G06	

Inch Tube (ØD) - G, BSPP Thread (T) 英制插管 (ØD) - G, BSPP 螺纹 (T)		
PCF 5/32-G1/16	PCF 5/16-G02	PCF 1/2-G03
PCF 5/32-G01	PCF 5/16-G03	PCF 1/2-G04
PCF 5/32-G02	PCF 5/16-G04	PCF 1/2-G06
PCF 5/32-G03	PCF 3/8-G01	PCF 5/8-G01
PCF 1/4-G1/16	PCF 3/8-G02	PCF 5/8-G02
PCF 1/4-G01	PCF 3/8-G03	PCF 5/8-G03
PCF 1/4-G02	PCF 3/8-G04	PCF 5/8-G04
PCF 1/4-G03	PCF 3/8-G06	PCF 5/8-G06
PCF 1/4-G04	PCF 1/2-G01	
PCF 5/16-G01	PCF 1/2-G02	



Metric Tube (ØD) - Metric Thread (T) 公制插管 (ØD) - Metric 螺纹 (T)			
PCF 04-M4	PCF 06-M10	PCF 08-M20	PCF 12-M14
PCF 04-M5	PCF 06-M12	PCF 10-M8	PCF 12-M16
PCF 04-M6	PCF 06-M14	PCF 10-M10	PCF 12-M20
PCF 04-M8	PCF 06-M16	PCF 10-M12	PCF 16-M12
PCF 04-M10	PCF 06-M20	PCF 10-M14	PCF 16-M14
PCF 04-M12	PCF 08-M8	PCF 10-M16	PCF 16-M16
PCF 06-M4	PCF 08-M10	PCF 10-M20	PCF 16-M20
PCF 06-M5	PCF 08-M12	PCF 12-M8	
PCF 06-M6	PCF 08-M14	PCF 12-M10	
PCF 06-M8	PCF 08-M16	PCF 12-M12	

Inch Tube (ØD) - Metric Thread (T) 英制插管 (ØD) - Metric 螺纹 (T)		
PCF 5/32-M4	PCF 1/4-M16	PCF 3/8-M20
PCF 5/32-M5	PCF 1/4-M20	PCF 1/2-M8
PCF 5/32-M6	PCF 5/16-M8	PCF 1/2-M10
PCF 5/32-M8	PCF 5/16-M10	PCF 1/2-M12
PCF 5/32-M10	PCF 5/16-M12	PCF 1/2-M14
PCF 5/32-M12	PCF 5/16-M14	PCF 1/2-M16
PCF 1/4-M4	PCF 5/16-M16	PCF 1/2-M20
PCF 1/4-M5	PCF 5/16-M20	PCF 5/8-M12
PCF 1/4-M6	PCF 3/8-M8	PCF 5/8-M14
PCF 1/4-M8	PCF 3/8-M10	PCF 5/8-M16
PCF 1/4-M10	PCF 3/8-M12	PCF 5/8-M20
PCF 1/4-M12	PCF 3/8-M14	
PCF 1/4-M14	PCF 3/8-M16	

PL Male ELBOW 外螺纹弯头

ØD



T

Metric Tube (ØD) - R, PT, BSPT Thread (T) 公制插管 (ØD) - R, PT, BSPT 螺纹 (T)			
PL 04-1/16	PL 07-01	PL 10-02	PL 14-02
PL 04-01	PL 07-02	PL 10-03	PL 14-03
PL 04-02	PL 07-03	PL 10-04	PL 14-04
PL 04-03	PL 07-04	PL 10-06	PL 14-06
PL 05-01	PL 08-01	PL 11-01	PL 15-02
PL 05-02	PL 08-02	PL 11-02	PL 15-03
PL 05-03	PL 08-03	PL 11-03	PL 15-04
PL 05-04	PL 08-04	PL 11-04	PL 15-06
PL 06-1/16	PL 09-01	PL 12-01	PL 16-02
PL 06-01	PL 09-02	PL 12-02	PL 16-03
PL 06-02	PL 09-03	PL 12-03	PL 16-04
PL 06-03	PL 09-04	PL 12-04	PL 16-06
PL 06-04	PL 10-01	PL 12-06	

Inch Tube (ØD) - R, PT, BSPT Thread (T) 英制插管 (ØD) - R, PT, BSPT 螺纹 (T)		
PL 1/8-1/16	PL 1/4-1/16	PL 3/8-04
PL 1/8-01	PL 1/4-01	PL 3/8-06
PL 1/8-02	PL 1/4-02	PL 1/2-01
PL 1/8-03	PL 1/4-03	PL 1/2-02
PL 5/32-1/16	PL 1/4-04	PL 1/2-03
PL 5/32-01	PL 5/16-01	PL 1/2-04
PL 5/32-02	PL 5/16-02	PL 1/2-06
PL 5/32-03	PL 5/16-03	PL 5/8-01
PL 3/16-1/16	PL 5/16-04	PL 5/8-02
PL 3/16-01	PL 3/8-01	PL 5/8-03
PL 3/16-02	PL 3/8-02	PL 5/8-04
PL 3/16-03	PL 3/8-03	PL 5/8-06

ØD



T

Metric Tube (ØD) - NPT, UNF, UNC Thread (T) 公制插管 (ØD) - NPT, UNF, UNC 螺纹 (T)			
PL 04-U10	PL 06-N04	PL 10-N02	PL 14-N03
PL 04-N1/16	PL 07-N01	PL 10-N03	PL 14-N04
PL 04-N01	PL 07-N02	PL 10-N04	PL 14-N06
PL 04-N02	PL 07-N03	PL 10-N06	PL 15-N02
PL 04-N03	PL 07-N04	PL 11-N01	PL 15-N03
PL 05-N01	PL 08-N01	PL 11-N02	PL 15-N04
PL 05-N02	PL 08-N02	PL 11-N03	PL 15-N06
PL 05-N03	PL 08-N03	PL 11-N04	PL 16-N02
PL 05-N04	PL 08-N04	PL 12-N01	PL 16-N03
PL 06-U10	PL 09-N01	PL 12-N02	PL 16-N04
PL 06-N1/16	PL 09-N02	PL 12-N03	PL 16-N06
PL 06-N01	PL 09-N03	PL 12-N04	
PL 06-N02	PL 09-N04	PL 12-N06	
PL 06-N03	PL 10-N01	PL 14-N02	

Inch Tube (ØD) - NPT, UNF, UNC Thread (T) 英制插管 (ØD) - NPT, UNF, UNC 螺纹 (T)		
PL 1/8-U10	PL 3/16-N03	PL 3/8-N04
PL 1/8-N1/16	PL 1/4-U10	PL 3/8-N06
PL 1/8-N01	PL 1/4-N1/16	PL 1/2-N01
PL 1/8-N02	PL 1/4-N01	PL 1/2-N02
PL 1/8-N03	PL 1/4-N02	PL 1/2-N03
PL 5/32-U10	PL 1/4-N03	PL 1/2-N04
PL 5/32-N1/16	PL 1/4-N04	PL 1/2-N06
PL 5/32-N01	PL 5/16-N01	PL 5/8-N01
PL 5/32-N02	PL 5/16-N02	PL 5/8-N02
PL 5/32-N03	PL 5/16-N03	PL 5/8-N03
PL 3/16-U10	PL 5/16-N04	PL 5/8-N04
PL 3/16-N1/16	PL 3/8-N01	PL 5/8-N06
PL 3/16-N01	PL 3/8-N02	
PL 3/16-N02	PL 3/8-N03	

ØD



T

Metric Tube (ØD) - G, BSPP Thread (T) 公制插管 (ØD) - G, BSPP 螺纹 (T)			
PL 04-G1/16	PL 07-G01	PL 10-G02	PL 14-G02
PL 04-G01	PL 07-G02	PL 10-G03	PL 14-G03
PL 04-G02	PL 07-G03	PL 10-G04	PL 14-G04
PL 04-G03	PL 07-G04	PL 10-G06	PL 14-G06
PL 05-G01	PL 08-G01	PL 11-G01	PL 15-G02
PL 05-G02	PL 08-G02	PL 11-G02	PL 15-G03
PL 05-G03	PL 08-G03	PL 11-G03	PL 15-G04
PL 05-G04	PL 08-G04	PL 11-G04	PL 15-G06
PL 06-G1/16	PL 09-G01	PL 12-G01	PL 16-G02
PL 06-G01	PL 09-G02	PL 12-G02	PL 16-G03
PL 06-G02	PL 09-G03	PL 12-G03	PL 16-G04
PL 06-G03	PL 09-G04	PL 12-G04	PL 16-G06
PL 06-G04	PL 10-G01	PL 12-G06	

Inch Tube (ØD) - G, BSPP Thread (T) 英制插管 (ØD) - G, BSPP 螺纹 (T)		
PL 5/32-G1/16	PL 5/16-G02	PL 1/2-G03
PL 5/32-G01	PL 5/16-G03	PL 1/2-G04
PL 5/32-G02	PL 5/16-G04	PL 1/2-G06
PL 5/32-G03	PL 3/8-G01	PL 5/8-G01
PL 1/4-G1/16	PL 3/8-G02	PL 5/8-G02
PL 1/4-G01	PL 3/8-G03	PL 5/8-G03
PL 1/4-G02	PL 3/8-G04	PL 5/8-G04
PL 1/4-G03	PL 3/8-G06	PL 5/8-G06
PL 1/4-G04	PL 1/2-G01	
PL 5/16-G01	PL 1/2-G02	

ØD



T

Metric Tube (ØD) - Metric Thread (T) 公制插管 (ØD) - Metric 螺纹 (T)			
PL 04-M4	PL 06-M10	PL 08-M20	PL 12-M14
PL 04-M5	PL 06-M12	PL 10-M8	PL 12-M16
PL 04-M6	PL 06-M14	PL 10-M10	PL 12-M20
PL 04-M8	PL 06-M16	PL 10-M12	PL 16-M12
PL 04-M10	PL 06-M20	PL 10-M14	PL 16-M14
PL 04-M12	PL 08-M8	PL 10-M16	PL 16-M16
PL 06-M4	PL 08-M10	PL 10-M20	PL 16-M20
PL 06-M5	PL 08-M12	PL 12-M8	
PL 06-M6	PL 08-M14	PL 12-M10	
PL 06-M8	PL 08-M16	PL 12-M12	

Inch Tube (ØD) - Metric Thread (T) 英制插管 (ØD) - Metric 螺纹 (T)		
PL 5/32-M4	PL 1/4-M16	PL 3/8-M20
PL 5/32-M5	PL 1/4-M20	PL 1/2-M8
PL 5/32-M6	PL 5/16-M8	PL 1/2-M10
PL 5/32-M8	PL 5/16-M10	PL 1/2-M12
PL 5/32-M10	PL 5/16-M12	PL 1/2-M14
PL 5/32-M12	PL 5/16-M14	PL 1/2-M16
PL 1/4-M4	PL 5/16-M16	PL 1/2-M20
PL 1/4-M5	PL 5/16-M20	PL 5/8-M12
PL 1/4-M6	PL 3/8-M8	PL 5/8-M14
PL 1/4-M8	PL 3/8-M10	PL 5/8-M16
PL 1/4-M10	PL 3/8-M12	PL 5/8-M20
PL 1/4-M12	PL 3/8-M14	
PL 1/4-M14	PL 3/8-M16	

PLF Female Elbow 内螺纹弯头



∅D

T

Metric Tube (∅D) - Rc, PT, BSPT Thread (T) 公制插管 (∅D) - Rc, PT, BSPT 螺纹 (T)			
PLF 04-1/16	PLF 07-01	PLF 10-02	PLF 14-02
PLF 04-01	PLF 07-02	PLF 10-03	PLF 14-03
PLF 04-02	PLF 07-03	PLF 10-04	PLF 14-04
PLF 04-03	PLF 07-04	PLF 10-06	PLF 14-06
PLF 05-01	PLF 08-01	PLF 11-01	PLF 15-02
PLF 05-02	PLF 08-02	PLF 11-02	PLF 15-03
PLF 05-03	PLF 08-03	PLF 11-03	PLF 15-04
PLF 05-04	PLF 08-04	PLF 11-04	PLF 15-06
PLF 06-1/16	PLF 09-01	PLF 12-01	PLF 16-02
PLF 06-01	PLF 09-02	PLF 12-02	PLF 16-03
PLF 06-02	PLF 09-03	PLF 12-03	PLF 16-04
PLF 06-03	PLF 09-04	PLF 12-04	PLF 16-06
PLF 06-04	PLF 10-01	PLF 12-06	

Inch Tube (∅D) - Rc, PT, BSPT Thread (T) 英制插管 (∅D) - Rc, PT, BSPT 螺纹 (T)		
PLF 1/8-1/16	PLF 1/4-1/16	PLF 3/8-04
PLF 1/8-01	PLF 1/4-01	PLF 3/8-06
PLF 1/8-02	PLF 1/4-02	PLF 1/2-01
PLF 1/8-03	PLF 1/4-03	PLF 1/2-02
PLF 5/32-1/16	PLF 1/4-04	PLF 1/2-03
PLF 5/32-01	PLF 5/16-01	PLF 1/2-04
PLF 5/32-02	PLF 5/16-02	PLF 1/2-06
PLF 5/32-03	PLF 5/16-03	PLF 5/8-01
PLF 3/16-1/16	PLF 5/16-04	PLF 5/8-02
PLF 3/16-01	PLF 3/8-01	PLF 5/8-03
PLF 3/16-02	PLF 3/8-02	PLF 5/8-04
PLF 3/16-03	PLF 3/8-03	PLF 5/8-06

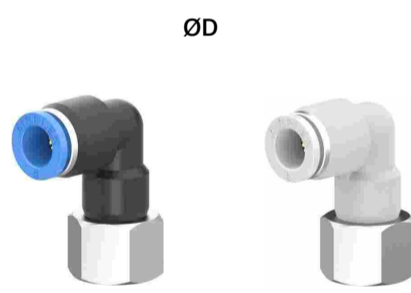


∅D

T

Metric Tube (∅D) - NPT, UNF, UNC Thread (T) 公制插管 (∅D) - NPT, UNF, UNC 螺纹 (T)			
PLF 04-U10	PLF 06-N04	PLF 10-N02	PLF 14-N03
PLF 04-N1/16	PLF 07-N01	PLF 10-N03	PLF 14-N04
PLF 04-N01	PLF 07-N02	PLF 10-N04	PLF 14-N06
PLF 04-N02	PLF 07-N03	PLF 10-N06	PLF 15-N02
PLF 04-N03	PLF 07-N04	PLF 11-N01	PLF 15-N03
PLF 05-N01	PLF 08-N01	PLF 11-N02	PLF 15-N04
PLF 05-N02	PLF 08-N02	PLF 11-N03	PLF 15-N06
PLF 05-N03	PLF 08-N03	PLF 11-N04	PLF 16-N02
PLF 05-N04	PLF 08-N04	PLF 12-N01	PLF 16-N03
PLF 06-U10	PLF 09-N01	PLF 12-N02	PLF 16-N04
PLF 06-N1/16	PLF 09-N02	PLF 12-N03	PLF 16-N06
PLF 06-N01	PLF 09-N03	PLF 12-N04	
PLF 06-N02	PLF 09-N04	PLF 12-N06	
PLF 06-N03	PLF 10-N01	PLF 14-N02	

Inch Tube (∅D) - NPT, UNF, UNC Thread (T) 英制插管 (∅D) - NPT, UNF, UNC 螺纹 (T)		
PLF 1/8-U10	PLF 3/16-N03	PLF 3/8-N04
PLF 1/8-N1/16	PLF 1/4-U10	PLF 3/8-N06
PLF 1/8-N01	PLF 1/4-N1/16	PLF 1/2-N01
PLF 1/8-N02	PLF 1/4-N01	PLF 1/2-N02
PLF 1/8-N03	PLF 1/4-N02	PLF 1/2-N03
PLF 5/32-U10	PLF 1/4-N03	PLF 1/2-N04
PLF 5/32-N1/16	PLF 1/4-N04	PLF 1/2-N06
PLF 5/32-N01	PLF 5/16-N01	PLF 5/8-N01
PLF 5/32-N02	PLF 5/16-N02	PLF 5/8-N02
PLF 5/32-N03	PLF 5/16-N03	PLF 5/8-N03
PLF 3/16-U10	PLF 5/16-N04	PLF 5/8-N04
PLF 3/16-N1/16	PLF 3/8-N01	PLF 5/8-N06
PLF 3/16-N01	PLF 3/8-N02	
PLF 3/16-N02	PLF 3/8-N03	



∅D

T

Metric Tube (∅D) - G, BSPP Thread (T) 公制插管 (∅D) - G, BSPP 螺纹 (T)			
PLF 04-G1/16	PLF 07-G01	PLF 10-G02	PLF 14-G02
PLF 04-G01	PLF 07-G02	PLF 10-G03	PLF 14-G03
PLF 04-G02	PLF 07-G03	PLF 10-G04	PLF 14-G04
PLF 04-G03	PLF 07-G04	PLF 10-G06	PLF 14-G06
PLF 05-G01	PLF 08-G01	PLF 11-G01	PLF 15-G02
PLF 05-G02	PLF 08-G02	PLF 11-G02	PLF 15-G03
PLF 05-G03	PLF 08-G03	PLF 11-G03	PLF 15-G04
PLF 05-G04	PLF 08-G04	PLF 11-G04	PLF 15-G06
PLF 06-G1/16	PLF 09-G01	PLF 12-G01	PLF 16-G02
PLF 06-G01	PLF 09-G02	PLF 12-G02	PLF 16-G03
PLF 06-G02	PLF 09-G03	PLF 12-G03	PLF 16-G04
PLF 06-G03	PLF 09-G04	PLF 12-G04	PLF 16-G06
PLF 06-G04	PLF 10-G01	PLF 12-G06	

Inch Tube (∅D) - G, BSPP Thread (T) 英制插管 (∅D) - G, BSPP 螺纹 (T)		
PLF 5/32-G1/16	PLF 5/16-G02	PLF 1/2-G03
PLF 5/32-G01	PLF 5/16-G03	PLF 1/2-G04
PLF 5/32-G02	PLF 5/16-G04	PLF 1/2-G06
PLF 5/32-G03	PLF 3/8-G01	PLF 5/8-G01
PLF 1/4-G1/16	PLF 3/8-G02	PLF 5/8-G02
PLF 1/4-G01	PLF 3/8-G03	PLF 5/8-G03
PLF 1/4-G02	PLF 3/8-G04	PLF 5/8-G04
PLF 1/4-G03	PLF 3/8-G06	PLF 5/8-G06
PLF 1/4-G04	PLF 1/2-G01	
PLF 5/16-G01	PLF 1/2-G02	



∅D

T

Metric Tube (∅D) - Metric Thread (T) 公制插管 (∅D) - Metric 螺纹 (T)			
PLF 04-M4	PLF 06-M10	PLF 08-M20	PLF 12-M14
PLF 04-M5	PLF 06-M12	PLF 10-M8	PLF 12-M16
PLF 04-M6	PLF 06-M14	PLF 10-M10	PLF 12-M20
PLF 04-M8	PLF 06-M16	PLF 10-M12	PLF 16-M12
PLF 04-M10	PLF 06-M20	PLF 10-M14	PLF 16-M14
PLF 04-M12	PLF 08-M8	PLF 10-M16	PLF 16-M16
PLF 06-M4	PLF 08-M10	PLF 10-M20	PLF 16-M20
PLF 06-M5	PLF 08-M12	PLF 12-M8	
PLF 06-M6	PLF 08-M14	PLF 12-M10	
PLF 06-M8	PLF 08-M16	PLF 12-M12	

Inch Tube (∅D) - Metric Thread (T) 英制插管 (∅D) - Metric 螺纹 (T)		
PLF 5/32-M4	PLF 1/4-M16	PLF 3/8-M20
PLF 5/32-M5	PLF 1/4-M20	PLF 1/2-M8
PLF 5/32-M6	PLF 5/16-M8	PLF 1/2-M10
PLF 5/32-M8	PLF 5/16-M10	PLF 1/2-M12
PLF 5/32-M10	PLF 5/16-M12	PLF 1/2-M14
PLF 5/32-M12	PLF 5/16-M14	PLF 1/2-M16
PLF 1/4-M4	PLF 5/16-M16	PLF 1/2-M20
PLF 1/4-M5	PLF 5/16-M20	PLF 5/8-M12
PLF 1/4-M6	PLF 3/8-M8	PLF 5/8-M14
PLF 1/4-M8	PLF 3/8-M10	PLF 5/8-M16
PLF 1/4-M10	PLF 3/8-M12	PLF 5/8-M20
PLF 1/4-M12	PLF 3/8-M14	
PLF 1/4-M14	PLF 3/8-M16	

ØD



T

Metric Tube (ØD) - R, PT, BSPT Thread (T) 公制插管 (ØD) - R, PT, BSPT 螺纹 (T)			
POC 04-1/16	POC 07-01	POC 10-02	POC 14-02
POC 04-01	POC 07-02	POC 10-03	POC 14-03
POC 04-02	POC 07-03	POC 10-04	POC 14-04
POC 04-03	POC 07-04	POC 10-06	POC 14-06
POC 05-01	POC 08-01	POC 11-01	POC 15-02
POC 05-02	POC 08-02	POC 11-02	POC 15-03
POC 05-03	POC 08-03	POC 11-03	POC 15-04
POC 05-04	POC 08-04	POC 11-04	POC 15-06
POC 06-1/16	POC 09-01	POC 12-01	POC 16-02
POC 06-01	POC 09-02	POC 12-02	POC 16-03
POC 06-02	POC 09-03	POC 12-03	POC 16-04
POC 06-03	POC 09-04	POC 12-04	POC 16-06
POC 06-04	POC 10-01	POC 12-06	

Inch Tube (ØD) - R, PT, BSPT Thread (T) 英制插管 (ØD) - R, PT, BSPT 螺纹 (T)		
POC 1/8-1/16	POC 1/4-1/16	POC 3/8-04
POC 1/8-01	POC 1/4-01	POC 3/8-06
POC 1/8-02	POC 1/4-02	POC 1/2-01
POC 1/8-03	POC 1/4-03	POC 1/2-02
POC 5/32-1/16	POC 1/4-04	POC 1/2-03
POC 5/32-01	POC 5/16-01	POC 1/2-04
POC 5/32-02	POC 5/16-02	POC 1/2-06
POC 5/32-03	POC 5/16-03	POC 5/8-01
POC 3/16-1/16	POC 5/16-04	POC 5/8-02
POC 3/16-01	POC 3/8-01	POC 5/8-03
POC 3/16-02	POC 3/8-02	POC 5/8-04
POC 3/16-03	POC 3/8-03	POC 5/8-06

ØD



T

Metric Tube (ØD) - NPT, UNF, UNC Thread (T) 公制插管 (ØD) - NPT, UNF, UNC 螺纹 (T)			
POC 04-U10	POC 06-N04	POC 10-N02	POC 14-N03
POC 04-N1/16	POC 07-N01	POC 10-N03	POC 14-N04
POC 04-N01	POC 07-N02	POC 10-N04	POC 14-N06
POC 04-N02	POC 07-N03	POC 10-N06	POC 15-N02
POC 04-N03	POC 07-N04	POC 11-N01	POC 15-N03
POC 05-N01	POC 08-N01	POC 11-N02	POC 15-N04
POC 05-N02	POC 08-N02	POC 11-N03	POC 15-N06
POC 05-N03	POC 08-N03	POC 11-N04	POC 16-N02
POC 05-N04	POC 08-N04	POC 12-N01	POC 16-N03
POC 06-U10	POC 09-N01	POC 12-N02	POC 16-N04
POC 06-N1/16	POC 09-N02	POC 12-N03	POC 16-N06
POC 06-N01	POC 09-N03	POC 12-N04	
POC 06-N02	POC 09-N04	POC 12-N06	
POC 06-N03	POC 10-N01	POC 14-N02	

Inch Tube (ØD) - NPT, UNF, UNC Thread (T) 英制插管 (ØD) - NPT, UNF, UNC 螺纹 (T)		
POC 1/8-U10	POC 3/16-N03	POC 3/8-N04
POC 1/8-N1/16	POC 1/4-U10	POC 3/8-N06
POC 1/8-N01	POC 1/4-N1/16	POC 1/2-N01
POC 1/8-N02	POC 1/4-N01	POC 1/2-N02
POC 1/8-N03	POC 1/4-N02	POC 1/2-N03
POC 5/32-U10	POC 1/4-N03	POC 1/2-N04
POC 5/32-N1/16	POC 1/4-N04	POC 1/2-N06
POC 5/32-N01	POC 5/16-N01	POC 5/8-N01
POC 5/32-N02	POC 5/16-N02	POC 5/8-N02
POC 5/32-N03	POC 5/16-N03	POC 5/8-N03
POC 3/16-U10	POC 5/16-N04	POC 5/8-N04
POC 3/16-N1/16	POC 3/8-N01	POC 5/8-N06
POC 3/16-N01	POC 3/8-N02	
POC 3/16-N02	POC 3/8-N03	

ØD



T

Metric Tube (ØD) - G, BSPP Thread (T) 公制插管 (ØD) - G, BSPP 螺纹 (T)			
POC 04-G1/16	POC 07-G01	POC 10-G02	POC 14-G02
POC 04-G01	POC 07-G02	POC 10-G03	POC 14-G03
POC 04-G02	POC 07-G03	POC 10-G04	POC 14-G04
POC 04-G03	POC 07-G04	POC 10-G06	POC 14-G06
POC 05-G01	POC 08-G01	POC 11-G01	POC 15-G02
POC 05-G02	POC 08-G02	POC 11-G02	POC 15-G03
POC 05-G03	POC 08-G03	POC 11-G03	POC 15-G04
POC 05-G04	POC 08-G04	POC 11-G04	POC 15-G06
POC 06-G1/16	POC 09-G01	POC 12-G01	POC 16-G02
POC 06-G01	POC 09-G02	POC 12-G02	POC 16-G03
POC 06-G02	POC 09-G03	POC 12-G03	POC 16-G04
POC 06-G03	POC 09-G04	POC 12-G04	POC 16-G06
POC 06-G04	POC 10-G01	POC 12-G06	

Inch Tube (ØD) - G, BSPP Thread (T) 英制插管 (ØD) - G, BSPP 螺纹 (T)		
POC 5/32-G1/16	POC 5/16-G02	POC 1/2-G03
POC 5/32-G01	POC 5/16-G03	POC 1/2-G04
POC 5/32-G02	POC 5/16-G04	POC 1/2-G06
POC 5/32-G03	POC 3/8-G01	POC 5/8-G01
POC 1/4-G1/16	POC 3/8-G02	POC 5/8-G02
POC 1/4-G01	POC 3/8-G03	POC 5/8-G03
POC 1/4-G02	POC 3/8-G04	POC 5/8-G04
POC 1/4-G03	POC 3/8-G06	POC 5/8-G06
POC 1/4-G04	POC 1/2-G01	
POC 5/16-G01	POC 1/2-G02	

ØD



T

Metric Tube (ØD) - Metric Thread (T) 公制插管 (ØD) - Metric 螺纹 (T)			
POC 04-M4	POC 06-M10	POC 08-M20	POC 12-M14
POC 04-M5	POC 06-M12	POC 10-M8	POC 12-M16
POC 04-M6	POC 06-M14	POC 10-M10	POC 12-M20
POC 04-M8	POC 06-M16	POC 10-M12	POC 16-M12
POC 04-M10	POC 06-M20	POC 10-M14	POC 16-M14
POC 04-M12	POC 08-M8	POC 10-M16	POC 16-M16
POC 06-M4	POC 08-M10	POC 10-M20	POC 16-M20
POC 06-M5	POC 08-M12	POC 12-M8	
POC 06-M6	POC 08-M14	POC 12-M10	
POC 06-M8	POC 08-M16	POC 12-M12	

Inch Tube (ØD) - Metric Thread (T) 英制插管 (ØD) - Metric 螺纹 (T)		
POC 5/32-M4	POC 1/4-M16	POC 3/8-M20
POC 5/32-M5	POC 1/4-M20	POC 1/2-M8
POC 5/32-M6	POC 5/16-M8	POC 1/2-M10
POC 5/32-M8	POC 5/16-M10	POC 1/2-M12
POC 5/32-M10	POC 5/16-M12	POC 1/2-M14
POC 5/32-M12	POC 5/16-M14	POC 1/2-M16
POC 1/4-M4	POC 5/16-M16	POC 1/2-M20
POC 1/4-M5	POC 5/16-M20	POC 5/8-M12
POC 1/4-M6	POC 3/8-M8	POC 5/8-M14
POC 1/4-M8	POC 3/8-M10	POC 5/8-M16
POC 1/4-M10	POC 3/8-M12	POC 5/8-M20
POC 1/4-M12	POC 3/8-M14	
POC 1/4-M14	POC 3/8-M16	



ØD

T

Metric Tube (ØD) - R, PT, BSPT Thread (T) 公制插管 (ØD) - R, PT, BSPT 螺纹 (T)			
PB 04-1/16	PB 07-01	PB 10-02	PB 14-02
PB 04-01	PB 07-02	PB 10-03	PB 14-03
PB 04-02	PB 07-03	PB 10-04	PB 14-04
PB 04-03	PB 07-04	PB 10-06	PB 14-06
PB 05-01	PB 08-01	PB 11-01	PB 15-02
PB 05-02	PB 08-02	PB 11-02	PB 15-03
PB 05-03	PB 08-03	PB 11-03	PB 15-04
PB 05-04	PB 08-04	PB 11-04	PB 15-06
PB 06-1/16	PB 09-01	PB 12-01	PB 16-02
PB 06-01	PB 09-02	PB 12-02	PB 16-03
PB 06-02	PB 09-03	PB 12-03	PB 16-04
PB 06-03	PB 09-04	PB 12-04	PB 16-06
PB 06-04	PB 10-01	PB 12-06	

Inch Tube (ØD) - R, PT, BSPT Thread (T) 英制插管 (ØD) - R, PT, BSPT 螺纹 (T)		
PB 1/8-1/16	PB 1/4-1/16	PB 3/8-04
PB 1/8-01	PB 1/4-01	PB 3/8-06
PB 1/8-02	PB 1/4-02	PB 1/2-01
PB 1/8-03	PB 1/4-03	PB 1/2-02
PB 5/32-1/16	PB 1/4-04	PB 1/2-03
PB 5/32-01	PB 5/16-01	PB 1/2-04
PB 5/32-02	PB 5/16-02	PB 1/2-06
PB 5/32-03	PB 5/16-03	PB 5/8-01
PB 3/16-1/16	PB 5/16-04	PB 5/8-02
PB 3/16-01	PB 3/8-01	PB 5/8-03
PB 3/16-02	PB 3/8-02	PB 5/8-04
PB 3/16-03	PB 3/8-03	PB 5/8-06



ØD

T

Metric Tube (ØD) - NPT, UNF, UNC Thread (T) 公制插管 (ØD) - NPT, UNF, UNC 螺纹 (T)			
PB 04-U10	PB 06-N04	PB 10-N02	PB 14-N03
PB 04-N1/16	PB 07-N01	PB 10-N03	PB 14-N04
PB 04-N01	PB 07-N02	PB 10-N04	PB 14-N06
PB 04-N02	PB 07-N03	PB 10-N06	PB 15-N02
PB 04-N03	PB 07-N04	PB 11-N01	PB 15-N03
PB 05-N01	PB 08-N01	PB 11-N02	PB 15-N04
PB 05-N02	PB 08-N02	PB 11-N03	PB 15-N06
PB 05-N03	PB 08-N03	PB 11-N04	PB 16-N02
PB 05-N04	PB 08-N04	PB 12-N01	PB 16-N03
PB 06-U10	PB 09-N01	PB 12-N02	PB 16-N04
PB 06-N1/16	PB 09-N02	PB 12-N03	PB 16-N06
PB 06-N01	PB 09-N03	PB 12-N04	
PB 06-N02	PB 09-N04	PB 12-N06	
PB 06-N03	PB 10-N01	PB 14-N02	

Inch Tube (ØD) - NPT, UNF, UNC Thread (T) 英制插管 (ØD) - NPT, UNF, UNC 螺纹 (T)		
PB 1/8-U10	PB 3/16-N03	PB 3/8-N04
PB 1/8-N1/16	PB 1/4-U10	PB 3/8-N06
PB 1/8-N01	PB 1/4-N1/16	PB 1/2-N01
PB 1/8-N02	PB 1/4-N01	PB 1/2-N02
PB 1/8-N03	PB 1/4-N02	PB 1/2-N03
PB 5/32-U10	PB 1/4-N03	PB 1/2-N04
PB 5/32-N1/16	PB 1/4-N04	PB 1/2-N06
PB 5/32-N01	PB 5/16-N01	PB 5/8-N01
PB 5/32-N02	PB 5/16-N02	PB 5/8-N02
PB 5/32-N03	PB 5/16-N03	PB 5/8-N03
PB 3/16-U10	PB 5/16-N04	PB 5/8-N04
PB 3/16-N1/16	PB 3/8-N01	PB 5/8-N06
PB 3/16-N01	PB 3/8-N02	
PB 3/16-N02	PB 3/8-N03	



ØD

T

Metric Tube (ØD) - G, BSPP Thread (T) 公制插管 (ØD) - G, BSPP 螺纹 (T)			
PB 04-G1/16	PB 07-G01	PB 10-G02	PB 14-G02
PB 04-G01	PB 07-G02	PB 10-G03	PB 14-G03
PB 04-G02	PB 07-G03	PB 10-G04	PB 14-G04
PB 04-G03	PB 07-G04	PB 10-G06	PB 14-G06
PB 05-G01	PB 08-G01	PB 11-G01	PB 15-G02
PB 05-G02	PB 08-G02	PB 11-G02	PB 15-G03
PB 05-G03	PB 08-G03	PB 11-G03	PB 15-G04
PB 05-G04	PB 08-G04	PB 11-G04	PB 15-G06
PB 06-G1/16	PB 09-G01	PB 12-G01	PB 16-G02
PB 06-G01	PB 09-G02	PB 12-G02	PB 16-G03
PB 06-G02	PB 09-G03	PB 12-G03	PB 16-G04
PB 06-G03	PB 09-G04	PB 12-G04	PB 16-G06
PB 06-G04	PB 10-G01	PB 12-G06	

Inch Tube (ØD) - G, BSPP Thread (T) 英制插管 (ØD) - G, BSPP 螺纹 (T)		
PB 5/32-G1/16	PB 5/16-G02	PB 1/2-G03
PB 5/32-G01	PB 5/16-G03	PB 1/2-G04
PB 5/32-G02	PB 5/16-G04	PB 1/2-G06
PB 5/32-G03	PB 3/8-G01	PB 5/8-G01
PB 1/4-G1/16	PB 3/8-G02	PB 5/8-G02
PB 1/4-G01	PB 3/8-G03	PB 5/8-G03
PB 1/4-G02	PB 3/8-G04	PB 5/8-G04
PB 1/4-G03	PB 3/8-G06	PB 5/8-G06
PB 1/4-G04	PB 1/2-G01	
PB 5/16-G01	PB 1/2-G02	



ØD

T

Metric Tube (ØD) - Metric Thread (T) 公制插管 (ØD) - Metric 螺纹 (T)			
PB 04-M4	PB 06-M10	PB 08-M20	PB 12-M14
PB 04-M5	PB 06-M12	PB 10-M8	PB 12-M16
PB 04-M6	PB 06-M14	PB 10-M10	PB 12-M20
PB 04-M8	PB 06-M16	PB 10-M12	PB 16-M12
PB 04-M10	PB 06-M20	PB 10-M14	PB 16-M14
PB 04-M12	PB 08-M8	PB 10-M16	PB 16-M16
PB 06-M4	PB 08-M10	PB 10-M20	PB 16-M20
PB 06-M5	PB 08-M12	PB 12-M8	
PB 06-M6	PB 08-M14	PB 12-M10	
PB 06-M8	PB 08-M16	PB 12-M12	

Inch Tube (ØD) - Metric Thread (T) 英制插管 (ØD) - Metric 螺纹 (T)		
PB 5/32-M4	PB 1/4-M16	PB 3/8-M20
PB 5/32-M5	PB 1/4-M20	PB 1/2-M8
PB 5/32-M6	PB 5/16-M8	PB 1/2-M10
PB 5/32-M8	PB 5/16-M10	PB 1/2-M12
PB 5/32-M10	PB 5/16-M12	PB 1/2-M14
PB 5/32-M12	PB 5/16-M14	PB 1/2-M16
PB 1/4-M4	PB 5/16-M16	PB 1/2-M20
PB 1/4-M5	PB 5/16-M20	PB 5/8-M12
PB 1/4-M6	PB 3/8-M8	PB 5/8-M14
PB 1/4-M8	PB 3/8-M10	PB 5/8-M16
PB 1/4-M10	PB 3/8-M12	PB 5/8-M20
PB 1/4-M12	PB 3/8-M14	
PB 1/4-M14	PB 3/8-M16	



ØD

T

Metric Tube (ØD) - Rc, PT, BSPT Thread (T) 公制插管 (ØD) - Rc, PT, BSPT 螺纹 (T)			
PBF 04-1/16	PBF 07-01	PBF 10-02	PBF 14-02
PBF 04-01	PBF 07-02	PBF 10-03	PBF 14-03
PBF 04-02	PBF 07-03	PBF 10-04	PBF 14-04
PBF 04-03	PBF 07-04	PBF 10-06	PBF 14-06
PBF 05-01	PBF 08-01	PBF 11-01	PBF 15-02
PBF 05-02	PBF 08-02	PBF 11-02	PBF 15-03
PBF 05-03	PBF 08-03	PBF 11-03	PBF 15-04
PBF 05-04	PBF 08-04	PBF 11-04	PBF 15-06
PBF 06-1/16	PBF 09-01	PBF 12-01	PBF 16-02
PBF 06-01	PBF 09-02	PBF 12-02	PBF 16-03
PBF 06-02	PBF 09-03	PBF 12-03	PBF 16-04
PBF 06-03	PBF 09-04	PBF 12-04	PBF 16-06
PBF 06-04	PBF 10-01	PBF 12-06	



ØD

T

Metric Tube (ØD) - NPT, UNF, UNC Thread (T) 公制插管 (ØD) - NPT, UNF, UNC 螺纹 (T)			
PBF 04-U10	PBF 06-N04	PBF 10-N02	PBF 14-N03
PBF 04-N1/16	PBF 07-N01	PBF 10-N03	PBF 14-N04
PBF 04-N01	PBF 07-N02	PBF 10-N04	PBF 14-N06
PBF 04-N02	PBF 07-N03	PBF 10-N06	PBF 15-N02
PBF 04-N03	PBF 07-N04	PBF 11-N01	PBF 15-N03
PBF 05-N01	PBF 08-N01	PBF 11-N02	PBF 15-N04
PBF 05-N02	PBF 08-N02	PBF 11-N03	PBF 15-N06
PBF 05-N03	PBF 08-N03	PBF 11-N04	PBF 16-N02
PBF 05-N04	PBF 08-N04	PBF 12-N01	PBF 16-N03
PBF 06-U10	PBF 09-N01	PBF 12-N02	PBF 16-N04
PBF 06-N1/16	PBF 09-N02	PBF 12-N03	PBF 16-N06
PBF 06-N01	PBF 09-N03	PBF 12-N04	
PBF 06-N02	PBF 09-N04	PBF 12-N06	
PBF 06-N03	PBF 10-N01	PBF 14-N02	



ØD

T

Metric Tube (ØD) - G, BSPP Thread (T) 公制插管 (ØD) - G, BSPP 螺纹 (T)			
PBF 04-G1/16	PBF 07-G01	PBF 10-G02	PBF 14-G02
PBF 04-G01	PBF 07-G02	PBF 10-G03	PBF 14-G03
PBF 04-G02	PBF 07-G03	PBF 10-G04	PBF 14-G04
PBF 04-G03	PBF 07-G04	PBF 10-G06	PBF 14-G06
PBF 05-G01	PBF 08-G01	PBF 11-G01	PBF 15-G02
PBF 05-G02	PBF 08-G02	PBF 11-G02	PBF 15-G03
PBF 05-G03	PBF 08-G03	PBF 11-G03	PBF 15-G04
PBF 05-G04	PBF 08-G04	PBF 11-G04	PBF 15-G06
PBF 06-G1/16	PBF 09-G01	PBF 12-G01	PBF 16-G02
PBF 06-G01	PBF 09-G02	PBF 12-G02	PBF 16-G03
PBF 06-G02	PBF 09-G03	PBF 12-G03	PBF 16-G04
PBF 06-G03	PBF 09-G04	PBF 12-G04	PBF 16-G06
PBF 06-G04	PBF 10-G01	PBF 12-G06	



ØD

T

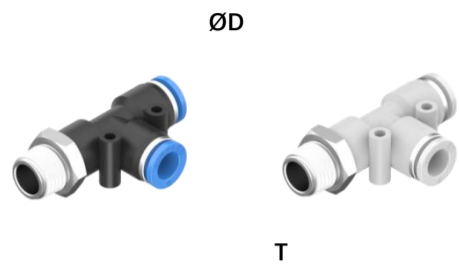
Metric Tube (ØD) - Metric Thread (T) 公制插管 (ØD) - Metric 螺纹 (T)			
PBF 04-M4	PBF 06-M10	PBF 08-M20	PBF 12-M14
PBF 04-M5	PBF 06-M12	PBF 10-M8	PBF 12-M16
PBF 04-M6	PBF 06-M14	PBF 10-M10	PBF 12-M20
PBF 04-M8	PBF 06-M16	PBF 10-M12	PBF 16-M12
PBF 04-M10	PBF 06-M20	PBF 10-M14	PBF 16-M14
PBF 04-M12	PBF 08-M8	PBF 10-M16	PBF 16-M16
PBF 06-M4	PBF 08-M10	PBF 10-M20	PBF 16-M20
PBF 06-M5	PBF 08-M12	PBF 12-M8	
PBF 06-M6	PBF 08-M14	PBF 12-M10	
PBF 06-M8	PBF 08-M16	PBF 12-M12	

Inch Tube (ØD) - Rc, PT, BSPT Thread (T) 英制插管 (ØD) - Rc, PT, BSPT 螺纹 (T)		
PBF 1/8-1/16	PBF 1/4-1/16	PBF 3/8-04
PBF 1/8-01	PBF 1/4-01	PBF 3/8-06
PBF 1/8-02	PBF 1/4-02	PBF 1/2-01
PBF 1/8-03	PBF 1/4-03	PBF 1/2-02
PBF 5/32-1/16	PBF 1/4-04	PBF 1/2-03
PBF 5/32-01	PBF 5/16-01	PBF 1/2-04
PBF 5/32-02	PBF 5/16-02	PBF 1/2-06
PBF 5/32-03	PBF 5/16-03	PBF 5/8-01
PBF 3/16-1/16	PBF 5/16-04	PBF 5/8-02
PBF 3/16-01	PBF 3/8-01	PBF 5/8-03
PBF 3/16-02	PBF 3/8-02	PBF 5/8-04
PBF 3/16-03	PBF 3/8-03	PBF 5/8-06

Inch Tube (ØD) - NPT, UNF, UNC Thread (T) 英制插管 (ØD) - NPT, UNF, UNC 螺纹 (T)		
PBF 1/8-U10	PBF 3/16-N03	PBF 3/8-N04
PBF 1/8-N1/16	PBF 1/4-U10	PBF 3/8-N06
PBF 1/8-N01	PBF 1/4-N1/16	PBF 1/2-N01
PBF 1/8-N02	PBF 1/4-N01	PBF 1/2-N02
PBF 1/8-N03	PBF 1/4-N02	PBF 1/2-N03
PBF 5/32-U10	PBF 1/4-N03	PBF 1/2-N04
PBF 5/32-N1/16	PBF 1/4-N04	PBF 1/2-N06
PBF 5/32-N01	PBF 5/16-N01	PBF 5/8-N01
PBF 5/32-N02	PBF 5/16-N02	PBF 5/8-N02
PBF 5/32-N03	PBF 5/16-N03	PBF 5/8-N03
PBF 3/16-U10	PBF 5/16-N04	PBF 5/8-N04
PBF 3/16-N1/16	PBF 3/8-N01	PBF 5/8-N06
PBF 3/16-N01	PBF 3/8-N02	
PBF 3/16-N02	PBF 3/8-N03	

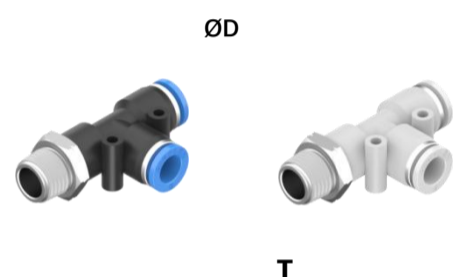
Inch Tube (ØD) - G, BSPP Thread (T) 英制插管 (ØD) - G, BSPP 螺纹 (T)		
PBF 5/32-G1/16	PBF 5/16-G02	PBF 1/2-G03
PBF 5/32-G01	PBF 5/16-G03	PBF 1/2-G04
PBF 5/32-G02	PBF 5/16-G04	PBF 1/2-G06
PBF 5/32-G03	PBF 3/8-G01	PBF 5/8-G01
PBF 1/4-G1/16	PBF 3/8-G02	PBF 5/8-G02
PBF 1/4-G01	PBF 3/8-G03	PBF 5/8-G03
PBF 1/4-G02	PBF 3/8-G04	PBF 5/8-G04
PBF 1/4-G03	PBF 3/8-G06	PBF 5/8-G06
PBF 1/4-G04	PBF 1/2-G01	
PBF 5/16-G01	PBF 1/2-G02	

Inch Tube (ØD) - Metric Thread (T) 英制插管 (ØD) - Metric 螺纹 (T)		
PBF 5/32-M4	PBF 1/4-M16	PBF 3/8-M20
PBF 5/32-M5	PBF 1/4-M20	PBF 1/2-M8
PBF 5/32-M6	PBF 5/16-M8	PBF 1/2-M10
PBF 5/32-M8	PBF 5/16-M10	PBF 1/2-M12
PBF 5/32-M10	PBF 5/16-M12	PBF 1/2-M14
PBF 5/32-M12	PBF 5/16-M14	PBF 1/2-M16
PBF 1/4-M4	PBF 5/16-M16	PBF 1/2-M20
PBF 1/4-M5	PBF 5/16-M20	PBF 5/8-M12
PBF 1/4-M6	PBF 3/8-M8	PBF 5/8-M14
PBF 1/4-M8	PBF 3/8-M10	PBF 5/8-M16
PBF 1/4-M10	PBF 3/8-M12	PBF 5/8-M20
PBF 1/4-M12	PBF 3/8-M14	
PBF 1/4-M14	PBF 3/8-M16	



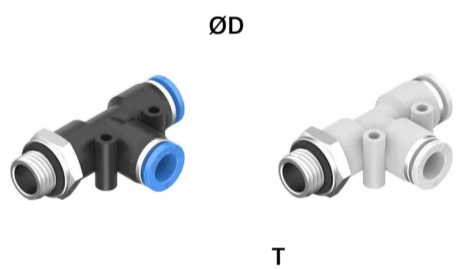
Metric Tube (ØD) - R, PT, BSPT Thread (T) 公制插管 (ØD) - R, PT, BSPT 螺纹 (T)			
PD 04-1/16	PD 07-01	PD 10-02	PD 14-02
PD 04-01	PD 07-02	PD 10-03	PD 14-03
PD 04-02	PD 07-03	PD 10-04	PD 14-04
PD 04-03	PD 07-04	PD 10-06	PD 14-06
PD 05-01	PD 08-01	PD 11-01	PD 15-02
PD 05-02	PD 08-02	PD 11-02	PD 15-03
PD 05-03	PD 08-03	PD 11-03	PD 15-04
PD 05-04	PD 08-04	PD 11-04	PD 15-06
PD 06-1/16	PD 09-01	PD 12-01	PD 16-02
PD 06-01	PD 09-02	PD 12-02	PD 16-03
PD 06-02	PD 09-03	PD 12-03	PD 16-04
PD 06-03	PD 09-04	PD 12-04	PD 16-06
PD 06-04	PD 10-01	PD 12-06	

Inch Tube (ØD) - R, PT, BSPT Thread (T) 英制插管 (ØD) - R, PT, BSPT 螺纹 (T)		
PD 1/8-1/16	PD 1/4-1/16	PD 3/8-04
PD 1/8-01	PD 1/4-01	PD 3/8-06
PD 1/8-02	PD 1/4-02	PD 1/2-01
PD 1/8-03	PD 1/4-03	PD 1/2-02
PD 5/32-1/16	PD 1/4-04	PD 1/2-03
PD 5/32-01	PD 5/16-01	PD 1/2-04
PD 5/32-02	PD 5/16-02	PD 1/2-06
PD 5/32-03	PD 5/16-03	PD 5/8-01
PD 3/16-1/16	PD 5/16-04	PD 5/8-02
PD 3/16-01	PD 3/8-01	PD 5/8-03
PD 3/16-02	PD 3/8-02	PD 5/8-04
PD 3/16-03	PD 3/8-03	PD 5/8-06



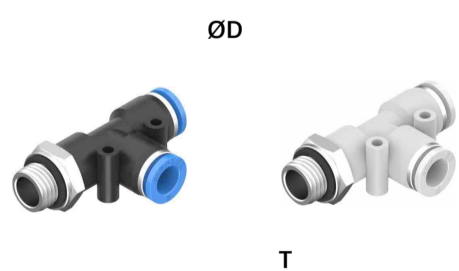
Metric Tube (ØD) - NPT, UNF, UNC Thread (T) 公制插管 (ØD) - NPT, UNF, UNC 螺纹 (T)			
PD 04-U10	PD 06-N04	PD 10-N02	PD 14-N03
PD 04-N1/16	PD 07-N01	PD 10-N03	PD 14-N04
PD 04-N01	PD 07-N02	PD 10-N04	PD 14-N06
PD 04-N02	PD 07-N03	PD 10-N06	PD 15-N02
PD 04-N03	PD 07-N04	PD 11-N01	PD 15-N03
PD 05-N01	PD 08-N01	PD 11-N02	PD 15-N04
PD 05-N02	PD 08-N02	PD 11-N03	PD 15-N06
PD 05-N03	PD 08-N03	PD 11-N04	PD 16-N02
PD 05-N04	PD 08-N04	PD 12-N01	PD 16-N03
PD 06-U10	PD 09-N01	PD 12-N02	PD 16-N04
PD 06-N1/16	PD 09-N02	PD 12-N03	PD 16-N06
PD 06-N01	PD 09-N03	PD 12-N04	
PD 06-N02	PD 09-N04	PD 12-N06	
PD 06-N03	PD 10-N01	PD 14-N02	

Inch Tube (ØD) - NPT, UNF, UNC Thread (T) 英制插管 (ØD) - NPT, UNF, UNC 螺纹 (T)		
PD 1/8-U10	PD 3/16-N03	PD 3/8-N04
PD 1/8-N1/16	PD 1/4-U10	PD 3/8-N06
PD 1/8-N01	PD 1/4-N1/16	PD 1/2-N01
PD 1/8-N02	PD 1/4-N01	PD 1/2-N02
PD 1/8-N03	PD 1/4-N02	PD 1/2-N03
PD 5/32-U10	PD 1/4-N03	PD 1/2-N04
PD 5/32-N1/16	PD 1/4-N04	PD 1/2-N06
PD 5/32-N01	PD 5/16-N01	PD 5/8-N01
PD 5/32-N02	PD 5/16-N02	PD 5/8-N02
PD 5/32-N03	PD 5/16-N03	PD 5/8-N03
PD 3/16-U10	PD 5/16-N04	PD 5/8-N04
PD 3/16-N1/16	PD 3/8-N01	PD 5/8-N06
PD 3/16-N01	PD 3/8-N02	
PD 3/16-N02	PD 3/8-N03	



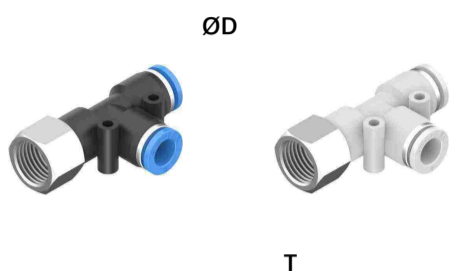
Metric Tube (ØD) - G, BSPP Thread (T) 公制插管 (ØD) - G, BSPP 螺纹 (T)			
PD 04-G1/16	PD 07-G01	PD 10-G02	PD 14-G02
PD 04-G01	PD 07-G02	PD 10-G03	PD 14-G03
PD 04-G02	PD 07-G03	PD 10-G04	PD 14-G04
PD 04-G03	PD 07-G04	PD 10-G06	PD 14-G06
PD 05-G01	PD 08-G01	PD 11-G01	PD 15-G02
PD 05-G02	PD 08-G02	PD 11-G02	PD 15-G03
PD 05-G03	PD 08-G03	PD 11-G03	PD 15-G04
PD 05-G04	PD 08-G04	PD 11-G04	PD 15-G06
PD 06-G1/16	PD 09-G01	PD 12-G01	PD 16-G02
PD 06-G01	PD 09-G02	PD 12-G02	PD 16-G03
PD 06-G02	PD 09-G03	PD 12-G03	PD 16-G04
PD 06-G03	PD 09-G04	PD 12-G04	PD 16-G06
PD 06-G04	PD 10-G01	PD 12-G06	

Inch Tube (ØD) - G, BSPP Thread (T) 英制插管 (ØD) - G, BSPP 螺纹 (T)		
PD 5/32-G1/16	PD 5/16-G02	PD 1/2-G03
PD 5/32-G01	PD 5/16-G03	PD 1/2-G04
PD 5/32-G02	PD 5/16-G04	PD 1/2-G06
PD 5/32-G03	PD 3/8-G01	PD 5/8-G01
PD 1/4-G1/16	PD 3/8-G02	PD 5/8-G02
PD 1/4-G01	PD 3/8-G03	PD 5/8-G03
PD 1/4-G02	PD 3/8-G04	PD 5/8-G04
PD 1/4-G03	PD 3/8-G06	PD 5/8-G06
PD 1/4-G04	PD 1/2-G01	
PD 5/16-G01	PD 1/2-G02	



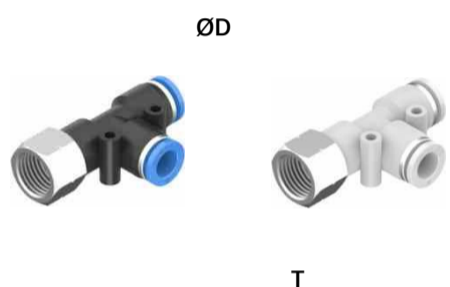
Metric Tube (ØD) - Metric Thread (T) 公制插管 (ØD) - Metric 螺纹 (T)			
PD 04-M4	PD 06-M10	PD 08-M20	PD 12-M14
PD 04-M5	PD 06-M12	PD 10-M8	PD 12-M16
PD 04-M6	PD 06-M14	PD 10-M10	PD 12-M20
PD 04-M8	PD 06-M16	PD 10-M12	PD 16-M12
PD 04-M10	PD 06-M20	PD 10-M14	PD 16-M14
PD 04-M12	PD 08-M8	PD 10-M16	PD 16-M16
PD 06-M4	PD 08-M10	PD 10-M20	PD 16-M20
PD 06-M5	PD 08-M12	PD 12-M8	
PD 06-M6	PD 08-M14	PD 12-M10	
PD 06-M8	PD 08-M16	PD 12-M12	

Inch Tube (ØD) - Metric Thread (T) 英制插管 (ØD) - Metric 螺纹 (T)		
PD 5/32-M4	PD 1/4-M16	PD 3/8-M20
PD 5/32-M5	PD 1/4-M20	PD 1/2-M8
PD 5/32-M6	PD 5/16-M8	PD 1/2-M10
PD 5/32-M8	PD 5/16-M10	PD 1/2-M12
PD 5/32-M10	PD 5/16-M12	PD 1/2-M14
PD 5/32-M12	PD 5/16-M14	PD 1/2-M16
PD 1/4-M4	PD 5/16-M16	PD 1/2-M20
PD 1/4-M5	PD 5/16-M20	PD 5/8-M12
PD 1/4-M6	PD 3/8-M8	PD 5/8-M14
PD 1/4-M8	PD 3/8-M10	PD 5/8-M16
PD 1/4-M10	PD 3/8-M12	PD 5/8-M20
PD 1/4-M12	PD 3/8-M14	
PD 1/4-M14	PD 3/8-M16	



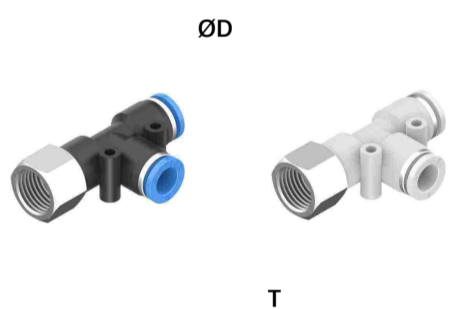
Metric Tube (ØD) - Rc, PT, BSPT Thread (T) 公制插管 (ØD) - Rc, PT, BSPT 螺纹 (T)			
PDF 04-1/16	PDF 07-01	PDF 10-02	PDF 14-02
PDF 04-01	PDF 07-02	PDF 10-03	PDF 14-03
PDF 04-02	PDF 07-03	PDF 10-04	PDF 14-04
PDF 04-03	PDF 07-04	PDF 10-06	PDF 14-06
PDF 05-01	PDF 08-01	PDF 11-01	PDF 15-02
PDF 05-02	PDF 08-02	PDF 11-02	PDF 15-03
PDF 05-03	PDF 08-03	PDF 11-03	PDF 15-04
PDF 05-04	PDF 08-04	PDF 11-04	PDF 15-06
PDF 06-1/16	PDF 09-01	PDF 12-01	PDF 16-02
PDF 06-01	PDF 09-02	PDF 12-02	PDF 16-03
PDF 06-02	PDF 09-03	PDF 12-03	PDF 16-04
PDF 06-03	PDF 09-04	PDF 12-04	PDF 16-06
PDF 06-04	PDF 10-01	PDF 12-06	

Inch Tube (ØD) - Rc, PT, BSPT Thread (T) 英制插管 (ØD) - Rc, PT, BSPT 螺纹 (T)		
PDF 1/8-1/16	PDF 1/4-1/16	PDF 3/8-04
PDF 1/8-01	PDF 1/4-01	PDF 3/8-06
PDF 1/8-02	PDF 1/4-02	PDF 1/2-01
PDF 1/8-03	PDF 1/4-03	PDF 1/2-02
PDF 5/32-1/16	PDF 1/4-04	PDF 1/2-03
PDF 5/32-01	PDF 5/16-01	PDF 1/2-04
PDF 5/32-02	PDF 5/16-02	PDF 1/2-06
PDF 5/32-03	PDF 5/16-03	PDF 5/8-01
PDF 3/16-1/16	PDF 5/16-04	PDF 5/8-02
PDF 3/16-01	PDF 3/8-01	PDF 5/8-03
PDF 3/16-02	PDF 3/8-02	PDF 5/8-04
PDF 3/16-03	PDF 3/8-03	PDF 5/8-06



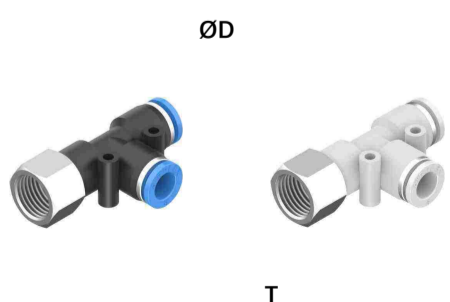
Metric Tube (ØD) - NPT, UNF, UNC Thread (T) 公制插管 (ØD) - NPT, UNF, UNC 螺纹 (T)			
PDF 04-U10	PDF 06-N04	PDF 10-N02	PDF 14-N03
PDF 04-N1/16	PDF 07-N01	PDF 10-N03	PDF 14-N04
PDF 04-N01	PDF 07-N02	PDF 10-N04	PDF 14-N06
PDF 04-N02	PDF 07-N03	PDF 10-N06	PDF 15-N02
PDF 04-N03	PDF 07-N04	PDF 11-N01	PDF 15-N03
PDF 05-N01	PDF 08-N01	PDF 11-N02	PDF 15-N04
PDF 05-N02	PDF 08-N02	PDF 11-N03	PDF 15-N06
PDF 05-N03	PDF 08-N03	PDF 11-N04	PDF 16-N02
PDF 05-N04	PDF 08-N04	PDF 12-N01	PDF 16-N03
PDF 06-U10	PDF 09-N01	PDF 12-N02	PDF 16-N04
PDF 06-N1/16	PDF 09-N02	PDF 12-N03	PDF 16-N06
PDF 06-N01	PDF 09-N03	PDF 12-N04	
PDF 06-N02	PDF 09-N04	PDF 12-N06	
PDF 06-N03	PDF 10-N01	PDF 14-N02	

Inch Tube (ØD) - NPT, UNF, UNC Thread (T) 英制插管 (ØD) - NPT, UNF, UNC 螺纹 (T)		
PDF 1/8-U10	PDF 3/16-N03	PDF 3/8-N04
PDF 1/8-N1/16	PDF 1/4-U10	PDF 3/8-N06
PDF 1/8-N01	PDF 1/4-N1/16	PDF 1/2-N01
PDF 1/8-N02	PDF 1/4-N01	PDF 1/2-N02
PDF 1/8-N03	PDF 1/4-N02	PDF 1/2-N03
PDF 5/32-U10	PDF 1/4-N03	PDF 1/2-N04
PDF 5/32-N1/16	PDF 1/4-N04	PDF 1/2-N06
PDF 5/32-N01	PDF 5/16-N01	PDF 5/8-N01
PDF 5/32-N02	PDF 5/16-N02	PDF 5/8-N02
PDF 5/32-N03	PDF 5/16-N03	PDF 5/8-N03
PDF 3/16-U10	PDF 5/16-N04	PDF 5/8-N04
PDF 3/16-N1/16	PDF 3/8-N01	PDF 5/8-N06
PDF 3/16-N01	PDF 3/8-N02	
PDF 3/16-N02	PDF 3/8-N03	



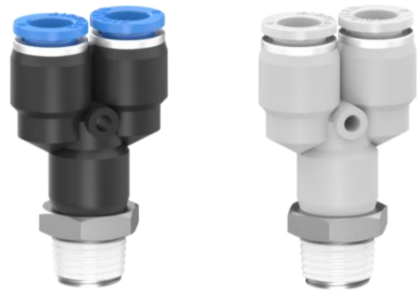
Metric Tube (ØD) - G, BSPP Thread (T) 公制插管 (ØD) - G, BSPP 螺纹 (T)			
PDF 04-G1/16	PDF 07-G01	PDF 10-G02	PDF 14-G02
PDF 04-G01	PDF 07-G02	PDF 10-G03	PDF 14-G03
PDF 04-G02	PDF 07-G03	PDF 10-G04	PDF 14-G04
PDF 04-G03	PDF 07-G04	PDF 10-G06	PDF 14-G06
PDF 05-G01	PDF 08-G01	PDF 11-G01	PDF 15-G02
PDF 05-G02	PDF 08-G02	PDF 11-G02	PDF 15-G03
PDF 05-G03	PDF 08-G03	PDF 11-G03	PDF 15-G04
PDF 05-G04	PDF 08-G04	PDF 11-G04	PDF 15-G06
PDF 06-G1/16	PDF 09-G01	PDF 12-G01	PDF 16-G02
PDF 06-G01	PDF 09-G02	PDF 12-G02	PDF 16-G03
PDF 06-G02	PDF 09-G03	PDF 12-G03	PDF 16-G04
PDF 06-G03	PDF 09-G04	PDF 12-G04	PDF 16-G06
PDF 06-G04	PDF 10-G01	PDF 12-G06	

Inch Tube (ØD) - G, BSPP Thread (T) 英制插管 (ØD) - G, BSPP 螺纹 (T)		
PDF 5/32-G1/16	PDF 5/16-G02	PDF 1/2-G03
PDF 5/32-G01	PDF 5/16-G03	PDF 1/2-G04
PDF 5/32-G02	PDF 5/16-G04	PDF 1/2-G06
PDF 5/32-G03	PDF 3/8-G01	PDF 5/8-G01
PDF 1/4-G1/16	PDF 3/8-G02	PDF 5/8-G02
PDF 1/4-G01	PDF 3/8-G03	PDF 5/8-G03
PDF 1/4-G02	PDF 3/8-G04	PDF 5/8-G04
PDF 1/4-G03	PDF 3/8-G06	PDF 5/8-G06
PDF 1/4-G04	PDF 1/2-G01	
PDF 5/16-G01	PDF 1/2-G02	



Metric Tube (ØD) - Metric Thread (T) 公制插管 (ØD) - Metric 螺纹 (T)			
PDF 04-M4	PDF 06-M10	PDF 08-M20	PDF 12-M14
PDF 04-M5	PDF 06-M12	PDF 10-M8	PDF 12-M16
PDF 04-M6	PDF 06-M14	PDF 10-M10	PDF 12-M20
PDF 04-M8	PDF 06-M16	PDF 10-M12	PDF 16-M12
PDF 04-M10	PDF 06-M20	PDF 10-M14	PDF 16-M14
PDF 04-M12	PDF 08-M8	PDF 10-M16	PDF 16-M16
PDF 06-M4	PDF 08-M10	PDF 10-M20	PDF 16-M20
PDF 06-M5	PDF 08-M12	PDF 12-M8	
PDF 06-M6	PDF 08-M14	PDF 12-M10	
PDF 06-M8	PDF 08-M16	PDF 12-M12	

Inch Tube (ØD) - Metric Thread (T) 英制插管 (ØD) - Metric 螺纹 (T)		
PDF 5/32-M4	PDF 1/4-M16	PDF 3/8-M20
PDF 5/32-M5	PDF 1/4-M20	PDF 1/2-M8
PDF 5/32-M6	PDF 5/16-M8	PDF 1/2-M10
PDF 5/32-M8	PDF 5/16-M10	PDF 1/2-M12
PDF 5/32-M10	PDF 5/16-M12	PDF 1/2-M14
PDF 5/32-M12	PDF 5/16-M14	PDF 1/2-M16
PDF 1/4-M4	PDF 5/16-M16	PDF 1/2-M20
PDF 1/4-M5	PDF 5/16-M20	PDF 5/8-M12
PDF 1/4-M6	PDF 3/8-M8	PDF 5/8-M14
PDF 1/4-M8	PDF 3/8-M10	PDF 5/8-M16
PDF 1/4-M10	PDF 3/8-M12	PDF 5/8-M20
PDF 1/4-M12	PDF 3/8-M14	
PDF 1/4-M14	PDF 3/8-M16	


ØD
T

Metric Tube (ØD) - R, PT, BSPT Thread (T) 公制插管 (ØD) - R, PT, BSPT 螺纹 (T)			
PX 04-1/16	PX 07-01	PX 10-02	PX 14-02
PX 04-01	PX 07-02	PX 10-03	PX 14-03
PX 04-02	PX 07-03	PX 10-04	PX 14-04
PX 04-03	PX 07-04	PX 10-06	PX 14-06
PX 05-01	PX 08-01	PX 11-01	PX 15-02
PX 05-02	PX 08-02	PX 11-02	PX 15-03
PX 05-03	PX 08-03	PX 11-03	PX 15-04
PX 05-04	PX 08-04	PX 11-04	PX 15-06
PX 06-1/16	PX 09-01	PX 12-01	PX 16-02
PX 06-01	PX 09-02	PX 12-02	PX 16-03
PX 06-02	PX 09-03	PX 12-03	PX 16-04
PX 06-03	PX 09-04	PX 12-04	PX 16-06
PX 06-04	PX 10-01	PX 12-06	

Inch Tube (ØD) - R, PT, BSPT Thread (T) 英制插管 (ØD) - R, PT, BSPT 螺纹 (T)		
PX 1/8-1/16	PX 1/4-1/16	PX 3/8-04
PX 1/8-01	PX 1/4-01	PX 3/8-06
PX 1/8-02	PX 1/4-02	PX 1/2-01
PX 1/8-03	PX 1/4-03	PX 1/2-02
PX 5/32-1/16	PX 1/4-04	PX 1/2-03
PX 5/32-01	PX 5/16-01	PX 1/2-04
PX 5/32-02	PX 5/16-02	PX 1/2-06
PX 5/32-03	PX 5/16-03	PX 5/8-01
PX 3/16-1/16	PX 5/16-04	PX 5/8-02
PX 3/16-01	PX 3/8-01	PX 5/8-03
PX 3/16-02	PX 3/8-02	PX 5/8-04
PX 3/16-03	PX 3/8-03	PX 5/8-06


ØD
T

Metric Tube (ØD) - NPT, UNF, UNC Thread (T) 公制插管 (ØD) - NPT, UNF, UNC 螺纹 (T)			
PX 04-U10	PX 06-N04	PX 10-N02	PX 14-N03
PX 04-N1/16	PX 07-N01	PX 10-N03	PX 14-N04
PX 04-N01	PX 07-N02	PX 10-N04	PX 14-N06
PX 04-N02	PX 07-N03	PX 10-N06	PX 15-N02
PX 04-N03	PX 07-N04	PX 11-N01	PX 15-N03
PX 05-N01	PX 08-N01	PX 11-N02	PX 15-N04
PX 05-N02	PX 08-N02	PX 11-N03	PX 15-N06
PX 05-N03	PX 08-N03	PX 11-N04	PX 16-N02
PX 05-N04	PX 08-N04	PX 12-N01	PX 16-N03
PX 06-U10	PX 09-N01	PX 12-N02	PX 16-N04
PX 06-N1/16	PX 09-N02	PX 12-N03	PX 16-N06
PX 06-N01	PX 09-N03	PX 12-N04	
PX 06-N02	PX 09-N04	PX 12-N06	
PX 06-N03	PX 10-N01	PX 14-N02	

Inch Tube (ØD) - NPT, UNF, UNC Thread (T) 英制插管 (ØD) - NPT, UNF, UNC 螺纹 (T)		
PX 1/8-U10	PX 3/16-N03	PX 3/8-N04
PX 1/8-N1/16	PX 1/4-U10	PX 3/8-N06
PX 1/8-N01	PX 1/4-N1/16	PX 1/2-N01
PX 1/8-N02	PX 1/4-N01	PX 1/2-N02
PX 1/8-N03	PX 1/4-N02	PX 1/2-N03
PX 5/32-U10	PX 1/4-N03	PX 1/2-N04
PX 5/32-N1/16	PX 1/4-N04	PX 1/2-N06
PX 5/32-N01	PX 5/16-N01	PX 5/8-N01
PX 5/32-N02	PX 5/16-N02	PX 5/8-N02
PX 5/32-N03	PX 5/16-N03	PX 5/8-N03
PX 3/16-U10	PX 5/16-N04	PX 5/8-N04
PX 3/16-N1/16	PX 3/8-N01	PX 5/8-N06
PX 3/16-N01	PX 3/8-N02	
PX 3/16-N02	PX 3/8-N03	


ØD
T

Metric Tube (ØD) - G, BSPP Thread (T) 公制插管 (ØD) - G, BSPP 螺纹 (T)			
PX 04-G1/16	PX 07-G01	PX 10-G02	PX 14-G02
PX 04-G01	PX 07-G02	PX 10-G03	PX 14-G03
PX 04-G02	PX 07-G03	PX 10-G04	PX 14-G04
PX 04-G03	PX 07-G04	PX 10-G06	PX 14-G06
PX 05-G01	PX 08-G01	PX 11-G01	PX 15-G02
PX 05-G02	PX 08-G02	PX 11-G02	PX 15-G03
PX 05-G03	PX 08-G03	PX 11-G03	PX 15-G04
PX 05-G04	PX 08-G04	PX 11-G04	PX 15-G06
PX 06-G1/16	PX 09-G01	PX 12-G01	PX 16-G02
PX 06-G01	PX 09-G02	PX 12-G02	PX 16-G03
PX 06-G02	PX 09-G03	PX 12-G03	PX 16-G04
PX 06-G03	PX 09-G04	PX 12-G04	PX 16-G06
PX 06-G04	PX 10-G01	PX 12-G06	

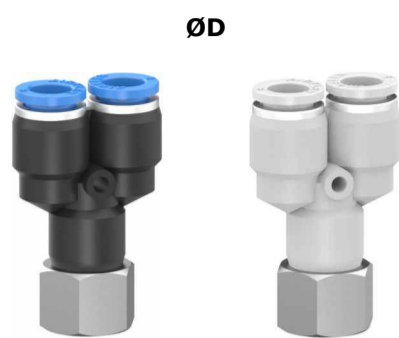
Inch Tube (ØD) - G, BSPP Thread (T) 英制插管 (ØD) - G, BSPP 螺纹 (T)		
PX 5/32-G1/16	PX 5/16-G02	PX 1/2-G03
PX 5/32-G01	PX 5/16-G03	PX 1/2-G04
PX 5/32-G02	PX 5/16-G04	PX 1/2-G06
PX 5/32-G03	PX 3/8-G01	PX 5/8-G01
PX 1/4-G1/16	PX 3/8-G02	PX 5/8-G02
PX 1/4-G01	PX 3/8-G03	PX 5/8-G03
PX 1/4-G02	PX 3/8-G04	PX 5/8-G04
PX 1/4-G03	PX 3/8-G06	PX 5/8-G06
PX 1/4-G04	PX 1/2-G01	
PX 5/16-G01	PX 1/2-G02	


ØD
T

Metric Tube (ØD) - Metric Thread (T) 公制插管 (ØD) - Metric 螺纹 (T)			
PX 04-M4	PX 06-M10	PX 08-M20	PX 12-M14
PX 04-M5	PX 06-M12	PX 10-M8	PX 12-M16
PX 04-M6	PX 06-M14	PX 10-M10	PX 12-M20
PX 04-M8	PX 06-M16	PX 10-M12	PX 16-M12
PX 04-M10	PX 06-M20	PX 10-M14	PX 16-M14
PX 04-M12	PX 08-M8	PX 10-M16	PX 16-M16
PX 06-M4	PX 08-M10	PX 10-M20	PX 16-M20
PX 06-M5	PX 08-M12	PX 12-M8	
PX 06-M6	PX 08-M14	PX 12-M10	
PX 06-M8	PX 08-M16	PX 12-M12	

Inch Tube (ØD) - Metric Thread (T) 英制插管 (ØD) - Metric 螺纹 (T)		
PX 5/32-M4	PX 1/4-M16	PX 3/8-M20
PX 5/32-M5	PX 1/4-M20	PX 1/2-M8
PX 5/32-M6	PX 5/16-M8	PX 1/2-M10
PX 5/32-M8	PX 5/16-M10	PX 1/2-M12
PX 5/32-M10	PX 5/16-M12	PX 1/2-M14
PX 5/32-M12	PX 5/16-M14	PX 1/2-M16
PX 1/4-M4	PX 5/16-M16	PX 1/2-M20
PX 1/4-M5	PX 5/16-M20	PX 5/8-M12
PX 1/4-M6	PX 3/8-M8	PX 5/8-M14
PX 1/4-M8	PX 3/8-M10	PX 5/8-M16
PX 1/4-M10	PX 3/8-M12	PX 5/8-M20
PX 1/4-M12	PX 3/8-M14	
PX 1/4-M14	PX 3/8-M16	

PXF Female Y 内螺纹 Y 型三通

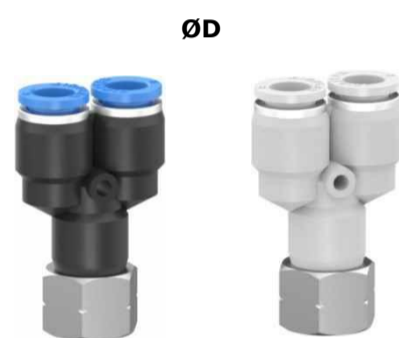


ØD

T

Metric Tube (ØD) - Rc, PT, BSPT Thread (T) 公制插管 (ØD) - Rc, PT, BSPT 螺纹 (T)			
PXF 04-1/16	PXF 07-01	PXF 10-02	PXF 14-02
PXF 04-01	PXF 07-02	PXF 10-03	PXF 14-03
PXF 04-02	PXF 07-03	PXF 10-04	PXF 14-04
PXF 04-03	PXF 07-04	PXF 10-06	PXF 14-06
PXF 05-01	PXF 08-01	PXF 11-01	PXF 15-02
PXF 05-02	PXF 08-02	PXF 11-02	PXF 15-03
PXF 05-03	PXF 08-03	PXF 11-03	PXF 15-04
PXF 05-04	PXF 08-04	PXF 11-04	PXF 15-06
PXF 06-1/16	PXF 09-01	PXF 12-01	PXF 16-02
PXF 06-01	PXF 09-02	PXF 12-02	PXF 16-03
PXF 06-02	PXF 09-03	PXF 12-03	PXF 16-04
PXF 06-03	PXF 09-04	PXF 12-04	PXF 16-06
PXF 06-04	PXF 10-01	PXF 12-06	

Inch Tube (ØD) - Rc, PT, BSPT Thread (T) 英制插管 (ØD) - Rc, PT, BSPT 螺纹 (T)		
PXF 1/8-1/16	PXF 1/4-1/16	PXF 3/8-04
PXF 1/8-01	PXF 1/4-01	PXF 3/8-06
PXF 1/8-02	PXF 1/4-02	PXF 1/2-01
PXF 1/8-03	PXF 1/4-03	PXF 1/2-02
PXF 5/32-1/16	PXF 1/4-04	PXF 1/2-03
PXF 5/32-01	PXF 5/16-01	PXF 1/2-04
PXF 5/32-02	PXF 5/16-02	PXF 1/2-06
PXF 5/32-03	PXF 5/16-03	PXF 5/8-01
PXF 3/16-1/16	PXF 5/16-04	PXF 5/8-02
PXF 3/16-01	PXF 3/8-01	PXF 5/8-03
PXF 3/16-02	PXF 3/8-02	PXF 5/8-04
PXF 3/16-03	PXF 3/8-03	PXF 5/8-06

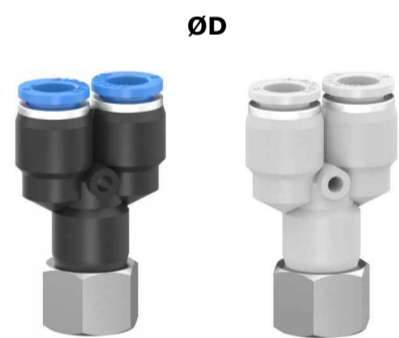


ØD

T

Metric Tube (ØD) - NPT, UNF, UNC Thread (T) 公制插管 (ØD) - NPT, UNF, UNC 螺纹 (T)			
PXF 04-U10	PXF 06-N04	PXF 10-N02	PXF 14-N03
PXF 04-N1/16	PXF 07-N01	PXF 10-N03	PXF 14-N04
PXF 04-N01	PXF 07-N02	PXF 10-N04	PXF 14-N06
PXF 04-N02	PXF 07-N03	PXF 10-N06	PXF 15-N02
PXF 04-N03	PXF 07-N04	PXF 11-N01	PXF 15-N03
PXF 05-N01	PXF 08-N01	PXF 11-N02	PXF 15-N04
PXF 05-N02	PXF 08-N02	PXF 11-N03	PXF 15-N06
PXF 05-N03	PXF 08-N03	PXF 11-N04	PXF 16-N02
PXF 05-N04	PXF 08-N04	PXF 12-N01	PXF 16-N03
PXF 06-U10	PXF 09-N01	PXF 12-N02	PXF 16-N04
PXF 06-N1/16	PXF 09-N02	PXF 12-N03	PXF 16-N06
PXF 06-N01	PXF 09-N03	PXF 12-N04	
PXF 06-N02	PXF 09-N04	PXF 12-N06	
PXF 06-N03	PXF 10-N01	PXF 14-N02	

Inch Tube (ØD) - NPT, UNF, UNC Thread (T) 英制插管 (ØD) - NPT, UNF, UNC 螺纹 (T)		
PXF 1/8-U10	PXF 3/16-N03	PXF 3/8-N04
PXF 1/8-N1/16	PXF 1/4-U10	PXF 3/8-N06
PXF 1/8-N01	PXF 1/4-N1/16	PXF 1/2-N01
PXF 1/8-N02	PXF 1/4-N01	PXF 1/2-N02
PXF 1/8-N03	PXF 1/4-N02	PXF 1/2-N03
PXF 5/32-U10	PXF 1/4-N03	PXF 1/2-N04
PXF 5/32-N1/16	PXF 1/4-N04	PXF 1/2-N06
PXF 5/32-N01	PXF 5/16-N01	PXF 5/8-N01
PXF 5/32-N02	PXF 5/16-N02	PXF 5/8-N02
PXF 5/32-N03	PXF 5/16-N03	PXF 5/8-N03
PXF 3/16-U10	PXF 5/16-N04	PXF 5/8-N04
PXF 3/16-N1/16	PXF 3/8-N01	PXF 5/8-N06
PXF 3/16-N01	PXF 3/8-N02	
PXF 3/16-N02	PXF 3/8-N03	

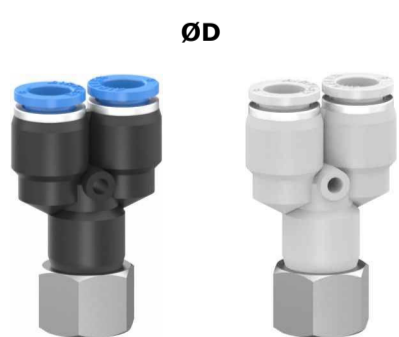


ØD

T

Metric Tube (ØD) - G, BSPP Thread (T) 公制插管 (ØD) - G, BSPP 螺纹 (T)			
PXF 04-G1/16	PXF 07-G01	PXF 10-G02	PXF 14-G02
PXF 04-G01	PXF 07-G02	PXF 10-G03	PXF 14-G03
PXF 04-G02	PXF 07-G03	PXF 10-G04	PXF 14-G04
PXF 04-G03	PXF 07-G04	PXF 10-G06	PXF 14-G06
PXF 05-G01	PXF 08-G01	PXF 11-G01	PXF 15-G02
PXF 05-G02	PXF 08-G02	PXF 11-G02	PXF 15-G03
PXF 05-G03	PXF 08-G03	PXF 11-G03	PXF 15-G04
PXF 05-G04	PXF 08-G04	PXF 11-G04	PXF 15-G06
PXF 06-G1/16	PXF 09-G01	PXF 12-G01	PXF 16-G02
PXF 06-G01	PXF 09-G02	PXF 12-G02	PXF 16-G03
PXF 06-G02	PXF 09-G03	PXF 12-G03	PXF 16-G04
PXF 06-G03	PXF 09-G04	PXF 12-G04	PXF 16-G06
PXF 06-G04	PXF 10-G01	PXF 12-G06	

Inch Tube (ØD) - G, BSPP Thread (T) 英制插管 (ØD) - G, BSPP 螺纹 (T)		
PXF 5/32-G1/16	PXF 5/16-G02	PXF 1/2-G03
PXF 5/32-G01	PXF 5/16-G03	PXF 1/2-G04
PXF 5/32-G02	PXF 5/16-G04	PXF 1/2-G06
PXF 5/32-G03	PXF 3/8-G01	PXF 5/8-G01
PXF 1/4-G1/16	PXF 3/8-G02	PXF 5/8-G02
PXF 1/4-G01	PXF 3/8-G03	PXF 5/8-G03
PXF 1/4-G02	PXF 3/8-G04	PXF 5/8-G04
PXF 1/4-G03	PXF 3/8-G06	PXF 5/8-G06
PXF 1/4-G04	PXF 1/2-G01	
PXF 5/16-G01	PXF 1/2-G02	



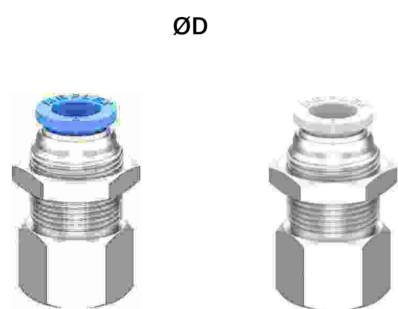
ØD

T

Metric Tube (ØD) - Metric Thread (T) 公制插管 (ØD) - Metric 螺纹 (T)			
PXF 04-M4	PXF 06-M10	PXF 08-M20	PXF 12-M14
PXF 04-M5	PXF 06-M12	PXF 10-M8	PXF 12-M16
PXF 04-M6	PXF 06-M14	PXF 10-M10	PXF 12-M20
PXF 04-M8	PXF 06-M16	PXF 10-M12	PXF 16-M12
PXF 04-M10	PXF 06-M20	PXF 10-M14	PXF 16-M14
PXF 04-M12	PXF 08-M8	PXF 10-M16	PXF 16-M16
PXF 06-M4	PXF 08-M10	PXF 10-M20	PXF 16-M20
PXF 06-M5	PXF 08-M12	PXF 12-M8	
PXF 06-M6	PXF 08-M14	PXF 12-M10	
PXF 06-M8	PXF 08-M16	PXF 12-M12	

Inch Tube (ØD) - Metric Thread (T) 英制插管 (ØD) - Metric 螺纹 (T)		
PXF 5/32-M4	PXF 1/4-M16	PXF 3/8-M20
PXF 5/32-M5	PXF 1/4-M20	PXF 1/2-M8
PXF 5/32-M6	PXF 5/16-M8	PXF 1/2-M10
PXF 5/32-M8	PXF 5/16-M10	PXF 1/2-M12
PXF 5/32-M10	PXF 5/16-M12	PXF 1/2-M14
PXF 5/32-M12	PXF 5/16-M14	PXF 1/2-M16
PXF 1/4-M4	PXF 5/16-M16	PXF 1/2-M20
PXF 1/4-M5	PXF 5/16-M20	PXF 5/8-M12
PXF 1/4-M6	PXF 3/8-M8	PXF 5/8-M14
PXF 1/4-M8	PXF 3/8-M10	PXF 5/8-M16
PXF 1/4-M10	PXF 3/8-M12	PXF 5/8-M20
PXF 1/4-M12	PXF 3/8-M14	
PXF 1/4-M14	PXF 3/8-M16	

PMF Bulkhead Female Connector 隔板内螺纹直通



∅D

T

Metric Tube (∅D) - Rc, PT, BSPT Thread (T) 公制插管 (∅D) - Rc, PT, BSPT 螺纹 (T)			
PMF 04-1/16	PMF 07-01	PMF 10-02	PMF 14-02
PMF 04-01	PMF 07-02	PMF 10-03	PMF 14-03
PMF 04-02	PMF 07-03	PMF 10-04	PMF 14-04
PMF 04-03	PMF 07-04	PMF 10-06	PMF 14-06
PMF 05-01	PMF 08-01	PMF 11-01	PMF 15-02
PMF 05-02	PMF 08-02	PMF 11-02	PMF 15-03
PMF 05-03	PMF 08-03	PMF 11-03	PMF 15-04
PMF 05-04	PMF 08-04	PMF 11-04	PMF 15-06
PMF 06-1/16	PMF 09-01	PMF 12-01	PMF 16-02
PMF 06-01	PMF 09-02	PMF 12-02	PMF 16-03
PMF 06-02	PMF 09-03	PMF 12-03	PMF 16-04
PMF 06-03	PMF 09-04	PMF 12-04	PMF 16-06
PMF 06-04	PMF 10-01	PMF 12-06	

Inch Tube (∅D) - Rc, PT, BSPT Thread (T) 英制插管 (∅D) - Rc, PT, BSPT 螺纹 (T)		
PMF 1/8-1/16	PMF 1/4-1/16	PMF 3/8-04
PMF 1/8-01	PMF 1/4-01	PMF 3/8-06
PMF 1/8-02	PMF 1/4-02	PMF 1/2-01
PMF 1/8-03	PMF 1/4-03	PMF 1/2-02
PMF 5/32-1/16	PMF 1/4-04	PMF 1/2-03
PMF 5/32-01	PMF 5/16-01	PMF 1/2-04
PMF 5/32-02	PMF 5/16-02	PMF 1/2-06
PMF 5/32-03	PMF 5/16-03	PMF 5/8-01
PMF 3/16-1/16	PMF 5/16-04	PMF 5/8-02
PMF 3/16-01	PMF 3/8-01	PMF 5/8-03
PMF 3/16-02	PMF 3/8-02	PMF 5/8-04
PMF 3/16-03	PMF 3/8-03	PMF 5/8-06

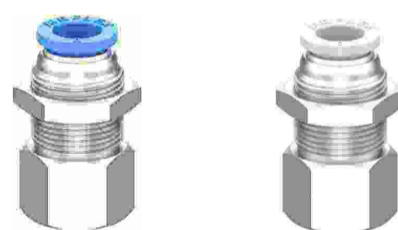


∅D

T

Metric Tube (∅D) - NPT, UNF, UNC Thread (T) 公制插管 (∅D) - NPT, UNF, UNC 螺纹 (T)			
PMF 04-U10	PMF 06-N04	PMF 10-N02	PMF 14-N03
PMF 04-N1/16	PMF 07-N01	PMF 10-N03	PMF 14-N04
PMF 04-N01	PMF 07-N02	PMF 10-N04	PMF 14-N06
PMF 04-N02	PMF 07-N03	PMF 10-N06	PMF 15-N02
PMF 04-N03	PMF 07-N04	PMF 11-N01	PMF 15-N03
PMF 05-N01	PMF 08-N01	PMF 11-N02	PMF 15-N04
PMF 05-N02	PMF 08-N02	PMF 11-N03	PMF 15-N06
PMF 05-N03	PMF 08-N03	PMF 11-N04	PMF 16-N02
PMF 05-N04	PMF 08-N04	PMF 12-N01	PMF 16-N03
PMF 06-U10	PMF 09-N01	PMF 12-N02	PMF 16-N04
PMF 06-N1/16	PMF 09-N02	PMF 12-N03	PMF 16-N06
PMF 06-N01	PMF 09-N03	PMF 12-N04	
PMF 06-N02	PMF 09-N04	PMF 12-N06	
PMF 06-N03	PMF 10-N01	PMF 14-N02	

Inch Tube (∅D) - NPT, UNF, UNC Thread (T) 英制插管 (∅D) - NPT, UNF, UNC 螺纹 (T)		
PMF 1/8-U10	PMF 3/16-N03	PMF 3/8-N04
PMF 1/8-N1/16	PMF 1/4-U10	PMF 3/8-N06
PMF 1/8-N01	PMF 1/4-N1/16	PMF 1/2-N01
PMF 1/8-N02	PMF 1/4-N01	PMF 1/2-N02
PMF 1/8-N03	PMF 1/4-N02	PMF 1/2-N03
PMF 5/32-U10	PMF 1/4-N03	PMF 1/2-N04
PMF 5/32-N1/16	PMF 1/4-N04	PMF 1/2-N06
PMF 5/32-N01	PMF 5/16-N01	PMF 5/8-N01
PMF 5/32-N02	PMF 5/16-N02	PMF 5/8-N02
PMF 5/32-N03	PMF 5/16-N03	PMF 5/8-N03
PMF 3/16-U10	PMF 5/16-N04	PMF 5/8-N04
PMF 3/16-N1/16	PMF 3/8-N01	PMF 5/8-N06
PMF 3/16-N01	PMF 3/8-N02	
PMF 3/16-N02	PMF 3/8-N03	

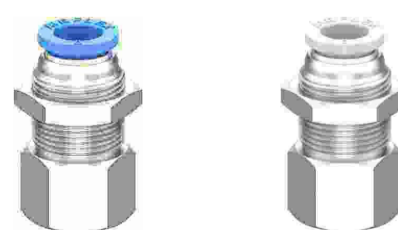


∅D

T

Metric Tube (∅D) - G, BSPP Thread (T) 公制插管 (∅D) - G, BSPP 螺纹 (T)			
PMF 04-G1/16	PMF 07-G01	PMF 10-G02	PMF 14-G02
PMF 04-G01	PMF 07-G02	PMF 10-G03	PMF 14-G03
PMF 04-G02	PMF 07-G03	PMF 10-G04	PMF 14-G04
PMF 04-G03	PMF 07-G04	PMF 10-G06	PMF 14-G06
PMF 05-G01	PMF 08-G01	PMF 11-G01	PMF 15-G02
PMF 05-G02	PMF 08-G02	PMF 11-G02	PMF 15-G03
PMF 05-G03	PMF 08-G03	PMF 11-G03	PMF 15-G04
PMF 05-G04	PMF 08-G04	PMF 11-G04	PMF 15-G06
PMF 06-G1/16	PMF 09-G01	PMF 12-G01	PMF 16-G02
PMF 06-G01	PMF 09-G02	PMF 12-G02	PMF 16-G03
PMF 06-G02	PMF 09-G03	PMF 12-G03	PMF 16-G04
PMF 06-G03	PMF 09-G04	PMF 12-G04	PMF 16-G06
PMF 06-G04	PMF 10-G01	PMF 12-G06	

Inch Tube (∅D) - G, BSPP Thread (T) 英制插管 (∅D) - G, BSPP 螺纹 (T)		
PMF 5/32-G1/16	PMF 5/16-G02	PMF 1/2-G03
PMF 5/32-G01	PMF 5/16-G03	PMF 1/2-G04
PMF 5/32-G02	PMF 5/16-G04	PMF 1/2-G06
PMF 5/32-G03	PMF 3/8-G01	PMF 5/8-G01
PMF 1/4-G1/16	PMF 3/8-G02	PMF 5/8-G02
PMF 1/4-G01	PMF 3/8-G03	PMF 5/8-G03
PMF 1/4-G02	PMF 3/8-G04	PMF 5/8-G04
PMF 1/4-G03	PMF 3/8-G06	PMF 5/8-G06
PMF 1/4-G04	PMF 1/2-G01	
PMF 5/16-G01	PMF 1/2-G02	



∅D

T

Metric Tube (∅D) - Metric Thread (T) 公制插管 (∅D) - Metric 螺纹 (T)			
PMF 04-M4	PMF 06-M10	PMF 08-M20	PMF 12-M14
PMF 04-M5	PMF 06-M12	PMF 10-M8	PMF 12-M16
PMF 04-M6	PMF 06-M14	PMF 10-M10	PMF 12-M20
PMF 04-M8	PMF 06-M16	PMF 10-M12	PMF 16-M12
PMF 04-M10	PMF 06-M20	PMF 10-M14	PMF 16-M14
PMF 04-M12	PMF 08-M8	PMF 10-M16	PMF 16-M16
PMF 06-M4	PMF 08-M10	PMF 10-M20	PMF 16-M20
PMF 06-M5	PMF 08-M12	PMF 12-M8	
PMF 06-M6	PMF 08-M14	PMF 12-M10	
PMF 06-M8	PMF 08-M16	PMF 12-M12	

Inch Tube (∅D) - Metric Thread (T) 英制插管 (∅D) - Metric 螺纹 (T)		
PMF 5/32-M4	PMF 1/4-M16	PMF 3/8-M20
PMF 5/32-M5	PMF 1/4-M20	PMF 1/2-M8
PMF 5/32-M6	PMF 5/16-M8	PMF 1/2-M10
PMF 5/32-M8	PMF 5/16-M10	PMF 1/2-M12
PMF 5/32-M10	PMF 5/16-M12	PMF 1/2-M14
PMF 5/32-M12	PMF 5/16-M14	PMF 1/2-M16
PMF 1/4-M4	PMF 5/16-M16	PMF 1/2-M20
PMF 1/4-M5	PMF 5/16-M20	PMF 5/8-M12
PMF 1/4-M6	PMF 3/8-M8	PMF 5/8-M14
PMF 1/4-M8	PMF 3/8-M10	PMF 5/8-M16
PMF 1/4-M10	PMF 3/8-M12	PMF 5/8-M20
PMF 1/4-M12	PMF 3/8-M14	
PMF 1/4-M14	PMF 3/8-M16	

PLL Extended Male Elbow 加长外螺纹弯头



ØD

T

Metric Tube (ØD) - R, PT, BSPT Thread (T) 公制插管 (ØD) - R, PT, BSPT 螺纹 (T)			
PLL 04-1/16	PLL 07-01	PLL 10-02	PLL 14-02
PLL 04-01	PLL 07-02	PLL 10-03	PLL 14-03
PLL 04-02	PLL 07-03	PLL 10-04	PLL 14-04
PLL 04-03	PLL 07-04	PLL 10-06	PLL 14-06
PLL 05-01	PLL 08-01	PLL 11-01	PLL 15-02
PLL 05-02	PLL 08-02	PLL 11-02	PLL 15-03
PLL 05-03	PLL 08-03	PLL 11-03	PLL 15-04
PLL 05-04	PLL 08-04	PLL 11-04	PLL 15-06
PLL 06-1/16	PLL 09-01	PLL 12-01	PLL 16-02
PLL 06-01	PLL 09-02	PLL 12-02	PLL 16-03
PLL 06-02	PLL 09-03	PLL 12-03	PLL 16-04
PLL 06-03	PLL 09-04	PLL 12-04	PLL 16-06
PLL 06-04	PLL 10-01	PLL 12-06	



ØD

T

Metric Tube (ØD) - NPT, UNF, UNC Thread (T) 公制插管 (ØD) - NPT, UNF, UNC 螺纹 (T)			
PLL 04-U10	PLL 06-N04	PLL 10-N02	PLL 14-N03
PLL 04-N1/16	PLL 07-N01	PLL 10-N03	PLL 14-N04
PLL 04-N01	PLL 07-N02	PLL 10-N04	PLL 14-N06
PLL 04-N02	PLL 07-N03	PLL 10-N06	PLL 15-N02
PLL 04-N03	PLL 07-N04	PLL 11-N01	PLL 15-N03
PLL 05-N01	PLL 08-N01	PLL 11-N02	PLL 15-N04
PLL 05-N02	PLL 08-N02	PLL 11-N03	PLL 15-N06
PLL 05-N03	PLL 08-N03	PLL 11-N04	PLL 16-N02
PLL 05-N04	PLL 08-N04	PLL 12-N01	PLL 16-N03
PLL 06-U10	PLL 09-N01	PLL 12-N02	PLL 16-N04
PLL 06-N1/16	PLL 09-N02	PLL 12-N03	PLL 16-N06
PLL 06-N01	PLL 09-N03	PLL 12-N04	
PLL 06-N02	PLL 09-N04	PLL 12-N06	
PLL 06-N03	PLL 10-N01	PLL 14-N02	



ØD

T

Metric Tube (ØD) - G, BSPP Thread (T) 公制插管 (ØD) - G, BSPP 螺纹 (T)			
PLL 04-G1/16	PLL 07-G01	PLL 10-G02	PLL 14-G02
PLL 04-G01	PLL 07-G02	PLL 10-G03	PLL 14-G03
PLL 04-G02	PLL 07-G03	PLL 10-G04	PLL 14-G04
PLL 04-G03	PLL 07-G04	PLL 10-G06	PLL 14-G06
PLL 05-G01	PLL 08-G01	PLL 11-G01	PLL 15-G02
PLL 05-G02	PLL 08-G02	PLL 11-G02	PLL 15-G03
PLL 05-G03	PLL 08-G03	PLL 11-G03	PLL 15-G04
PLL 05-G04	PLL 08-G04	PLL 11-G04	PLL 15-G06
PLL 06-G1/16	PLL 09-G01	PLL 12-G01	PLL 16-G02
PLL 06-G01	PLL 09-G02	PLL 12-G02	PLL 16-G03
PLL 06-G02	PLL 09-G03	PLL 12-G03	PLL 16-G04
PLL 06-G03	PLL 09-G04	PLL 12-G04	PLL 16-G06
PLL 06-G04	PLL 10-G01	PLL 12-G06	



ØD

T

Metric Tube (ØD) - Metric Thread (T) 公制插管 (ØD) - Metric 螺纹 (T)			
PLL 04-M4	PLL 06-M10	PLL 08-M20	PLL 12-M14
PLL 04-M5	PLL 06-M12	PLL 10-M8	PLL 12-M16
PLL 04-M6	PLL 06-M14	PLL 10-M10	PLL 12-M20
PLL 04-M8	PLL 06-M16	PLL 10-M12	PLL 16-M12
PLL 04-M10	PLL 06-M20	PLL 10-M14	PLL 16-M14
PLL 04-M12	PLL 08-M8	PLL 10-M16	PLL 16-M16
PLL 06-M4	PLL 08-M10	PLL 10-M20	PLL 16-M20
PLL 06-M5	PLL 08-M12	PLL 12-M8	
PLL 06-M6	PLL 08-M14	PLL 12-M10	
PLL 06-M8	PLL 08-M16	PLL 12-M12	

Inch Tube (ØD) - R, PT, BSPT Thread (T) 英制插管 (ØD) - R, PT, BSPT 螺纹 (T)		
PLL 1/8-1/16	PLL 1/4-1/16	PLL 3/8-04
PLL 1/8-01	PLL 1/4-01	PLL 3/8-06
PLL 1/8-02	PLL 1/4-02	PLL 1/2-01
PLL 1/8-03	PLL 1/4-03	PLL 1/2-02
PLL 5/32-1/16	PLL 1/4-04	PLL 1/2-03
PLL 5/32-01	PLL 5/16-01	PLL 1/2-04
PLL 5/32-02	PLL 5/16-02	PLL 1/2-06
PLL 5/32-03	PLL 5/16-03	PLL 5/8-01
PLL 3/16-1/16	PLL 5/16-04	PLL 5/8-02
PLL 3/16-01	PLL 3/8-01	PLL 5/8-03
PLL 3/16-02	PLL 3/8-02	PLL 5/8-04
PLL 3/16-03	PLL 3/8-03	PLL 5/8-06

Inch Tube (ØD) - NPT, UNF, UNC Thread (T) 英制插管 (ØD) - NPT, UNF, UNC 螺纹 (T)		
PLL 1/8-U10	PLL 3/16-N03	PLL 3/8-N04
PLL 1/8-N1/16	PLL 1/4-U10	PLL 3/8-N06
PLL 1/8-N01	PLL 1/4-N1/16	PLL 1/2-N01
PLL 1/8-N02	PLL 1/4-N01	PLL 1/2-N02
PLL 1/8-N03	PLL 1/4-N02	PLL 1/2-N03
PLL 5/32-U10	PLL 1/4-N03	PLL 1/2-N04
PLL 5/32-N1/16	PLL 1/4-N04	PLL 1/2-N06
PLL 5/32-N01	PLL 5/16-N01	PLL 5/8-N01
PLL 5/32-N02	PLL 5/16-N02	PLL 5/8-N02
PLL 5/32-N03	PLL 5/16-N03	PLL 5/8-N03
PLL 3/16-U10	PLL 5/16-N04	PLL 5/8-N04
PLL 3/16-N1/16	PLL 3/8-N01	PLL 5/8-N06
PLL 3/16-N01	PLL 3/8-N02	
PLL 3/16-N02	PLL 3/8-N03	

Inch Tube (ØD) - G, BSPP Thread (T) 英制插管 (ØD) - G, BSPP 螺纹 (T)		
PLL 5/32-G1/16	PLL 5/16-G02	PLL 1/2-G03
PLL 5/32-G01	PLL 5/16-G03	PLL 1/2-G04
PLL 5/32-G02	PLL 5/16-G04	PLL 1/2-G06
PLL 5/32-G03	PLL 3/8-G01	PLL 5/8-G01
PLL 1/4-G1/16	PLL 3/8-G02	PLL 5/8-G02
PLL 1/4-G01	PLL 3/8-G03	PLL 5/8-G03
PLL 1/4-G02	PLL 3/8-G04	PLL 5/8-G04
PLL 1/4-G03	PLL 3/8-G06	PLL 5/8-G06
PLL 1/4-G04	PLL 1/2-G01	
PLL 5/16-G01	PLL 1/2-G02	

Inch Tube (ØD) - Metric Thread (T) 英制插管 (ØD) - Metric 螺纹 (T)		
PLL 5/32-M4	PLL 1/4-M16	PLL 3/8-M20
PLL 5/32-M5	PLL 1/4-M20	PLL 1/2-M8
PLL 5/32-M6	PLL 5/16-M8	PLL 1/2-M10
PLL 5/32-M8	PLL 5/16-M10	PLL 1/2-M12
PLL 5/32-M10	PLL 5/16-M12	PLL 1/2-M14
PLL 5/32-M12	PLL 5/16-M14	PLL 1/2-M16
PLL 1/4-M4	PLL 5/16-M16	PLL 1/2-M20
PLL 1/4-M5	PLL 5/16-M20	PLL 5/8-M12
PLL 1/4-M6	PLL 3/8-M8	PLL 5/8-M14
PLL 1/4-M8	PLL 3/8-M10	PLL 5/8-M16
PLL 1/4-M10	PLL 3/8-M12	PLL 5/8-M20
PLL 1/4-M12	PLL 3/8-M14	
PLL 1/4-M14	PLL 3/8-M16	

PH Male Banjo 外螺纹外六角接头



Metric Tube (ØD) - R, PT, BSPT Thread (T) 公制插管 (ØD) - R, PT, BSPT 螺纹 (T)			
PH 04-1/16	PH 07-01	PH 10-02	PH 14-02
PH 04-01	PH 07-02	PH 10-03	PH 14-03
PH 04-02	PH 07-03	PH 10-04	PH 14-04
PH 04-03	PH 07-04	PH 10-06	PH 14-06
PH 05-01	PH 08-01	PH 11-01	PH 15-02
PH 05-02	PH 08-02	PH 11-02	PH 15-03
PH 05-03	PH 08-03	PH 11-03	PH 15-04
PH 05-04	PH 08-04	PH 11-04	PH 15-06
PH 06-1/16	PH 09-01	PH 12-01	PH 16-02
PH 06-01	PH 09-02	PH 12-02	PH 16-03
PH 06-02	PH 09-03	PH 12-03	PH 16-04
PH 06-03	PH 09-04	PH 12-04	PH 16-06
PH 06-04	PH 10-01	PH 12-06	

Inch Tube (ØD) - R, PT, BSPT Thread (T) 英制插管 (ØD) - R, PT, BSPT 螺纹 (T)		
PH 1/8-1/16	PH 1/4-1/16	PH 3/8-04
PH 1/8-01	PH 1/4-01	PH 3/8-06
PH 1/8-02	PH 1/4-02	PH 1/2-01
PH 1/8-03	PH 1/4-03	PH 1/2-02
PH 5/32-1/16	PH 1/4-04	PH 1/2-03
PH 5/32-01	PH 5/16-01	PH 1/2-04
PH 5/32-02	PH 5/16-02	PH 1/2-06
PH 5/32-03	PH 5/16-03	PH 5/8-01
PH 3/16-1/16	PH 5/16-04	PH 5/8-02
PH 3/16-01	PH 3/8-01	PH 5/8-03
PH 3/16-02	PH 3/8-02	PH 5/8-04
PH 3/16-03	PH 3/8-03	PH 5/8-06



Metric Tube (ØD) - NPT, UNF, UNC Thread (T) 公制插管 (ØD) - NPT, UNF, UNC 螺纹 (T)			
PH 04-U10	PH 06-N04	PH 10-N02	PH 14-N03
PH 04-N1/16	PH 07-N01	PH 10-N03	PH 14-N04
PH 04-N01	PH 07-N02	PH 10-N04	PH 14-N06
PH 04-N02	PH 07-N03	PH 10-N06	PH 15-N02
PH 04-N03	PH 07-N04	PH 11-N01	PH 15-N03
PH 05-N01	PH 08-N01	PH 11-N02	PH 15-N04
PH 05-N02	PH 08-N02	PH 11-N03	PH 15-N06
PH 05-N03	PH 08-N03	PH 11-N04	PH 16-N02
PH 05-N04	PH 08-N04	PH 12-N01	PH 16-N03
PH 06-U10	PH 09-N01	PH 12-N02	PH 16-N04
PH 06-N1/16	PH 09-N02	PH 12-N03	PH 16-N06
PH 06-N01	PH 09-N03	PH 12-N04	
PH 06-N02	PH 09-N04	PH 12-N06	
PH 06-N03	PH 10-N01	PH 14-N02	

Inch Tube (ØD) - NPT, UNF, UNC Thread (T) 英制插管 (ØD) - NPT, UNF, UNC 螺纹 (T)		
PH 1/8-U10	PH 3/16-N03	PH 3/8-N04
PH 1/8-N1/16	PH 1/4-U10	PH 3/8-N06
PH 1/8-N01	PH 1/4-N1/16	PH 1/2-N01
PH 1/8-N02	PH 1/4-N01	PH 1/2-N02
PH 1/8-N03	PH 1/4-N02	PH 1/2-N03
PH 5/32-U10	PH 1/4-N03	PH 1/2-N04
PH 5/32-N1/16	PH 1/4-N04	PH 1/2-N06
PH 5/32-N01	PH 5/16-N01	PH 5/8-N01
PH 5/32-N02	PH 5/16-N02	PH 5/8-N02
PH 5/32-N03	PH 5/16-N03	PH 5/8-N03
PH 3/16-U10	PH 5/16-N04	PH 5/8-N04
PH 3/16-N1/16	PH 3/8-N01	PH 5/8-N06
PH 3/16-N01	PH 3/8-N02	
PH 3/16-N02	PH 3/8-N03	



Metric Tube (ØD) - G, BSPP Thread (T) 公制插管 (ØD) - G, BSPP 螺纹 (T)			
PH 04-G1/16	PH 07-G01	PH 10-G02	PH 14-G02
PH 04-G01	PH 07-G02	PH 10-G03	PH 14-G03
PH 04-G02	PH 07-G03	PH 10-G04	PH 14-G04
PH 04-G03	PH 07-G04	PH 10-G06	PH 14-G06
PH 05-G01	PH 08-G01	PH 11-G01	PH 15-G02
PH 05-G02	PH 08-G02	PH 11-G02	PH 15-G03
PH 05-G03	PH 08-G03	PH 11-G03	PH 15-G04
PH 05-G04	PH 08-G04	PH 11-G04	PH 15-G06
PH 06-G1/16	PH 09-G01	PH 12-G01	PH 16-G02
PH 06-G01	PH 09-G02	PH 12-G02	PH 16-G03
PH 06-G02	PH 09-G03	PH 12-G03	PH 16-G04
PH 06-G03	PH 09-G04	PH 12-G04	PH 16-G06
PH 06-G04	PH 10-G01	PH 12-G06	

Inch Tube (ØD) - G, BSPP Thread (T) 英制插管 (ØD) - G, BSPP 螺纹 (T)		
PH 5/32-G1/16	PH 5/16-G02	PH 1/2-G03
PH 5/32-G01	PH 5/16-G03	PH 1/2-G04
PH 5/32-G02	PH 5/16-G04	PH 1/2-G06
PH 5/32-G03	PH 3/8-G01	PH 5/8-G01
PH 1/4-G1/16	PH 3/8-G02	PH 5/8-G02
PH 1/4-G01	PH 3/8-G03	PH 5/8-G03
PH 1/4-G02	PH 3/8-G04	PH 5/8-G04
PH 1/4-G03	PH 3/8-G06	PH 5/8-G06
PH 1/4-G04	PH 1/2-G01	
PH 5/16-G01	PH 1/2-G02	



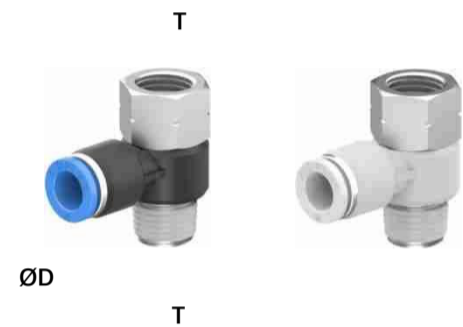
Metric Tube (ØD) - Metric Thread (T) 公制插管 (ØD) - Metric 螺纹 (T)			
PH 04-M4	PH 06-M10	PH 08-M20	PH 12-M14
PH 04-M5	PH 06-M12	PH 10-M8	PH 12-M16
PH 04-M6	PH 06-M14	PH 10-M10	PH 12-M20
PH 04-M8	PH 06-M16	PH 10-M12	PH 16-M12
PH 04-M10	PH 06-M20	PH 10-M14	PH 16-M14
PH 04-M12	PH 08-M8	PH 10-M16	PH 16-M16
PH 06-M4	PH 08-M10	PH 10-M20	PH 16-M20
PH 06-M5	PH 08-M12	PH 12-M8	
PH 06-M6	PH 08-M14	PH 12-M10	
PH 06-M8	PH 08-M16	PH 12-M12	

Inch Tube (ØD) - Metric Thread (T) 英制插管 (ØD) - Metric 螺纹 (T)		
PH 5/32-M4	PH 1/4-M16	PH 3/8-M20
PH 5/32-M5	PH 1/4-M20	PH 1/2-M8
PH 5/32-M6	PH 5/16-M8	PH 1/2-M10
PH 5/32-M8	PH 5/16-M10	PH 1/2-M12
PH 5/32-M10	PH 5/16-M12	PH 1/2-M14
PH 5/32-M12	PH 5/16-M14	PH 1/2-M16
PH 1/4-M4	PH 5/16-M16	PH 1/2-M20
PH 1/4-M5	PH 5/16-M20	PH 5/8-M12
PH 1/4-M6	PH 3/8-M8	PH 5/8-M14
PH 1/4-M8	PH 3/8-M10	PH 5/8-M16
PH 1/4-M10	PH 3/8-M12	PH 5/8-M20
PH 1/4-M12	PH 3/8-M14	
PH 1/4-M14	PH 3/8-M16	



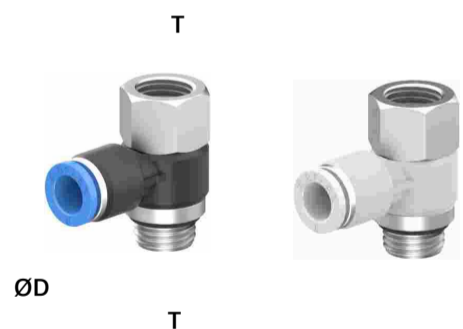
Metric Tube (ØD) - R, PT, BSPT Thread (T) 公制插管 (ØD) - R, PT, BSPT 螺纹 (T)			
PHF 04-1/16	PHF 07-01	PHF 10-02	PHF 14-02
PHF 04-01	PHF 07-02	PHF 10-03	PHF 14-03
PHF 04-02	PHF 07-03	PHF 10-04	PHF 14-04
PHF 04-03	PHF 07-04	PHF 10-06	PHF 14-06
PHF 05-01	PHF 08-01	PHF 11-01	PHF 15-02
PHF 05-02	PHF 08-02	PHF 11-02	PHF 15-03
PHF 05-03	PHF 08-03	PHF 11-03	PHF 15-04
PHF 05-04	PHF 08-04	PHF 11-04	PHF 15-06
PHF 06-1/16	PHF 09-01	PHF 12-01	PHF 16-02
PHF 06-01	PHF 09-02	PHF 12-02	PHF 16-03
PHF 06-02	PHF 09-03	PHF 12-03	PHF 16-04
PHF 06-03	PHF 09-04	PHF 12-04	PHF 16-06
PHF 06-04	PHF 10-01	PHF 12-06	

Inch Tube (ØD) - R, PT, BSPT Thread (T) 英制插管 (ØD) - R, PT, BSPT 螺纹 (T)		
PHF 1/8-1/16	PHF 1/4-1/16	PHF 3/8-04
PHF 1/8-01	PHF 1/4-01	PHF 3/8-06
PHF 1/8-02	PHF 1/4-02	PHF 1/2-01
PHF 1/8-03	PHF 1/4-03	PHF 1/2-02
PHF 5/32-1/16	PHF 1/4-04	PHF 1/2-03
PHF 5/32-01	PHF 5/16-01	PHF 1/2-04
PHF 5/32-02	PHF 5/16-02	PHF 1/2-06
PHF 5/32-03	PHF 5/16-03	PHF 5/8-01
PHF 3/16-1/16	PHF 5/16-04	PHF 5/8-02
PHF 3/16-01	PHF 3/8-01	PHF 5/8-03
PHF 3/16-02	PHF 3/8-02	PHF 5/8-04
PHF 3/16-03	PHF 3/8-03	PHF 5/8-06



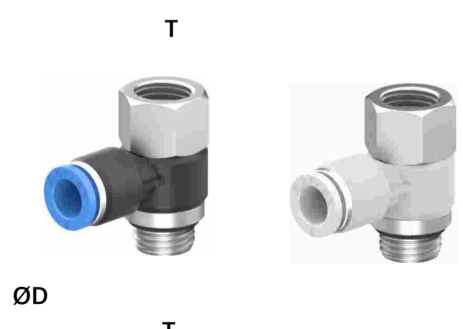
Metric Tube (ØD) - NPT, UNF, UNC Thread (T) 公制插管 (ØD) - NPT, UNF, UNC 螺纹 (T)			
PHF 04-U10	PHF 06-N04	PHF 10-N02	PHF 14-N03
PHF 04-N1/16	PHF 07-N01	PHF 10-N03	PHF 14-N04
PHF 04-N01	PHF 07-N02	PHF 10-N04	PHF 14-N06
PHF 04-N02	PHF 07-N03	PHF 10-N06	PHF 15-N02
PHF 04-N03	PHF 07-N04	PHF 11-N01	PHF 15-N03
PHF 05-N01	PHF 08-N01	PHF 11-N02	PHF 15-N04
PHF 05-N02	PHF 08-N02	PHF 11-N03	PHF 15-N06
PHF 05-N03	PHF 08-N03	PHF 11-N04	PHF 16-N02
PHF 05-N04	PHF 08-N04	PHF 12-N01	PHF 16-N03
PHF 06-U10	PHF 09-N01	PHF 12-N02	PHF 16-N04
PHF 06-N1/16	PHF 09-N02	PHF 12-N03	PHF 16-N06
PHF 06-N01	PHF 09-N03	PHF 12-N04	
PHF 06-N02	PHF 09-N04	PHF 12-N06	
PHF 06-N03	PHF 10-N01	PHF 14-N02	

Inch Tube (ØD) - NPT, UNF, UNC Thread (T) 英制插管 (ØD) - NPT, UNF, UNC 螺纹 (T)		
PHF 1/8-U10	PHF 3/16-N03	PHF 3/8-N04
PHF 1/8-N1/16	PHF 1/4-U10	PHF 3/8-N06
PHF 1/8-N01	PHF 1/4-N1/16	PHF 1/2-N01
PHF 1/8-N02	PHF 1/4-N01	PHF 1/2-N02
PHF 1/8-N03	PHF 1/4-N02	PHF 1/2-N03
PHF 5/32-U10	PHF 1/4-N03	PHF 1/2-N04
PHF 5/32-N1/16	PHF 1/4-N04	PHF 1/2-N06
PHF 5/32-N01	PHF 5/16-N01	PHF 5/8-N01
PHF 5/32-N02	PHF 5/16-N02	PHF 5/8-N02
PHF 5/32-N03	PHF 5/16-N03	PHF 5/8-N03
PHF 3/16-U10	PHF 5/16-N04	PHF 5/8-N04
PHF 3/16-N1/16	PHF 3/8-N01	PHF 5/8-N06
PHF 3/16-N01	PHF 3/8-N02	
PHF 3/16-N02	PHF 3/8-N03	



Metric Tube (ØD) - G, BSPP Thread (T) 公制插管 (ØD) - G, BSPP 螺纹 (T)			
PHF 04-G1/16	PHF 07-G01	PHF 10-G02	PHF 14-G02
PHF 04-G01	PHF 07-G02	PHF 10-G03	PHF 14-G03
PHF 04-G02	PHF 07-G03	PHF 10-G04	PHF 14-G04
PHF 04-G03	PHF 07-G04	PHF 10-G06	PHF 14-G06
PHF 05-G01	PHF 08-G01	PHF 11-G01	PHF 15-G02
PHF 05-G02	PHF 08-G02	PHF 11-G02	PHF 15-G03
PHF 05-G03	PHF 08-G03	PHF 11-G03	PHF 15-G04
PHF 05-G04	PHF 08-G04	PHF 11-G04	PHF 15-G06
PHF 06-G1/16	PHF 09-G01	PHF 12-G01	PHF 16-G02
PHF 06-G01	PHF 09-G02	PHF 12-G02	PHF 16-G03
PHF 06-G02	PHF 09-G03	PHF 12-G03	PHF 16-G04
PHF 06-G03	PHF 09-G04	PHF 12-G04	PHF 16-G06
PHF 06-G04	PHF 10-G01	PHF 12-G06	

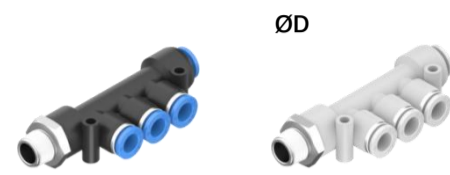
Inch Tube (ØD) - G, BSPP Thread (T) 英制插管 (ØD) - G, BSPP 螺纹 (T)		
PHF 5/32-G1/16	PHF 5/16-G02	PHF 1/2-G03
PHF 5/32-G01	PHF 5/16-G03	PHF 1/2-G04
PHF 5/32-G02	PHF 5/16-G04	PHF 1/2-G06
PHF 5/32-G03	PHF 3/8-G01	PHF 5/8-G01
PHF 1/4-G1/16	PHF 3/8-G02	PHF 5/8-G02
PHF 1/4-G01	PHF 3/8-G03	PHF 5/8-G03
PHF 1/4-G02	PHF 3/8-G04	PHF 5/8-G04
PHF 1/4-G03	PHF 3/8-G06	PHF 5/8-G06
PHF 1/4-G04	PHF 1/2-G01	
PHF 5/16-G01	PHF 1/2-G02	



Metric Tube (ØD) - Metric Thread (T) 公制插管 (ØD) - Metric 螺纹 (T)			
PHF 04-M4	PHF 06-M10	PHF 08-M20	PHF 12-M14
PHF 04-M5	PHF 06-M12	PHF 10-M8	PHF 12-M16
PHF 04-M6	PHF 06-M14	PHF 10-M10	PHF 12-M20
PHF 04-M8	PHF 06-M16	PHF 10-M12	PHF 16-M12
PHF 04-M10	PHF 06-M20	PHF 10-M14	PHF 16-M14
PHF 04-M12	PHF 08-M8	PHF 10-M16	PHF 16-M16
PHF 06-M4	PHF 08-M10	PHF 10-M20	PHF 16-M20
PHF 06-M5	PHF 08-M12	PHF 12-M8	
PHF 06-M6	PHF 08-M14	PHF 12-M10	
PHF 06-M8	PHF 08-M16	PHF 12-M12	

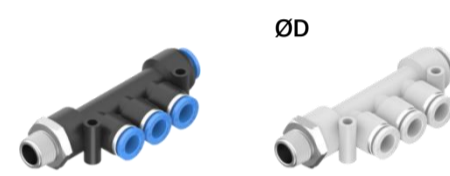
Inch Tube (ØD) - Metric Thread (T) 英制插管 (ØD) - Metric 螺纹 (T)		
PHF 5/32-M4	PHF 1/4-M16	PHF 3/8-M20
PHF 5/32-M5	PHF 1/4-M20	PHF 1/2-M8
PHF 5/32-M6	PHF 5/16-M8	PHF 1/2-M10
PHF 5/32-M8	PHF 5/16-M10	PHF 1/2-M12
PHF 5/32-M10	PHF 5/16-M12	PHF 1/2-M14
PHF 5/32-M12	PHF 5/16-M14	PHF 1/2-M16
PHF 1/4-M4	PHF 5/16-M16	PHF 1/2-M20
PHF 1/4-M5	PHF 5/16-M20	PHF 5/8-M12
PHF 1/4-M6	PHF 3/8-M8	PHF 5/8-M14
PHF 1/4-M8	PHF 3/8-M10	PHF 5/8-M16
PHF 1/4-M10	PHF 3/8-M12	PHF 5/8-M20
PHF 1/4-M12	PHF 3/8-M14	
PHF 1/4-M14	PHF 3/8-M16	

PKB Male Triple Branch 外螺纹五通



Metric Tube (ØD) - R, PT, BSPT Thread (T) 公制插管 (ØD) - R, PT, BSPT 螺纹 (T)			
PKB 04-1/16	PKB 07-01	PKB 10-02	PKB 14-02
PKB 04-01	PKB 07-02	PKB 10-03	PKB 14-03
PKB 04-02	PKB 07-03	PKB 10-04	PKB 14-04
PKB 04-03	PKB 07-04	PKB 10-06	PKB 14-06
PKB 05-01	PKB 08-01	PKB 11-01	PKB 15-02
PKB 05-02	PKB 08-02	PKB 11-02	PKB 15-03
PKB 05-03	PKB 08-03	PKB 11-03	PKB 15-04
PKB 05-04	PKB 08-04	PKB 11-04	PKB 15-06
PKB 06-1/16	PKB 09-01	PKB 12-01	PKB 16-02
PKB 06-01	PKB 09-02	PKB 12-02	PKB 16-03
PKB 06-02	PKB 09-03	PKB 12-03	PKB 16-04
PKB 06-03	PKB 09-04	PKB 12-04	PKB 16-06
PKB 06-04	PKB 10-01	PKB 12-06	

Inch Tube (ØD) - R, PT, BSPT Thread (T) 英制插管 (ØD) - R, PT, BSPT 螺纹 (T)		
PKB 1/8-1/16	PKB 1/4-1/16	PKB 3/8-04
PKB 1/8-01	PKB 1/4-01	PKB 3/8-06
PKB 1/8-02	PKB 1/4-02	PKB 1/2-01
PKB 1/8-03	PKB 1/4-03	PKB 1/2-02
PKB 5/32-1/16	PKB 1/4-04	PKB 1/2-03
PKB 5/32-01	PKB 5/16-01	PKB 1/2-04
PKB 5/32-02	PKB 5/16-02	PKB 1/2-06
PKB 5/32-03	PKB 5/16-03	PKB 5/8-01
PKB 3/16-1/16	PKB 5/16-04	PKB 5/8-02
PKB 3/16-01	PKB 3/8-01	PKB 5/8-03
PKB 3/16-02	PKB 3/8-02	PKB 5/8-04
PKB 3/16-03	PKB 3/8-03	PKB 5/8-06



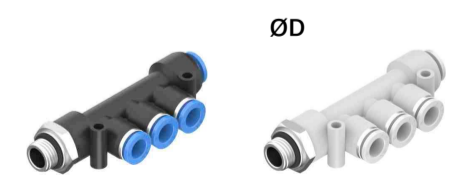
Metric Tube (ØD) - NPT, UNF, UNC Thread (T) 公制插管 (ØD) - NPT, UNF, UNC 螺纹 (T)			
PKB 04-U10	PKB 06-N04	PKB 10-N02	PKB 14-N03
PKB 04-N1/16	PKB 07-N01	PKB 10-N03	PKB 14-N04
PKB 04-N01	PKB 07-N02	PKB 10-N04	PKB 14-N06
PKB 04-N02	PKB 07-N03	PKB 10-N06	PKB 15-N02
PKB 04-N03	PKB 07-N04	PKB 11-N01	PKB 15-N03
PKB 05-N01	PKB 08-N01	PKB 11-N02	PKB 15-N04
PKB 05-N02	PKB 08-N02	PKB 11-N03	PKB 15-N06
PKB 05-N03	PKB 08-N03	PKB 11-N04	PKB 16-N02
PKB 05-N04	PKB 08-N04	PKB 12-N01	PKB 16-N03
PKB 06-U10	PKB 09-N01	PKB 12-N02	PKB 16-N04
PKB 06-N1/16	PKB 09-N02	PKB 12-N03	PKB 16-N06
PKB 06-N01	PKB 09-N03	PKB 12-N04	
PKB 06-N02	PKB 09-N04	PKB 12-N06	
PKB 06-N03	PKB 10-N01	PKB 14-N02	

Inch Tube (ØD) - NPT, UNF, UNC Thread (T) 英制插管 (ØD) - NPT, UNF, UNC 螺纹 (T)		
PKB 1/8-U10	PKB 3/16-N03	PKB 3/8-N04
PKB 1/8-N1/16	PKB 1/4-U10	PKB 3/8-N06
PKB 1/8-N01	PKB 1/4-N1/16	PKB 1/2-N01
PKB 1/8-N02	PKB 1/4-N01	PKB 1/2-N02
PKB 1/8-N03	PKB 1/4-N02	PKB 1/2-N03
PKB 5/32-U10	PKB 1/4-N03	PKB 1/2-N04
PKB 5/32-N1/16	PKB 1/4-N04	PKB 1/2-N06
PKB 5/32-N01	PKB 5/16-N01	PKB 5/8-N01
PKB 5/32-N02	PKB 5/16-N02	PKB 5/8-N02
PKB 5/32-N03	PKB 5/16-N03	PKB 5/8-N03
PKB 3/16-U10	PKB 5/16-N04	PKB 5/8-N04
PKB 3/16-N1/16	PKB 3/8-N01	PKB 5/8-N06
PKB 3/16-N01	PKB 3/8-N02	
PKB 3/16-N02	PKB 3/8-N03	



Metric Tube (ØD) - G, BSPP Thread (T) 公制插管 (ØD) - G, BSPP 螺纹 (T)			
PKB 04-G1/16	PKB 07-G01	PKB 10-G02	PKB 14-G02
PKB 04-G01	PKB 07-G02	PKB 10-G03	PKB 14-G03
PKB 04-G02	PKB 07-G03	PKB 10-G04	PKB 14-G04
PKB 04-G03	PKB 07-G04	PKB 10-G06	PKB 14-G06
PKB 05-G01	PKB 08-G01	PKB 11-G01	PKB 15-G02
PKB 05-G02	PKB 08-G02	PKB 11-G02	PKB 15-G03
PKB 05-G03	PKB 08-G03	PKB 11-G03	PKB 15-G04
PKB 05-G04	PKB 08-G04	PKB 11-G04	PKB 15-G06
PKB 06-G1/16	PKB 09-G01	PKB 12-G01	PKB 16-G02
PKB 06-G01	PKB 09-G02	PKB 12-G02	PKB 16-G03
PKB 06-G02	PKB 09-G03	PKB 12-G03	PKB 16-G04
PKB 06-G03	PKB 09-G04	PKB 12-G04	PKB 16-G06
PKB 06-G04	PKB 10-G01	PKB 12-G06	

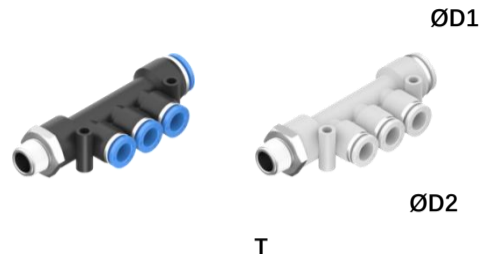
Inch Tube (ØD) - G, BSPP Thread (T) 英制插管 (ØD) - G, BSPP 螺纹 (T)		
PKB 5/32-G1/16	PKB 5/16-G02	PKB 1/2-G03
PKB 5/32-G01	PKB 5/16-G03	PKB 1/2-G04
PKB 5/32-G02	PKB 5/16-G04	PKB 1/2-G06
PKB 5/32-G03	PKB 3/8-G01	PKB 5/8-G01
PKB 1/4-G1/16	PKB 3/8-G02	PKB 5/8-G02
PKB 1/4-G01	PKB 3/8-G03	PKB 5/8-G03
PKB 1/4-G02	PKB 3/8-G04	PKB 5/8-G04
PKB 1/4-G03	PKB 3/8-G06	PKB 5/8-G06
PKB 1/4-G04	PKB 1/2-G01	
PKB 5/16-G01	PKB 1/2-G02	



Metric Tube (ØD) - Metric Thread (T) 公制插管 (ØD) - Metric 螺纹 (T)			
PKB 04-M4	PKB 06-M10	PKB 08-M20	PKB 12-M14
PKB 04-M5	PKB 06-M12	PKB 10-M8	PKB 12-M16
PKB 04-M6	PKB 06-M14	PKB 10-M10	PKB 12-M20
PKB 04-M8	PKB 06-M16	PKB 10-M12	PKB 16-M12
PKB 04-M10	PKB 06-M20	PKB 10-M14	PKB 16-M14
PKB 04-M12	PKB 08-M8	PKB 10-M16	PKB 16-M16
PKB 06-M4	PKB 08-M10	PKB 10-M20	PKB 16-M20
PKB 06-M5	PKB 08-M12	PKB 12-M8	
PKB 06-M6	PKB 08-M14	PKB 12-M10	
PKB 06-M8	PKB 08-M16	PKB 12-M12	

Inch Tube (ØD) - Metric Thread (T) 英制插管 (ØD) - Metric 螺纹 (T)		
PKB 5/32-M4	PKB 1/4-M16	PKB 3/8-M20
PKB 5/32-M5	PKB 1/4-M20	PKB 1/2-M8
PKB 5/32-M6	PKB 5/16-M8	PKB 1/2-M10
PKB 5/32-M8	PKB 5/16-M10	PKB 1/2-M12
PKB 5/32-M10	PKB 5/16-M12	PKB 1/2-M14
PKB 5/32-M12	PKB 5/16-M14	PKB 1/2-M16
PKB 1/4-M4	PKB 5/16-M16	PKB 1/2-M20
PKB 1/4-M5	PKB 5/16-M20	PKB 5/8-M12
PKB 1/4-M6	PKB 3/8-M8	PKB 5/8-M14
PKB 1/4-M8	PKB 3/8-M10	PKB 5/8-M16
PKB 1/4-M10	PKB 3/8-M12	PKB 5/8-M20
PKB 1/4-M12	PKB 3/8-M14	
PKB 1/4-M14	PKB 3/8-M16	

PKD Male Triple Branch Reducer 外螺纹减径三通



Metric Tube (ØD) - R, PT, BSPT Thread (T) 公制插管 (ØD) - R, PT, BSPT 螺纹 (T)		
PKD 06-04-1/16	PKD 10-06-02	PKD 12-08-03
PKD 06-04-01	PKD 10-06-03	PKD 12-08-04
PKD 06-04-02	PKD 10-06-04	PKD 12-08-06
PKD 06-04-03	PKD 10-08-01	PKD 12-10-01
PKD 08-04-01	PKD 10-08-02	PKD 12-10-02
PKD 08-04-02	PKD 10-08-03	PKD 12-10-03
PKD 08-04-03	PKD 10-08-04	PKD 12-10-04
PKD 08-04-04	PKD 12-06-01	PKD 12-10-06
PKD 08-06-01	PKD 12-06-02	
PKD 08-06-02	PKD 12-06-03	
PKD 08-06-03	PKD 12-06-04	
PKD 08-06-04	PKD 12-08-01	
PKD 10-06-01	PKD 12-08-02	

Inch Tube (ØD) - R, PT, BSPT Thread (T) 英制插管 (ØD) - R, PT, BSPT 螺纹 (T)	
PKD 1/4-5/32-1/16	PKD 5/16-1/4-04
PKD 1/4-5/32-01	PKD 3/8-5/16-01
PKD 1/4-5/32-02	PKD 3/8-5/16-02
PKD 1/4-5/32-03	PKD 3/8-5/16-03
PKD 5/16-5/32-1/16	PKD 3/8-5/16-04
PKD 5/16-5/32-01	PKD 3/8-5/16-06
PKD 5/16-5/32-02	PKD 1/2-3/8-01
PKD 5/16-5/32-03	PKD 1/2-3/8-02
PKD 5/16-5/32-04	PKD 1/2-3/8-03
PKD 5/16-1/4-01	PKD 1/2-3/8-04
PKD 5/16-1/4-02	PKD 1/2-3/8-06
PKD 5/16-1/4-03	



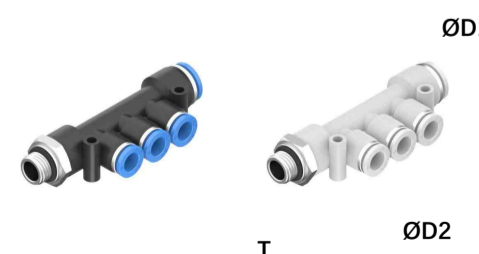
Metric Tube (ØD) - NPT, UNF, UNC Thread (T) 公制插管 (ØD) - NPT, UNF, UNC 螺纹 (T)		
PKD 06-04-U10	PKD 10-06-N01	PKD 12-08-N02
PKD 06-04-N1/16	PKD 10-06-N02	PKD 12-08-N03
PKD 06-04-N01	PKD 10-06-N03	PKD 12-08-N04
PKD 06-04-N02	PKD 10-06-N04	PKD 12-08-N06
PKD 06-04-N03	PKD 10-08-N01	PKD 12-10-N01
PKD 08-04-N01	PKD 10-08-N02	PKD 12-10-N02
PKD 08-04-N02	PKD 10-08-N03	PKD 12-10-N03
PKD 08-04-N03	PKD 10-08-N04	PKD 12-10-N04
PKD 08-04-N04	PKD 12-06-N01	PKD 12-10-N06
PKD 08-06-N01	PKD 12-06-N02	
PKD 08-06-N02	PKD 12-06-N03	
PKD 08-06-N03	PKD 12-06-N04	
PKD 08-06-N04	PKD 12-08-N01	

Inch Tube (ØD) - NPT, UNF, UNC Thread (T) 英制插管 (ØD) - NPT, UNF, UNC 螺纹 (T)	
PKD 1/4-5/32-U10	PKD 3/8-5/16-N01
PKD 1/4-5/32-N1/16	PKD 3/8-5/16-N02
PKD 1/4-5/32-N01	PKD 3/8-5/16-N03
PKD 1/4-5/32-N02	PKD 3/8-5/16-N04
PKD 1/4-5/32-N03	PKD 3/8-5/16-N06
PKD 5/16-5/32-N01	PKD 1/2-3/8-N01
PKD 5/16-5/32-N02	PKD 1/2-3/8-N02
PKD 5/16-5/32-N03	PKD 1/2-3/8-N03
PKD 5/16-5/32-N04	PKD 1/2-3/8-N04
PKD 5/16-1/4-N01	PKD 1/2-3/8-N06
PKD 5/16-1/4-N02	
PKD 5/16-1/4-N03	
PKD 5/16-1/4-N04	



Metric Tube (ØD) - G, BSPP Thread (T) 公制插管 (ØD) - G, BSPP 螺纹 (T)		
PKD 06-04-G1/16	PKD 10-06-G02	PKD 12-08-G03
PKD 06-04-G01	PKD 10-06-G03	PKD 12-08-G04
PKD 06-04-G02	PKD 10-06-G04	PKD 12-08-G06
PKD 06-04-G03	PKD 10-08-G01	PKD 12-10-G01
PKD 08-04-G01	PKD 10-08-G02	PKD 12-10-G02
PKD 08-04-G02	PKD 10-08-G03	PKD 12-10-G03
PKD 08-04-G03	PKD 10-08-G04	PKD 12-10-G04
PKD 08-04-G04	PKD 12-06-G01	PKD 12-10-G06
PKD 08-06-G01	PKD 12-06-G02	
PKD 08-06-G02	PKD 12-06-G03	
PKD 08-06-G03	PKD 12-06-G04	
PKD 08-06-G04	PKD 12-08-G01	
PKD 10-06-G01	PKD 12-08-G02	

Inch Tube (ØD) - G, BSPP Thread (T) 英制插管 (ØD) - G, BSPP 螺纹 (T)	
PKD 1/4-5/32-G1/16	PKD 3/8-5/16-G01
PKD 1/4-5/32-G01	PKD 3/8-5/16-G02
PKD 1/4-5/32-G02	PKD 3/8-5/16-G03
PKD 1/4-5/32-G03	PKD 3/8-5/16-G04
PKD 5/16-5/32-G1/16	PKD 3/8-5/16-G06
PKD 5/16-5/32-G01	PKD 1/2-3/8-G01
PKD 5/16-5/32-G02	PKD 1/2-3/8-G02
PKD 5/16-5/32-G03	PKD 1/2-3/8-G03
PKD 5/16-5/32-G04	PKD 1/2-3/8-G04
PKD 5/16-1/4-G01	PKD 1/2-3/8-G06
PKD 5/16-1/4-G02	
PKD 5/16-1/4-G03	
PKD 5/16-1/4-G04	



Metric Tube (ØD) - Metric Thread (T) 公制插管 (ØD) - Metric 螺纹 (T)		
PKD 06-04-M4	PKD 08-06-M10	PKD 10-08-M20
PKD 06-04-M5	PKD 08-06-M12	PKD 12-10-M8
PKD 06-04-M6	PKD 08-06-M14	PKD 12-10-M10
PKD 06-04-M8	PKD 08-06-M16	PKD 12-10-M12
PKD 06-04-M10	PKD 08-06-M20	PKD 12-10-M14
PKD 06-04-M12	PKD 10-08-M8	PKD 12-10-M16
PKD 08-06-M4	PKD 10-08-M10	PKD 12-10-M20
PKD 08-06-M5	PKD 10-08-M12	
PKD 08-06-M6	PKD 10-08-M14	
PKD 08-06-M8	PKD 10-08-M16	

Inch Tube (ØD) - Metric Thread (T) 英制插管 (ØD) - Metric 螺纹 (T)	
PKD 1/4-5/32-M4	PKD 5/16-1/4-M16
PKD 1/4-5/32-M5	PKD 5/16-1/4-M20
PKD 1/4-5/32-M6	PKD 3/8-5/16-M8
PKD 1/4-5/32-M8	PKD 3/8-5/16-M10
PKD 1/4-5/32-M10	PKD 3/8-5/16-M12
PKD 1/4-5/32-M12	PKD 3/8-5/16-M14
PKD 5/16-1/4-M4	PKD 3/8-5/16-M16
PKD 5/16-1/4-M5	PKD 3/8-5/16-M20
PKD 5/16-1/4-M6	PKD 1/2-3/8-M8
PKD 5/16-1/4-M8	PKD 1/2-3/8-M10
PKD 5/16-1/4-M10	PKD 1/2-3/8-M12
PKD 5/16-1/4-M12	PKD 1/2-3/8-M14
PKD 5/16-1/4-M14	PKD 1/2-3/8-M16

PL45 45° Male Elbow 45度外螺纹弯头



ØD

T

Metric Tube (ØD) - R, PT, BSPT Thread (T) 公制插管 (ØD) - R, PT, BSPT 螺纹 (T)	
PL45 04-1/16	PL45 08-04
PL45 04-01	PL45 10-01
PL45 04-02	PL45 10-02
PL45 04-03	PL45 10-03
PL45 06-1/16	PL45 10-04
PL45 06-01	PL45 12-01
PL45 06-02	PL45 12-02
PL45 06-03	PL45 12-03
PL45 06-04	PL45 12-04
PL45 08-01	
PL45 08-02	
PL45 08-03	

Inch Tube (ØD) - R, PT, BSPT Thread (T) 英制插管 (ØD) - R, PT, BSPT 螺纹 (T)		
PL45 1/8-1/16	PL45 1/4-02	PL45 1/2-02
PL45 1/8-01	PL45 1/4-03	PL45 1/2-03
PL45 1/8-02	PL45 1/4-04	PL45 1/2-04
PL45 5/32-1/16	PL45 5/16-01	
PL45 5/32-01	PL45 5/16-02	
PL45 5/32-02	PL45 5/16-03	
PL45 3/16-1/16	PL45 5/16-04	
PL45 3/16-01	PL45 3/8-01	
PL45 3/16-02	PL45 3/8-02	
PL45 3/16-03	PL45 3/8-03	
PL45 1/4-1/16	PL45 3/8-04	
PL45 1/4-01	PL45 1/2-01	



ØD

T

Metric Tube (ØD) - NPT, UNF, UNC Thread (T) 公制插管 (ØD) - NPT, UNF, UNC 螺纹 (T)	
PL45 04-U10	PL45 08-N02
PL45 04-N1/16	PL45 08-N03
PL45 04-N01	PL45 08-N04
PL45 04-N02	PL45 10-N01
PL45 04-N03	PL45 10-N02
PL45 06-U10	PL45 10-N03
PL45 06-N1/16	PL45 10-N04
PL45 06-N01	PL45 12-N01
PL45 06-N02	PL45 12-N02
PL45 06-N03	PL45 12-N03
PL45 06-N04	PL45 12-N04
PL45 08-N01	

Inch Tube (ØD) - NPT, UNF, UNC Thread (T) 英制插管 (ØD) - NPT, UNF, UNC 螺纹 (T)		
PL45 1/8-U10	PL45 1/4-U10	PL45 3/8-N03
PL45 1/8-N1/16	PL45 1/4-N1/16	PL45 3/8-N04
PL45 1/8-N01	PL45 1/4-N01	PL45 1/2-N01
PL45 1/8-N02	PL45 1/4-N02	PL45 1/2-N02
PL45 5/32-U10	PL45 1/4-N03	PL45 1/2-N03
PL45 5/32-N1/16	PL45 1/4-N04	PL45 1/2-N04
PL45 5/32-N01	PL45 5/16-N01	
PL45 5/32-N02	PL45 5/16-N02	
PL45 3/16-N1/16	PL45 5/16-N03	
PL45 3/16-N01	PL45 5/16-N04	
PL45 3/16-N02	PL45 3/8-N01	
PL45 3/16-N03	PL45 3/8-N02	

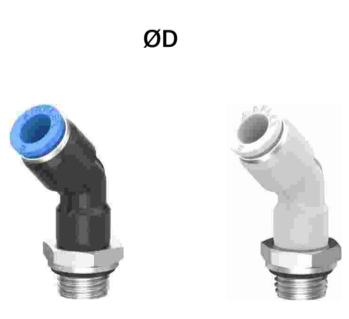


ØD

T

Metric Tube (ØD) - G, BSPP Thread (T) 公制插管 (ØD) - G, BSPP 螺纹 (T)	
PL45 04-G1/16	PL45 08-G04
PL45 04-G01	PL45 10-G01
PL45 04-G02	PL45 10-G02
PL45 04-G03	PL45 10-G03
PL45 06-G1/16	PL45 10-G04
PL45 06-G01	PL45 12-G01
PL45 06-G02	PL45 12-G02
PL45 06-G03	PL45 12-G03
PL45 06-G04	PL45 12-G04
PL45 08-G01	
PL45 08-G02	
PL45 08-G03	

Inch Tube (ØD) - G, BSPP Thread (T) 英制插管 (ØD) - G, BSPP 螺纹 (T)	
PL45 5/32-G1/16	PL45 5/16-G04
PL45 5/32-G01	PL45 3/8-G01
PL45 5/32-G02	PL45 3/8-G02
PL45 5/32-G03	PL45 3/8-G03
PL45 1/4-G1/16	PL45 3/8-G04
PL45 1/4-G01	PL45 1/2-G01
PL45 1/4-G02	PL45 1/2-G02
PL45 1/4-G03	PL45 1/2-G03
PL45 1/4-G04	PL45 1/2-G04
PL45 5/16-G01	
PL45 5/16-G02	
PL45 5/16-G03	



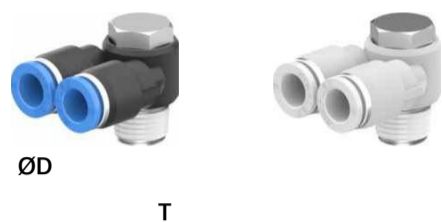
ØD

T

Metric Tube (ØD) - Metric Thread (T) 公制插管 (ØD) - Metric 螺纹 (T)		
PL45 04-M4	PL45 06-M14	PL45 10-M14
PL45 04-M5	PL45 06-M16	PL45 10-M16
PL45 04-M6	PL45 06-M20	PL45 10-M20
PL45 04-M8	PL45 08-M8	PL45 12-M8
PL45 04-M10	PL45 08-M10	PL45 12-M10
PL45 04-M12	PL45 08-M12	PL45 12-M12
PL45 06-M4	PL45 08-M14	PL45 12-M14
PL45 06-M5	PL45 08-M16	PL45 12-M16
PL45 06-M6	PL45 08-M20	PL45 12-M20
PL45 06-M8	PL45 10-M8	
PL45 06-M10	PL45 10-M10	
PL45 06-M12	PL45 10-M12	

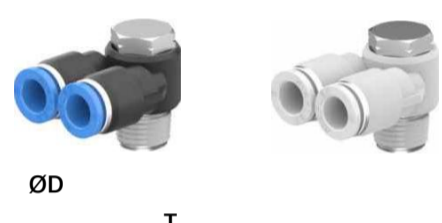
Inch Tube (ØD) - Metric Thread (T) 英制插管 (ØD) - Metric 螺纹 (T)		
PL45 5/32-M4	PL45 1/4-M14	PL45 3/8-M14
PL45 5/32-M5	PL45 1/4-M16	PL45 3/8-M16
PL45 5/32-M6	PL45 1/4-M20	PL45 3/8-M20
PL45 5/32-M8	PL45 5/16-M8	PL45 1/2-M8
PL45 5/32-M10	PL45 5/16-M10	PL45 1/2-M10
PL45 5/32-M12	PL45 5/16-M12	PL45 1/2-M12
PL45 1/4-M4	PL45 5/16-M14	PL45 1/2-M14
PL45 1/4-M5	PL45 5/16-M16	PL45 1/2-M16
PL45 1/4-M6	PL45 5/16-M20	PL45 1/2-M20
PL45 1/4-M8	PL45 3/8-M8	
PL45 1/4-M10	PL45 3/8-M10	
PL45 1/4-M12	PL45 3/8-M12	

PHY Male Banjo Y 外螺纹双管直角串联



Metric Tube (ØD) - R, PT, BSPT Thread (T) 公制插管 (ØD) - R, PT, BSPT 螺纹 (T)	
PHY 04-1/16	PHY 08-04
PHY 04-01	PHY 10-01
PHY 04-02	PHY 10-02
PHY 04-03	PHY 10-03
PHY 06-1/16	PHY 10-04
PHY 06-01	PHY 12-01
PHY 06-02	PHY 12-02
PHY 06-03	PHY 12-03
PHY 06-04	PHY 12-04
PHY 08-01	
PHY 08-02	
PHY 08-03	

Inch Tube (ØD) - R, PT, BSPT Thread (T) 英制插管 (ØD) - R, PT, BSPT 螺纹 (T)		
PHY 1/8-1/16	PHY 1/4-02	PHY 1/2-02
PHY 1/8-01	PHY 1/4-03	PHY 1/2-03
PHY 1/8-02	PHY 1/4-04	PHY 1/2-04
PHY 5/32-1/16	PHY 5/16-01	
PHY 5/32-01	PHY 5/16-02	
PHY 5/32-02	PHY 5/16-03	
PHY 3/16-1/16	PHY 5/16-04	
PHY 3/16-01	PHY 3/8-01	
PHY 3/16-02	PHY 3/8-02	
PHY 3/16-03	PHY 3/8-03	
PHY 1/4-1/16	PHY 3/8-04	
PHY 1/4-01	PHY 1/2-01	



Metric Tube (ØD) - NPT, UNF, UNC Thread (T) 公制插管 (ØD) - NPT, UNF, UNC 螺纹 (T)	
PHY 04-U10	PHY 08-N02
PHY 04-N1/16	PHY 08-N03
PHY 04-N01	PHY 08-N04
PHY 04-N02	PHY 10-N01
PHY 04-N03	PHY 10-N02
PHY 06-U10	PHY 10-N03
PHY 06-N1/16	PHY 10-N04
PHY 06-N01	PHY 12-N01
PHY 06-N02	PHY 12-N02
PHY 06-N03	PHY 12-N03
PHY 06-N04	PHY 12-N04
PHY 08-N01	

Inch Tube (ØD) - NPT, UNF, UNC Thread (T) 英制插管 (ØD) - NPT, UNF, UNC 螺纹 (T)		
PHY 1/8-U10	PHY 1/4-U10	PHY 3/8-N03
PHY 1/8-N1/16	PHY 1/4-N1/16	PHY 3/8-N04
PHY 1/8-N01	PHY 1/4-N01	PHY 1/2-N01
PHY 1/8-N02	PHY 1/4-N02	PHY 1/2-N02
PHY 5/32-U10	PHY 1/4-N03	PHY 1/2-N03
PHY 5/32-N1/16	PHY 1/4-N04	PHY 1/2-N04
PHY 5/32-N01	PHY 5/16-N01	
PHY 5/32-N02	PHY 5/16-N02	
PHY 3/16-N1/16	PHY 5/16-N03	
PHY 3/16-N01	PHY 5/16-N04	
PHY 3/16-N02	PHY 3/8-N01	
PHY 3/16-N03	PHY 3/8-N02	



Metric Tube (ØD) - G, BSPP Thread (T) 公制插管 (ØD) - G, BSPP 螺纹 (T)	
PHY 04-G1/16	PHY 08-G04
PHY 04-G01	PHY 10-G01
PHY 04-G02	PHY 10-G02
PHY 04-G03	PHY 10-G03
PHY 06-G1/16	PHY 10-G04
PHY 06-G01	PHY 12-G01
PHY 06-G02	PHY 12-G02
PHY 06-G03	PHY 12-G03
PHY 06-G04	PHY 12-G04
PHY 08-G01	
PHY 08-G02	
PHY 08-G03	

Inch Tube (ØD) - G, BSPP Thread (T) 英制插管 (ØD) - G, BSPP 螺纹 (T)	
PHY 5/32-G1/16	PHY 5/16-G04
PHY 5/32-G01	PHY 3/8-G01
PHY 5/32-G02	PHY 3/8-G02
PHY 5/32-G03	PHY 3/8-G03
PHY 1/4-G1/16	PHY 3/8-G04
PHY 1/4-G01	PHY 1/2-G01
PHY 1/4-G02	PHY 1/2-G02
PHY 1/4-G03	PHY 1/2-G03
PHY 1/4-G04	PHY 1/2-G04
PHY 5/16-G01	
PHY 5/16-G02	
PHY 5/16-G03	



Metric Tube (ØD) - Metric Thread (T) 公制插管 (ØD) - Metric 螺纹 (T)		
PHY 04-M4	PHY 06-M14	PHY 10-M14
PHY 04-M5	PHY 06-M16	PHY 10-M16
PHY 04-M6	PHY 06-M20	PHY 10-M20
PHY 04-M8	PHY 08-M8	PHY 12-M8
PHY 04-M10	PHY 08-M10	PHY 12-M10
PHY 04-M12	PHY 08-M12	PHY 12-M12
PHY 06-M4	PHY 08-M14	PHY 12-M14
PHY 06-M5	PHY 08-M16	PHY 12-M16
PHY 06-M6	PHY 08-M20	PHY 12-M20
PHY 06-M8	PHY 10-M8	
PHY 06-M10	PHY 10-M10	
PHY 06-M12	PHY 10-M12	

Inch Tube (ØD) - Metric Thread (T) 英制插管 (ØD) - Metric 螺纹 (T)		
PHY 5/32-M4	PHY 1/4-M14	PHY 3/8-M14
PHY 5/32-M5	PHY 1/4-M16	PHY 3/8-M16
PHY 5/32-M6	PHY 1/4-M20	PHY 3/8-M20
PHY 5/32-M8	PHY 5/16-M8	PHY 1/2-M8
PHY 5/32-M10	PHY 5/16-M10	PHY 1/2-M10
PHY 5/32-M12	PHY 5/16-M12	PHY 1/2-M12
PHY 1/4-M4	PHY 5/16-M14	PHY 1/2-M14
PHY 1/4-M5	PHY 5/16-M16	PHY 1/2-M16
PHY 1/4-M6	PHY 5/16-M20	PHY 1/2-M20
PHY 1/4-M8	PHY 3/8-M8	
PHY 1/4-M10	PHY 3/8-M10	
PHY 1/4-M12	PHY 3/8-M12	

PHYF Female Banjo Y 内螺纹双管直角串联



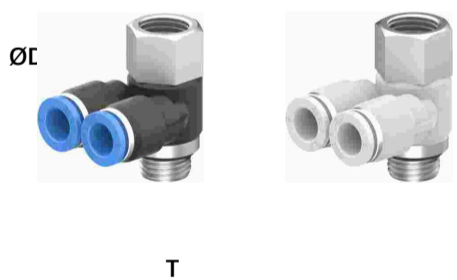
Metric Tube (ØD) - R, PT, BSPT Thread (T) 公制插管 (ØD) - R, PT, BSPT 螺纹 (T)	
PHYF 04-1/16	PHYF 08-04
PHYF 04-01	PHYF 10-01
PHYF 04-02	PHYF 10-02
PHYF 04-03	PHYF 10-03
PHYF 06-1/16	PHYF 10-04
PHYF 06-01	PHYF 12-01
PHYF 06-02	PHYF 12-02
PHYF 06-03	PHYF 12-03
PHYF 06-04	PHYF 12-04
PHYF 08-01	
PHYF 08-02	
PHYF 08-03	

Inch Tube (ØD) - R, PT, BSPT Thread (T) 英制插管 (ØD) - R, PT, BSPT 螺纹 (T)		
PHYF 1/8-1/16	PHYF 1/4-02	PHYF 1/2-02
PHYF 1/8-01	PHYF 1/4-03	PHYF 1/2-03
PHYF 1/8-02	PHYF 1/4-04	PHYF 1/2-04
PHYF 5/32-1/16	PHYF 5/16-01	
PHYF 5/32-01	PHYF 5/16-02	
PHYF 5/32-02	PHYF 5/16-03	
PHYF 3/16-1/16	PHYF 5/16-04	
PHYF 3/16-01	PHYF 3/8-01	
PHYF 3/16-02	PHYF 3/8-02	
PHYF 3/16-03	PHYF 3/8-03	
PHYF 1/4-1/16	PHYF 3/8-04	
PHYF 1/4-01	PHYF 1/2-01	



Metric Tube (ØD) - NPT, UNF, UNC Thread (T) 公制插管 (ØD) - NPT, UNF, UNC 螺纹 (T)	
PHYF 04-U10	PHYF 08-N02
PHYF 04-N1/16	PHYF 08-N03
PHYF 04-N01	PHYF 08-N04
PHYF 04-N02	PHYF 10-N01
PHYF 04-N03	PHYF 10-N02
PHYF 06-U10	PHYF 10-N03
PHYF 06-N1/16	PHYF 10-N04
PHYF 06-N01	PHYF 12-N01
PHYF 06-N02	PHYF 12-N02
PHYF 06-N03	PHYF 12-N03
PHYF 06-N04	PHYF 12-N04
PHYF 08-N01	

Inch Tube (ØD) - NPT, UNF, UNC Thread (T) 英制插管 (ØD) - NPT, UNF, UNC 螺纹 (T)		
PHYF 1/8-U10	PHYF 1/4-U10	PHYF 3/8-N03
PHYF 1/8-N1/16	PHYF 1/4-N1/16	PHYF 3/8-N04
PHYF 1/8-N01	PHYF 1/4-N01	PHYF 1/2-N01
PHYF 1/8-N02	PHYF 1/4-N02	PHYF 1/2-N02
PHYF 5/32-U10	PHYF 1/4-N03	PHYF 1/2-N03
PHYF 5/32-N1/16	PHYF 1/4-N04	PHYF 1/2-N04
PHYF 5/32-N01	PHYF 5/16-N01	
PHYF 5/32-N02	PHYF 5/16-N02	
PHYF 3/16-N1/16	PHYF 5/16-N03	
PHYF 3/16-N01	PHYF 5/16-N04	
PHYF 3/16-N02	PHYF 3/8-N01	
PHYF 3/16-N03	PHYF 3/8-N02	



Metric Tube (ØD) - G, BSPP Thread (T) 公制插管 (ØD) - G, BSPP 螺纹 (T)	
PHYF 04-G1/16	PHYF 08-G04
PHYF 04-G01	PHYF 10-G01
PHYF 04-G02	PHYF 10-G02
PHYF 04-G03	PHYF 10-G03
PHYF 06-G1/16	PHYF 10-G04
PHYF 06-G01	PHYF 12-G01
PHYF 06-G02	PHYF 12-G02
PHYF 06-G03	PHYF 12-G03
PHYF 06-G04	PHYF 12-G04
PHYF 08-G01	
PHYF 08-G02	
PHYF 08-G03	

Inch Tube (ØD) - G, BSPP Thread (T) 英制插管 (ØD) - G, BSPP 螺纹 (T)	
PHYF 5/32-G1/16	PHYF 5/16-G04
PHYF 5/32-G01	PHYF 3/8-G01
PHYF 5/32-G02	PHYF 3/8-G02
PHYF 5/32-G03	PHYF 3/8-G03
PHYF 1/4-G1/16	PHYF 3/8-G04
PHYF 1/4-G01	PHYF 1/2-G01
PHYF 1/4-G02	PHYF 1/2-G02
PHYF 1/4-G03	PHYF 1/2-G03
PHYF 1/4-G04	PHYF 1/2-G04
PHYF 5/16-G01	
PHYF 5/16-G02	
PHYF 5/16-G03	



Metric Tube (ØD) - Metric Thread (T) 公制插管 (ØD) - Metric 螺纹 (T)		
PHYF 04-M4	PHYF 06-M14	PHYF 10-M14
PHYF 04-M5	PHYF 06-M16	PHYF 10-M16
PHYF 04-M6	PHYF 06-M20	PHYF 10-M20
PHYF 04-M8	PHYF 08-M8	PHYF 12-M8
PHYF 04-M10	PHYF 08-M10	PHYF 12-M10
PHYF 04-M12	PHYF 08-M12	PHYF 12-M12
PHYF 06-M4	PHYF 08-M14	PHYF 12-M14
PHYF 06-M5	PHYF 08-M16	PHYF 12-M16
PHYF 06-M6	PHYF 08-M20	PHYF 12-M20
PHYF 06-M8	PHYF 10-M8	
PHYF 06-M10	PHYF 10-M10	
PHYF 06-M12	PHYF 10-M12	

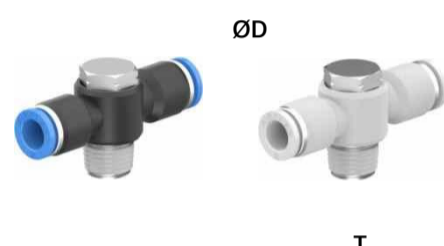
Inch Tube (ØD) - Metric Thread (T) 英制插管 (ØD) - Metric 螺纹 (T)		
PHYF 5/32-M4	PHYF 1/4-M14	PHYF 3/8-M14
PHYF 5/32-M5	PHYF 1/4-M16	PHYF 3/8-M16
PHYF 5/32-M6	PHYF 1/4-M20	PHYF 3/8-M20
PHYF 5/32-M8	PHYF 5/16-M8	PHYF 1/2-M8
PHYF 5/32-M10	PHYF 5/16-M10	PHYF 1/2-M10
PHYF 5/32-M12	PHYF 5/16-M12	PHYF 1/2-M12
PHYF 1/4-M4	PHYF 5/16-M14	PHYF 1/2-M14
PHYF 1/4-M5	PHYF 5/16-M16	PHYF 1/2-M16
PHYF 1/4-M6	PHYF 5/16-M20	PHYF 1/2-M20
PHYF 1/4-M8	PHYF 3/8-M8	
PHYF 1/4-M10	PHYF 3/8-M10	
PHYF 1/4-M12	PHYF 3/8-M12	

PGT Hexagon Male Branch Union 外六角双向接头



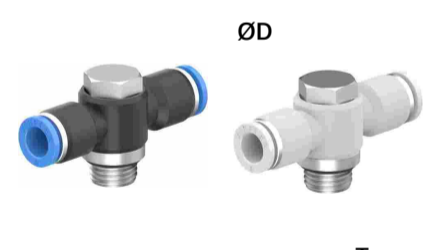
Metric Tube (ØD) - R, PT, BSPT Thread (T) 公制插管 (ØD) - R, PT, BSPT 螺纹 (T)	
PGT 04-1/16	PGT 08-04
PGT 04-01	PGT 10-01
PGT 04-02	PGT 10-02
PGT 04-03	PGT 10-03
PGT 06-1/16	PGT 10-04
PGT 06-01	PGT 12-01
PGT 06-02	PGT 12-02
PGT 06-03	PGT 12-03
PGT 06-04	PGT 12-04
PGT 08-01	
PGT 08-02	
PGT 08-03	

Inch Tube (ØD) - R, PT, BSPT Thread (T) 英制插管 (ØD) - R, PT, BSPT 螺纹 (T)		
PGT 1/8-1/16	PGT 1/4-02	PGT 1/2-02
PGT 1/8-01	PGT 1/4-03	PGT 1/2-03
PGT 1/8-02	PGT 1/4-04	PGT 1/2-04
PGT 5/32-1/16	PGT 5/16-01	
PGT 5/32-01	PGT 5/16-02	
PGT 5/32-02	PGT 5/16-03	
PGT 3/16-1/16	PGT 5/16-04	
PGT 3/16-01	PGT 3/8-01	
PGT 3/16-02	PGT 3/8-02	
PGT 3/16-03	PGT 3/8-03	
PGT 1/4-1/16	PGT 3/8-04	
PGT 1/4-01	PGT 1/2-01	



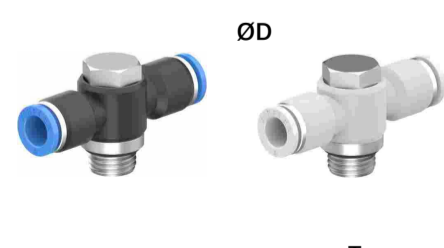
Metric Tube (ØD) - NPT, UNF, UNC Thread (T) 公制插管 (ØD) - NPT, UNF, UNC 螺纹 (T)	
PGT 04-U10	PGT 08-N02
PGT 04-N1/16	PGT 08-N03
PGT 04-N01	PGT 08-N04
PGT 04-N02	PGT 10-N01
PGT 04-N03	PGT 10-N02
PGT 06-U10	PGT 10-N03
PGT 06-N1/16	PGT 10-N04
PGT 06-N01	PGT 12-N01
PGT 06-N02	PGT 12-N02
PGT 06-N03	PGT 12-N03
PGT 06-N04	PGT 12-N04
PGT 08-N01	

Inch Tube (ØD) - NPT, UNF, UNC Thread (T) 英制插管 (ØD) - NPT, UNF, UNC 螺纹 (T)		
PGT 1/8-U10	PGT 1/4-U10	PGT 3/8-N03
PGT 1/8-N1/16	PGT 1/4-N1/16	PGT 3/8-N04
PGT 1/8-N01	PGT 1/4-N01	PGT 1/2-N01
PGT 1/8-N02	PGT 1/4-N02	PGT 1/2-N02
PGT 5/32-U10	PGT 1/4-N03	PGT 1/2-N03
PGT 5/32-N1/16	PGT 1/4-N04	PGT 1/2-N04
PGT 5/32-N01	PGT 5/16-N01	
PGT 5/32-N02	PGT 5/16-N02	
PGT 3/16-N1/16	PGT 5/16-N03	
PGT 3/16-N01	PGT 5/16-N04	
PGT 3/16-N02	PGT 3/8-N01	
PGT 3/16-N03	PGT 3/8-N02	



Metric Tube (ØD) - G, BSPP Thread (T) 公制插管 (ØD) - G, BSPP 螺纹 (T)	
PGT 04-G1/16	PGT 08-G04
PGT 04-G01	PGT 10-G01
PGT 04-G02	PGT 10-G02
PGT 04-G03	PGT 10-G03
PGT 06-G1/16	PGT 10-G04
PGT 06-G01	PGT 12-G01
PGT 06-G02	PGT 12-G02
PGT 06-G03	PGT 12-G03
PGT 06-G04	PGT 12-G04
PGT 08-G01	
PGT 08-G02	
PGT 08-G03	

Inch Tube (ØD) - G, BSPP Thread (T) 英制插管 (ØD) - G, BSPP 螺纹 (T)	
PGT 5/32-G1/16	PGT 5/16-G04
PGT 5/32-G01	PGT 3/8-G01
PGT 5/32-G02	PGT 3/8-G02
PGT 5/32-G03	PGT 3/8-G03
PGT 1/4-G1/16	PGT 3/8-G04
PGT 1/4-G01	PGT 1/2-G01
PGT 1/4-G02	PGT 1/2-G02
PGT 1/4-G03	PGT 1/2-G03
PGT 1/4-G04	PGT 1/2-G04
PGT 5/16-G01	
PGT 5/16-G02	
PGT 5/16-G03	



Metric Tube (ØD) - Metric Thread (T) 公制插管 (ØD) - Metric 螺纹 (T)		
PGT 04-M4	PGT 06-M14	PGT 10-M14
PGT 04-M5	PGT 06-M16	PGT 10-M16
PGT 04-M6	PGT 06-M20	PGT 10-M20
PGT 04-M8	PGT 08-M8	PGT 12-M8
PGT 04-M10	PGT 08-M10	PGT 12-M10
PGT 04-M12	PGT 08-M12	PGT 12-M12
PGT 06-M4	PGT 08-M14	PGT 12-M14
PGT 06-M5	PGT 08-M16	PGT 12-M16
PGT 06-M6	PGT 08-M20	PGT 12-M20
PGT 06-M8	PGT 10-M8	
PGT 06-M10	PGT 10-M10	
PGT 06-M12	PGT 10-M12	

Inch Tube (ØD) - Metric Thread (T) 英制插管 (ØD) - Metric 螺纹 (T)		
PGT 5/32-M4	PGT 1/4-M14	PGT 3/8-M14
PGT 5/32-M5	PGT 1/4-M16	PGT 3/8-M16
PGT 5/32-M6	PGT 1/4-M20	PGT 3/8-M20
PGT 5/32-M8	PGT 5/16-M8	PGT 1/2-M8
PGT 5/32-M10	PGT 5/16-M10	PGT 1/2-M10
PGT 5/32-M12	PGT 5/16-M12	PGT 1/2-M12
PGT 1/4-M4	PGT 5/16-M14	PGT 1/2-M14
PGT 1/4-M5	PGT 5/16-M16	PGT 1/2-M16
PGT 1/4-M6	PGT 5/16-M20	PGT 1/2-M20
PGT 1/4-M8	PGT 3/8-M8	
PGT 1/4-M10	PGT 3/8-M10	
PGT 1/4-M12	PGT 3/8-M12	

PHDY Male Double Banjo Y 外螺纹四管直角串联

ØD



T

Metric Tube (ØD) - R, PT, BSPT Thread (T) 公制插管 (ØD) - R, PT, BSPT 螺纹 (T)	
PHDY 04-1/16	PHDY 08-04
PHDY 04-01	PHDY 10-01
PHDY 04-02	PHDY 10-02
PHDY 04-03	PHDY 10-03
PHDY 06-1/16	PHDY 10-04
PHDY 06-01	PHDY 12-01
PHDY 06-02	PHDY 12-02
PHDY 06-03	PHDY 12-03
PHDY 06-04	PHDY 12-04
PHDY 08-01	
PHDY 08-02	
PHDY 08-03	

Inch Tube (ØD) - R, PT, BSPT Thread (T) 英制插管 (ØD) - R, PT, BSPT 螺纹 (T)		
PHDY 1/8-1/16	PHDY 1/4-02	PHDY 1/2-02
PHDY 1/8-01	PHDY 1/4-03	PHDY 1/2-03
PHDY 1/8-02	PHDY 1/4-04	PHDY 1/2-04
PHDY 5/32-1/16	PHDY 5/16-01	
PHDY 5/32-01	PHDY 5/16-02	
PHDY 5/32-02	PHDY 5/16-03	
PHDY 3/16-1/16	PHDY 5/16-04	
PHDY 3/16-01	PHDY 3/8-01	
PHDY 3/16-02	PHDY 3/8-02	
PHDY 3/16-03	PHDY 3/8-03	
PHDY 1/4-1/16	PHDY 3/8-04	
PHDY 1/4-01	PHDY 1/2-01	

ØD

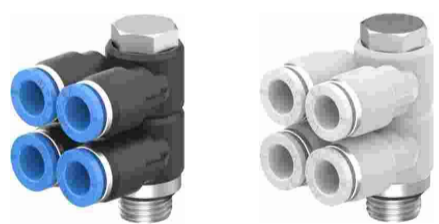


T

Metric Tube (ØD) - NPT, UNF, UNC Thread (T) 公制插管 (ØD) - NPT, UNF, UNC 螺纹 (T)	
PHDY 04-U10	PHDY 08-N02
PHDY 04-N1/16	PHDY 08-N03
PHDY 04-N01	PHDY 08-N04
PHDY 04-N02	PHDY 10-N01
PHDY 04-N03	PHDY 10-N02
PHDY 06-U10	PHDY 10-N03
PHDY 06-N1/16	PHDY 10-N04
PHDY 06-N01	PHDY 12-N01
PHDY 06-N02	PHDY 12-N02
PHDY 06-N03	PHDY 12-N03
PHDY 06-N04	PHDY 12-N04
PHDY 08-N01	

Inch Tube (ØD) - NPT, UNF, UNC Thread (T) 英制插管 (ØD) - NPT, UNF, UNC 螺纹 (T)		
PHDY 1/8-U10	PHDY 1/4-U10	PHDY 3/8-N03
PHDY 1/8-N1/16	PHDY 1/4-N1/16	PHDY 3/8-N04
PHDY 1/8-N01	PHDY 1/4-N01	PHDY 1/2-N01
PHDY 1/8-N02	PHDY 1/4-N02	PHDY 1/2-N02
PHDY 5/32-U10	PHDY 1/4-N03	PHDY 1/2-N03
PHDY 5/32-N1/16	PHDY 1/4-N04	PHDY 1/2-N04
PHDY 5/32-N01	PHDY 5/16-N01	
PHDY 5/32-N02	PHDY 5/16-N02	
PHDY 3/16-N1/16	PHDY 5/16-N03	
PHDY 3/16-N01	PHDY 5/16-N04	
PHDY 3/16-N02	PHDY 3/8-N01	
PHDY 3/16-N03	PHDY 3/8-N02	

ØD



T

Metric Tube (ØD) - G, BSPP Thread (T) 公制插管 (ØD) - G, BSPP 螺纹 (T)	
PHDY 04-G1/16	PHDY 08-G04
PHDY 04-G01	PHDY 10-G01
PHDY 04-G02	PHDY 10-G02
PHDY 04-G03	PHDY 10-G03
PHDY 06-G1/16	PHDY 10-G04
PHDY 06-G01	PHDY 12-G01
PHDY 06-G02	PHDY 12-G02
PHDY 06-G03	PHDY 12-G03
PHDY 06-G04	PHDY 12-G04
PHDY 08-G01	
PHDY 08-G02	
PHDY 08-G03	

Inch Tube (ØD) - G, BSPP Thread (T) 英制插管 (ØD) - G, BSPP 螺纹 (T)	
PHDY 5/32-G1/16	PHDY 5/16-G04
PHDY 5/32-G01	PHDY 3/8-G01
PHDY 5/32-G02	PHDY 3/8-G02
PHDY 5/32-G03	PHDY 3/8-G03
PHDY 1/4-G1/16	PHDY 3/8-G04
PHDY 1/4-G01	PHDY 1/2-G01
PHDY 1/4-G02	PHDY 1/2-G02
PHDY 1/4-G03	PHDY 1/2-G03
PHDY 1/4-G04	PHDY 1/2-G04
PHDY 5/16-G01	
PHDY 5/16-G02	
PHDY 5/16-G03	

ØD



T

Metric Tube (ØD) - Metric Thread (T) 公制插管 (ØD) - Metric 螺纹 (T)		
PHDY 04-M4	PHDY 06-M14	PHDY 10-M14
PHDY 04-M5	PHDY 06-M16	PHDY 10-M16
PHDY 04-M6	PHDY 06-M20	PHDY 10-M20
PHDY 04-M8	PHDY 08-M8	PHDY 12-M8
PHDY 04-M10	PHDY 08-M10	PHDY 12-M10
PHDY 04-M12	PHDY 08-M12	PHDY 12-M12
PHDY 06-M4	PHDY 08-M14	PHDY 12-M14
PHDY 06-M5	PHDY 08-M16	PHDY 12-M16
PHDY 06-M6	PHDY 08-M20	PHDY 12-M20
PHDY 06-M8	PHDY 10-M8	
PHDY 06-M10	PHDY 10-M10	
PHDY 06-M12	PHDY 10-M12	

Inch Tube (ØD) - Metric Thread (T) 英制插管 (ØD) - Metric 螺纹 (T)		
PHDY 5/32-M4	PHDY 1/4-M14	PHDY 3/8-M14
PHDY 5/32-M5	PHDY 1/4-M16	PHDY 3/8-M16
PHDY 5/32-M6	PHDY 1/4-M20	PHDY 3/8-M20
PHDY 5/32-M8	PHDY 5/16-M8	PHDY 1/2-M8
PHDY 5/32-M10	PHDY 5/16-M10	PHDY 1/2-M10
PHDY 5/32-M12	PHDY 5/16-M12	PHDY 1/2-M12
PHDY 1/4-M4	PHDY 5/16-M14	PHDY 1/2-M14
PHDY 1/4-M5	PHDY 5/16-M16	PHDY 1/2-M16
PHDY 1/4-M6	PHDY 5/16-M20	PHDY 1/2-M20
PHDY 1/4-M8	PHDY 3/8-M8	
PHDY 1/4-M10	PHDY 3/8-M10	
PHDY 1/4-M12	PHDY 3/8-M12	

PHTY Male Triple Banjo Y 外螺纹六管直角串联

∅D



T

Metric Tube (∅D) - R, PT, BSPT Thread (T) 公制插管 (∅D) - R, PT, BSPT 螺纹 (T)	
PHTY 04-1/16	PHTY 08-04
PHTY 04-01	PHTY 10-01
PHTY 04-02	PHTY 10-02
PHTY 04-03	PHTY 10-03
PHTY 06-1/16	PHTY 10-04
PHTY 06-01	PHTY 12-01
PHTY 06-02	PHTY 12-02
PHTY 06-03	PHTY 12-03
PHTY 06-04	PHTY 12-04
PHTY 08-01	
PHTY 08-02	
PHTY 08-03	

Inch Tube (∅D) - R, PT, BSPT Thread (T) 英制插管 (∅D) - R, PT, BSPT 螺纹 (T)		
PHTY 1/8-1/16	PHTY 1/4-02	PHTY 1/2-02
PHTY 1/8-01	PHTY 1/4-03	PHTY 1/2-03
PHTY 1/8-02	PHTY 1/4-04	PHTY 1/2-04
PHTY 5/32-1/16	PHTY 5/16-01	
PHTY 5/32-01	PHTY 5/16-02	
PHTY 5/32-02	PHTY 5/16-03	
PHTY 3/16-1/16	PHTY 5/16-04	
PHTY 3/16-01	PHTY 3/8-01	
PHTY 3/16-02	PHTY 3/8-02	
PHTY 3/16-03	PHTY 3/8-03	
PHTY 1/4-1/16	PHTY 3/8-04	
PHTY 1/4-01	PHTY 1/2-01	

∅D



T

Metric Tube (∅D) - NPT, UNF, UNC Thread (T) 公制插管 (∅D) - NPT, UNF, UNC 螺纹 (T)	
PHTY 04-U10	PHTY 08-N02
PHTY 04-N1/16	PHTY 08-N03
PHTY 04-N01	PHTY 08-N04
PHTY 04-N02	PHTY 10-N01
PHTY 04-N03	PHTY 10-N02
PHTY 06-U10	PHTY 10-N03
PHTY 06-N1/16	PHTY 10-N04
PHTY 06-N01	PHTY 12-N01
PHTY 06-N02	PHTY 12-N02
PHTY 06-N03	PHTY 12-N03
PHTY 06-N04	PHTY 12-N04
PHTY 08-N01	

Inch Tube (∅D) - NPT, UNF, UNC Thread (T) 英制插管 (∅D) - NPT, UNF, UNC 螺纹 (T)		
PHTY 1/8-U10	PHTY 1/4-U10	PHTY 3/8-N03
PHTY 1/8-N1/16	PHTY 1/4-N1/16	PHTY 3/8-N04
PHTY 1/8-N01	PHTY 1/4-N01	PHTY 1/2-N01
PHTY 1/8-N02	PHTY 1/4-N02	PHTY 1/2-N02
PHTY 5/32-U10	PHTY 1/4-N03	PHTY 1/2-N03
PHTY 5/32-N1/16	PHTY 1/4-N04	PHTY 1/2-N04
PHTY 5/32-N01	PHTY 5/16-N01	
PHTY 5/32-N02	PHTY 5/16-N02	
PHTY 3/16-N1/16	PHTY 5/16-N03	
PHTY 3/16-N01	PHTY 5/16-N04	
PHTY 3/16-N02	PHTY 3/8-N01	
PHTY 3/16-N03	PHTY 3/8-N02	

∅D



T

Metric Tube (∅D) - G, BSPP Thread (T) 公制插管 (∅D) - G, BSPP 螺纹 (T)	
PHTY 04-G1/16	PHTY 08-G04
PHTY 04-G01	PHTY 10-G01
PHTY 04-G02	PHTY 10-G02
PHTY 04-G03	PHTY 10-G03
PHTY 06-G1/16	PHTY 10-G04
PHTY 06-G01	PHTY 12-G01
PHTY 06-G02	PHTY 12-G02
PHTY 06-G03	PHTY 12-G03
PHTY 06-G04	PHTY 12-G04
PHTY 08-G01	
PHTY 08-G02	
PHTY 08-G03	

Inch Tube (∅D) - G, BSPP Thread (T) 英制插管 (∅D) - G, BSPP 螺纹 (T)	
PHTY 5/32-G1/16	PHTY 5/16-G04
PHTY 5/32-G01	PHTY 3/8-G01
PHTY 5/32-G02	PHTY 3/8-G02
PHTY 5/32-G03	PHTY 3/8-G03
PHTY 1/4-G1/16	PHTY 3/8-G04
PHTY 1/4-G01	PHTY 1/2-G01
PHTY 1/4-G02	PHTY 1/2-G02
PHTY 1/4-G03	PHTY 1/2-G03
PHTY 1/4-G04	PHTY 1/2-G04
PHTY 5/16-G01	
PHTY 5/16-G02	
PHTY 5/16-G03	

∅D



T

Metric Tube (∅D) - Metric Thread (T) 公制插管 (∅D) - Metric 螺纹 (T)		
PHTY 04-M4	PHTY 06-M14	PHTY 10-M14
PHTY 04-M5	PHTY 06-M16	PHTY 10-M16
PHTY 04-M6	PHTY 06-M20	PHTY 10-M20
PHTY 04-M8	PHTY 08-M8	PHTY 12-M8
PHTY 04-M10	PHTY 08-M10	PHTY 12-M10
PHTY 04-M12	PHTY 08-M12	PHTY 12-M12
PHTY 06-M4	PHTY 08-M14	PHTY 12-M14
PHTY 06-M5	PHTY 08-M16	PHTY 12-M16
PHTY 06-M6	PHTY 08-M20	PHTY 12-M20
PHTY 06-M8	PHTY 10-M8	
PHTY 06-M10	PHTY 10-M10	
PHTY 06-M12	PHTY 10-M12	

Inch Tube (∅D) - Metric Thread (T) 英制插管 (∅D) - Metric 螺纹 (T)		
PHTY 5/32-M4	PHTY 1/4-M14	PHTY 3/8-M14
PHTY 5/32-M5	PHTY 1/4-M16	PHTY 3/8-M16
PHTY 5/32-M6	PHTY 1/4-M20	PHTY 3/8-M20
PHTY 5/32-M8	PHTY 5/16-M8	PHTY 1/2-M8
PHTY 5/32-M10	PHTY 5/16-M10	PHTY 1/2-M10
PHTY 5/32-M12	PHTY 5/16-M12	PHTY 1/2-M12
PHTY 1/4-M4	PHTY 5/16-M14	PHTY 1/2-M14
PHTY 1/4-M5	PHTY 5/16-M16	PHTY 1/2-M16
PHTY 1/4-M6	PHTY 5/16-M20	PHTY 1/2-M20
PHTY 1/4-M8	PHTY 3/8-M8	
PHTY 1/4-M10	PHTY 3/8-M10	
PHTY 1/4-M12	PHTY 3/8-M12	

PHD Male Double Banjo 外螺纹(2)直角串联



Metric Tube (ØD) - R, PT, BSPT Thread (T) 公制插管 (ØD) - R, PT, BSPT 螺纹 (T)	
PHD 04-1/16	PHD 08-04
PHD 04-01	PHD 10-01
PHD 04-02	PHD 10-02
PHD 04-03	PHD 10-03
PHD 06-1/16	PHD 10-04
PHD 06-01	PHD 12-01
PHD 06-02	PHD 12-02
PHD 06-03	PHD 12-03
PHD 06-04	PHD 12-04
PHD 08-01	
PHD 08-02	
PHD 08-03	

Inch Tube (ØD) - R, PT, BSPT Thread (T) 英制插管 (ØD) - R, PT, BSPT 螺纹 (T)		
PHD 1/8-1/16	PHD 1/4-02	PHD 1/2-02
PHD 1/8-01	PHD 1/4-03	PHD 1/2-03
PHD 1/8-02	PHD 1/4-04	PHD 1/2-04
PHD 5/32-1/16	PHD 5/16-01	
PHD 5/32-01	PHD 5/16-02	
PHD 5/32-02	PHD 5/16-03	
PHD 3/16-1/16	PHD 5/16-04	
PHD 3/16-01	PHD 3/8-01	
PHD 3/16-02	PHD 3/8-02	
PHD 3/16-03	PHD 3/8-03	
PHD 1/4-1/16	PHD 3/8-04	
PHD 1/4-01	PHD 1/2-01	



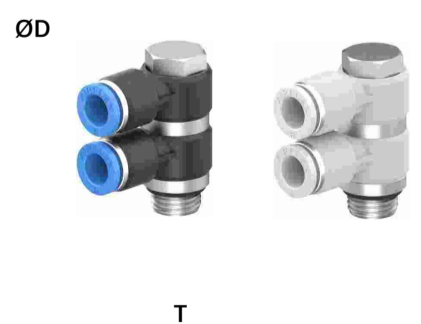
Metric Tube (ØD) - NPT, UNF, UNC Thread (T) 公制插管 (ØD) - NPT, UNF, UNC 螺纹 (T)	
PHD 04-U10	PHD 08-N02
PHD 04-N1/16	PHD 08-N03
PHD 04-N01	PHD 08-N04
PHD 04-N02	PHD 10-N01
PHD 04-N03	PHD 10-N02
PHD 06-U10	PHD 10-N03
PHD 06-N1/16	PHD 10-N04
PHD 06-N01	PHD 12-N01
PHD 06-N02	PHD 12-N02
PHD 06-N03	PHD 12-N03
PHD 06-N04	PHD 12-N04
PHD 08-N01	

Inch Tube (ØD) - NPT, UNF, UNC Thread (T) 英制插管 (ØD) - NPT, UNF, UNC 螺纹 (T)		
PHD 1/8-U10	PHD 1/4-U10	PHD 3/8-N03
PHD 1/8-N1/16	PHD 1/4-N1/16	PHD 3/8-N04
PHD 1/8-N01	PHD 1/4-N01	PHD 1/2-N01
PHD 1/8-N02	PHD 1/4-N02	PHD 1/2-N02
PHD 5/32-U10	PHD 1/4-N03	PHD 1/2-N03
PHD 5/32-N1/16	PHD 1/4-N04	PHD 1/2-N04
PHD 5/32-N01	PHD 5/16-N01	
PHD 5/32-N02	PHD 5/16-N02	
PHD 3/16-N1/16	PHD 5/16-N03	
PHD 3/16-N01	PHD 5/16-N04	
PHD 3/16-N02	PHD 3/8-N01	
PHD 3/16-N03	PHD 3/8-N02	



Metric Tube (ØD) - G, BSPP Thread (T) 公制插管 (ØD) - G, BSPP 螺纹 (T)	
PHD 04-G1/16	PHD 08-G04
PHD 04-G01	PHD 10-G01
PHD 04-G02	PHD 10-G02
PHD 04-G03	PHD 10-G03
PHD 06-G1/16	PHD 10-G04
PHD 06-G01	PHD 12-G01
PHD 06-G02	PHD 12-G02
PHD 06-G03	PHD 12-G03
PHD 06-G04	PHD 12-G04
PHD 08-G01	
PHD 08-G02	
PHD 08-G03	

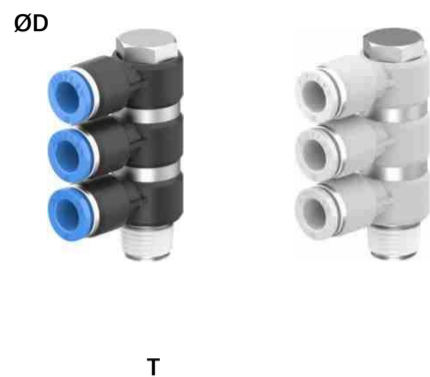
Inch Tube (ØD) - G, BSPP Thread (T) 英制插管 (ØD) - G, BSPP 螺纹 (T)	
PHD 5/32-G1/16	PHD 5/16-G04
PHD 5/32-G01	PHD 3/8-G01
PHD 5/32-G02	PHD 3/8-G02
PHD 5/32-G03	PHD 3/8-G03
PHD 1/4-G1/16	PHD 3/8-G04
PHD 1/4-G01	PHD 1/2-G01
PHD 1/4-G02	PHD 1/2-G02
PHD 1/4-G03	PHD 1/2-G03
PHD 1/4-G04	PHD 1/2-G04
PHD 5/16-G01	
PHD 5/16-G02	
PHD 5/16-G03	



Metric Tube (ØD) - Metric Thread (T) 公制插管 (ØD) - Metric 螺纹 (T)		
PHD 04-M4	PHD 06-M14	PHD 10-M14
PHD 04-M5	PHD 06-M16	PHD 10-M16
PHD 04-M6	PHD 06-M20	PHD 10-M20
PHD 04-M8	PHD 08-M8	PHD 12-M8
PHD 04-M10	PHD 08-M10	PHD 12-M10
PHD 04-M12	PHD 08-M12	PHD 12-M12
PHD 06-M4	PHD 08-M14	PHD 12-M14
PHD 06-M5	PHD 08-M16	PHD 12-M16
PHD 06-M6	PHD 08-M20	PHD 12-M20
PHD 06-M8	PHD 10-M8	
PHD 06-M10	PHD 10-M10	
PHD 06-M12	PHD 10-M12	

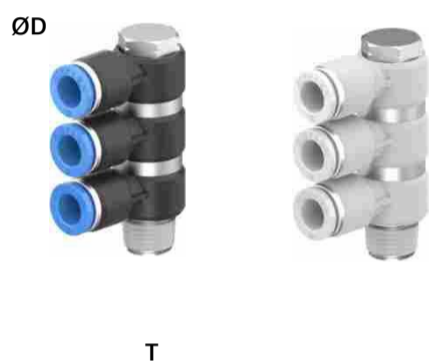
Inch Tube (ØD) - Metric Thread (T) 英制插管 (ØD) - Metric 螺纹 (T)		
PHD 5/32-M4	PHD 1/4-M14	PHD 3/8-M14
PHD 5/32-M5	PHD 1/4-M16	PHD 3/8-M16
PHD 5/32-M6	PHD 1/4-M20	PHD 3/8-M20
PHD 5/32-M8	PHD 5/16-M8	PHD 1/2-M8
PHD 5/32-M10	PHD 5/16-M10	PHD 1/2-M10
PHD 5/32-M12	PHD 5/16-M12	PHD 1/2-M12
PHD 1/4-M4	PHD 5/16-M14	PHD 1/2-M14
PHD 1/4-M5	PHD 5/16-M16	PHD 1/2-M16
PHD 1/4-M6	PHD 5/16-M20	PHD 1/2-M20
PHD 1/4-M8	PHD 3/8-M8	
PHD 1/4-M10	PHD 3/8-M10	
PHD 1/4-M12	PHD 3/8-M12	

PHT Male Triple Banjo 外螺纹(3)直角串联



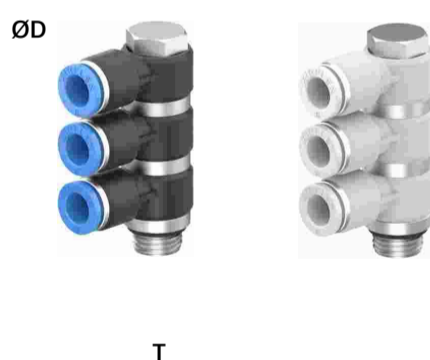
Metric Tube (ØD) - R, PT, BSPT Thread (T) 公制插管 (ØD) - R, PT, BSPT 螺纹 (T)	
PHT 04-1/16	PHT 08-04
PHT 04-01	PHT 10-01
PHT 04-02	PHT 10-02
PHT 04-03	PHT 10-03
PHT 06-1/16	PHT 10-04
PHT 06-01	PHT 12-01
PHT 06-02	PHT 12-02
PHT 06-03	PHT 12-03
PHT 06-04	PHT 12-04
PHT 08-01	
PHT 08-02	
PHT 08-03	

Inch Tube (ØD) - R, PT, BSPT Thread (T) 英制插管 (ØD) - R, PT, BSPT 螺纹 (T)		
PHT 1/8-1/16	PHT 1/4-02	PHT 1/2-02
PHT 1/8-01	PHT 1/4-03	PHT 1/2-03
PHT 1/8-02	PHT 1/4-04	PHT 1/2-04
PHT 5/32-1/16	PHT 5/16-01	
PHT 5/32-01	PHT 5/16-02	
PHT 5/32-02	PHT 5/16-03	
PHT 3/16-1/16	PHT 5/16-04	
PHT 3/16-01	PHT 3/8-01	
PHT 3/16-02	PHT 3/8-02	
PHT 3/16-03	PHT 3/8-03	
PHT 1/4-1/16	PHT 3/8-04	
PHT 1/4-01	PHT 1/2-01	



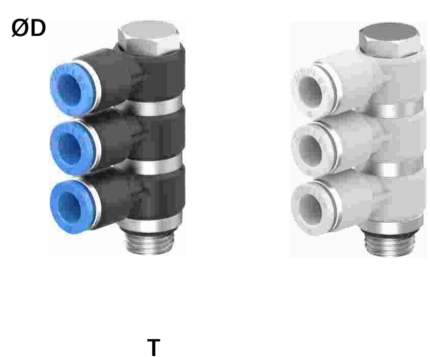
Metric Tube (ØD) - NPT, UNF, UNC Thread (T) 公制插管 (ØD) - NPT, UNF, UNC 螺纹 (T)	
PHT 04-U10	PHT 08-N02
PHT 04-N1/16	PHT 08-N03
PHT 04-N01	PHT 08-N04
PHT 04-N02	PHT 10-N01
PHT 04-N03	PHT 10-N02
PHT 06-U10	PHT 10-N03
PHT 06-N1/16	PHT 10-N04
PHT 06-N01	PHT 12-N01
PHT 06-N02	PHT 12-N02
PHT 06-N03	PHT 12-N03
PHT 06-N04	PHT 12-N04
PHT 08-N01	

Inch Tube (ØD) - NPT, UNF, UNC Thread (T) 英制插管 (ØD) - NPT, UNF, UNC 螺纹 (T)		
PHT 1/8-U10	PHT 1/4-U10	PHT 3/8-N03
PHT 1/8-N1/16	PHT 1/4-N1/16	PHT 3/8-N04
PHT 1/8-N01	PHT 1/4-N01	PHT 1/2-N01
PHT 1/8-N02	PHT 1/4-N02	PHT 1/2-N02
PHT 5/32-U10	PHT 1/4-N03	PHT 1/2-N03
PHT 5/32-N1/16	PHT 1/4-N04	PHT 1/2-N04
PHT 5/32-N01	PHT 5/16-N01	
PHT 5/32-N02	PHT 5/16-N02	
PHT 3/16-N1/16	PHT 5/16-N03	
PHT 3/16-N01	PHT 5/16-N04	
PHT 3/16-N02	PHT 3/8-N01	
PHT 3/16-N03	PHT 3/8-N02	



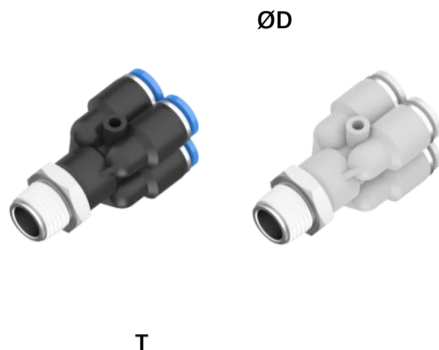
Metric Tube (ØD) - G, BSPP Thread (T) 公制插管 (ØD) - G, BSPP 螺纹 (T)	
PHT 04-G1/16	PHT 08-G04
PHT 04-G01	PHT 10-G01
PHT 04-G02	PHT 10-G02
PHT 04-G03	PHT 10-G03
PHT 06-G1/16	PHT 10-G04
PHT 06-G01	PHT 12-G01
PHT 06-G02	PHT 12-G02
PHT 06-G03	PHT 12-G03
PHT 06-G04	PHT 12-G04
PHT 08-G01	
PHT 08-G02	
PHT 08-G03	

Inch Tube (ØD) - G, BSPP Thread (T) 英制插管 (ØD) - G, BSPP 螺纹 (T)	
PHT 5/32-G1/16	PHT 5/16-G04
PHT 5/32-G01	PHT 3/8-G01
PHT 5/32-G02	PHT 3/8-G02
PHT 5/32-G03	PHT 3/8-G03
PHT 1/4-G1/16	PHT 3/8-G04
PHT 1/4-G01	PHT 1/2-G01
PHT 1/4-G02	PHT 1/2-G02
PHT 1/4-G03	PHT 1/2-G03
PHT 1/4-G04	PHT 1/2-G04
PHT 5/16-G01	
PHT 5/16-G02	
PHT 5/16-G03	



Metric Tube (ØD) - Metric Thread (T) 公制插管 (ØD) - Metric 螺纹 (T)		
PHT 04-M4	PHT 06-M14	PHT 10-M14
PHT 04-M5	PHT 06-M16	PHT 10-M16
PHT 04-M6	PHT 06-M20	PHT 10-M20
PHT 04-M8	PHT 08-M8	PHT 12-M8
PHT 04-M10	PHT 08-M10	PHT 12-M10
PHT 04-M12	PHT 08-M12	PHT 12-M12
PHT 06-M4	PHT 08-M14	PHT 12-M14
PHT 06-M5	PHT 08-M16	PHT 12-M16
PHT 06-M6	PHT 08-M20	PHT 12-M20
PHT 06-M8	PHT 10-M8	
PHT 06-M10	PHT 10-M10	
PHT 06-M12	PHT 10-M12	

Inch Tube (ØD) - Metric Thread (T) 英制插管 (ØD) - Metric 螺纹 (T)		
PHT 5/32-M4	PHT 1/4-M14	PHT 3/8-M14
PHT 5/32-M5	PHT 1/4-M16	PHT 3/8-M16
PHT 5/32-M6	PHT 1/4-M20	PHT 3/8-M20
PHT 5/32-M8	PHT 5/16-M8	PHT 1/2-M8
PHT 5/32-M10	PHT 5/16-M10	PHT 1/2-M10
PHT 5/32-M12	PHT 5/16-M12	PHT 1/2-M12
PHT 1/4-M4	PHT 5/16-M14	PHT 1/2-M14
PHT 1/4-M5	PHT 5/16-M16	PHT 1/2-M16
PHT 1/4-M6	PHT 5/16-M20	PHT 1/2-M20
PHT 1/4-M8	PHT 3/8-M8	
PHT 1/4-M10	PHT 3/8-M10	
PHT 1/4-M12	PHT 3/8-M12	

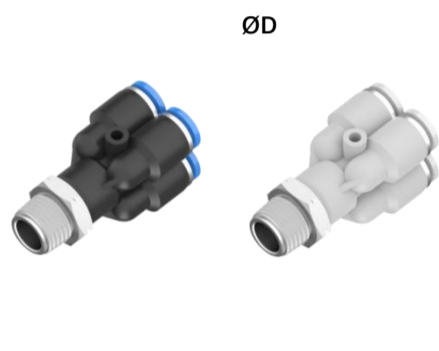


ØD

T

Metric Tube (ØD) - R, PT, BSPT Thread (T) 公制插管 (ØD) - R, PT, BSPT 螺纹 (T)	
PHX 04-1/16	PHX 08-04
PHX 04-01	PHX 10-01
PHX 04-02	PHX 10-02
PHX 04-03	PHX 10-03
PHX 06-1/16	PHX 10-04
PHX 06-01	PHX 12-01
PHX 06-02	PHX 12-02
PHX 06-03	PHX 12-03
PHX 06-04	PHX 12-04
PHX 08-01	
PHX 08-02	
PHX 08-03	

Inch Tube (ØD) - R, PT, BSPT Thread (T) 英制插管 (ØD) - R, PT, BSPT 螺纹 (T)		
PHX 1/8-1/16	PHX 1/4-02	PHX 1/2-02
PHX 1/8-01	PHX 1/4-03	PHX 1/2-03
PHX 1/8-02	PHX 1/4-04	PHX 1/2-04
PHX 5/32-1/16	PHX 5/16-01	
PHX 5/32-01	PHX 5/16-02	
PHX 5/32-02	PHX 5/16-03	
PHX 3/16-1/16	PHX 5/16-04	
PHX 3/16-01	PHX 3/8-01	
PHX 3/16-02	PHX 3/8-02	
PHX 3/16-03	PHX 3/8-03	
PHX 1/4-1/16	PHX 3/8-04	
PHX 1/4-01	PHX 1/2-01	

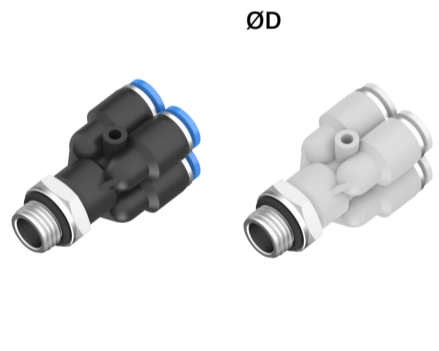


ØD

T

Metric Tube (ØD) - NPT, UNF, UNC Thread (T) 公制插管 (ØD) - NPT, UNF, UNC 螺纹 (T)	
PHX 04-U10	PHX 08-N02
PHX 04-N1/16	PHX 08-N03
PHX 04-N01	PHX 08-N04
PHX 04-N02	PHX 10-N01
PHX 04-N03	PHX 10-N02
PHX 06-U10	PHX 10-N03
PHX 06-N1/16	PHX 10-N04
PHX 06-N01	PHX 12-N01
PHX 06-N02	PHX 12-N02
PHX 06-N03	PHX 12-N03
PHX 06-N04	PHX 12-N04
PHX 08-N01	

Inch Tube (ØD) - NPT, UNF, UNC Thread (T) 英制插管 (ØD) - NPT, UNF, UNC 螺纹 (T)		
PHX 1/8-U10	PHX 1/4-U10	PHX 3/8-N03
PHX 1/8-N1/16	PHX 1/4-N1/16	PHX 3/8-N04
PHX 1/8-N01	PHX 1/4-N01	PHX 1/2-N01
PHX 1/8-N02	PHX 1/4-N02	PHX 1/2-N02
PHX 5/32-U10	PHX 1/4-N03	PHX 1/2-N03
PHX 5/32-N1/16	PHX 1/4-N04	PHX 1/2-N04
PHX 5/32-N01	PHX 5/16-N01	
PHX 5/32-N02	PHX 5/16-N02	
PHX 3/16-N1/16	PHX 5/16-N03	
PHX 3/16-N01	PHX 5/16-N04	
PHX 3/16-N02	PHX 3/8-N01	
PHX 3/16-N03	PHX 3/8-N02	

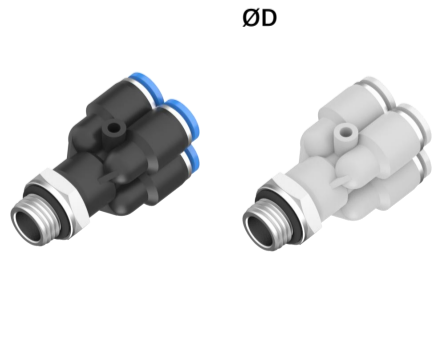


ØD

T

Metric Tube (ØD) - G, BSPP Thread (T) 公制插管 (ØD) - G, BSPP 螺纹 (T)	
PHX 04-G1/16	PHX 08-G04
PHX 04-G01	PHX 10-G01
PHX 04-G02	PHX 10-G02
PHX 04-G03	PHX 10-G03
PHX 06-G1/16	PHX 10-G04
PHX 06-G01	PHX 12-G01
PHX 06-G02	PHX 12-G02
PHX 06-G03	PHX 12-G03
PHX 06-G04	PHX 12-G04
PHX 08-G01	
PHX 08-G02	
PHX 08-G03	

Inch Tube (ØD) - G, BSPP Thread (T) 英制插管 (ØD) - G, BSPP 螺纹 (T)	
PHX 5/32-G1/16	PHX 5/16-G04
PHX 5/32-G01	PHX 3/8-G01
PHX 5/32-G02	PHX 3/8-G02
PHX 5/32-G03	PHX 3/8-G03
PHX 1/4-G1/16	PHX 3/8-G04
PHX 1/4-G01	PHX 1/2-G01
PHX 1/4-G02	PHX 1/2-G02
PHX 1/4-G03	PHX 1/2-G03
PHX 1/4-G04	PHX 1/2-G04
PHX 5/16-G01	
PHX 5/16-G02	
PHX 5/16-G03	



ØD

T

Metric Tube (ØD) - Metric Thread (T) 公制插管 (ØD) - Metric 螺纹 (T)		
PHX 04-M4	PHX 06-M14	PHX 10-M14
PHX 04-M5	PHX 06-M16	PHX 10-M16
PHX 04-M6	PHX 06-M20	PHX 10-M20
PHX 04-M8	PHX 08-M8	PHX 12-M8
PHX 04-M10	PHX 08-M10	PHX 12-M10
PHX 04-M12	PHX 08-M12	PHX 12-M12
PHX 06-M4	PHX 08-M14	PHX 12-M14
PHX 06-M5	PHX 08-M16	PHX 12-M16
PHX 06-M6	PHX 08-M20	PHX 12-M20
PHX 06-M8	PHX 10-M8	
PHX 06-M10	PHX 10-M10	
PHX 06-M12	PHX 10-M12	

Inch Tube (ØD) - Metric Thread (T) 英制插管 (ØD) - Metric 螺纹 (T)		
PHX 5/32-M4	PHX 1/4-M14	PHX 3/8-M14
PHX 5/32-M5	PHX 1/4-M16	PHX 3/8-M16
PHX 5/32-M6	PHX 1/4-M20	PHX 3/8-M20
PHX 5/32-M8	PHX 5/16-M8	PHX 1/2-M8
PHX 5/32-M10	PHX 5/16-M10	PHX 1/2-M10
PHX 5/32-M12	PHX 5/16-M12	PHX 1/2-M12
PHX 1/4-M4	PHX 5/16-M14	PHX 1/2-M14
PHX 1/4-M5	PHX 5/16-M16	PHX 1/2-M16
PHX 1/4-M6	PHX 5/16-M20	PHX 1/2-M20
PHX 1/4-M8	PHX 3/8-M8	
PHX 1/4-M10	PHX 3/8-M10	
PHX 1/4-M12	PHX 3/8-M12	

PU Union Straight
插管等径直通



ØD

Metric Tube (ØD) 公制插管 (ØD)	Inch Tube (ØD) 英制插管 (ØD)
PU 04	PU 1/8
PU 05	PU 5/32
PU 06	PU 3/16
PU 07	PU 1/4
PU 08	PU 5/16
PU 09	PU 3/8
PU 10	PU 1/2
PU 11	PU 5/8
PU 12	
PU 14	
PU 15	
PU 16	

PG Union Straight Reducer
插管直通变径



ØD2

ØD1

ØD1 > ØD2

Metric Tube (ØD1-ØD2) 公制插管 (ØD1-ØD2)	Inch Tube (ØD1-ØD2) 英制插管 (ØD1-ØD2)
PG 06-04	PG 5/32-1/8
PG 08-04	PG 3/16-1/8
PG 08-06	PG 3/16-5/32
PG 10-06	PG 1/4-1/8
PG 10-08	PG 1/4-5/32
PG 12-06	PG 1/4-3/16
PG 12-08	PG 5/16-5/32
PG 12-10	PG 5/16-1/4
PG 14-12	PG 3/8-3/16
PG 16-12	PG 3/8-1/4
PG 16-14	PG 3/8-5/16
	PG 1/2-5/16
	PG 1/2-3/8

PV 90° Union Elbow
插管等径90°弯头



ØD

Metric Tube (ØD) 公制插管 (ØD)	Inch Tube (ØD) 英制插管 (ØD)
PV 04	PV 1/8
PV 05	PV 5/32
PV 06	PV 3/16
PV 07	PV 1/4
PV 08	PV 5/16
PV 09	PV 3/8
PV 10	PV 1/2
PV 11	PV 5/8
PV 12	
PV 14	
PV 15	
PV 16	

PVG 90° Union Elbow Reducer
插管90°弯头变径



ØD2

ØD1

ØD1 > ØD2

Metric Tube (ØD1-ØD2) 公制插管 (ØD1-ØD2)	Inch Tube (ØD1-ØD2) 英制插管 (ØD1-ØD2)
PVG 06-04	PVG 5/32-1/8
PVG 08-04	PVG 3/16-1/8
PVG 08-06	PVG 3/16-5/32
PVG 10-06	PVG 1/4-1/8
PVG 10-08	PVG 1/4-5/32
PVG 12-06	PVG 1/4-3/16
PVG 12-08	PVG 5/16-5/32
PVG 12-10	PVG 5/16-1/4
PVG 14-12	PVG 3/8-3/16
PVG 16-12	PVG 3/8-1/4
PVG 16-14	PVG 3/8-5/16
	PVG 1/2-5/16
	PVG 1/2-3/8

PE Union Tee
插管等径正三通



ØD

Metric Tube (ØD) 公制插管 (ØD)	Inch Tube (ØD) 英制插管 (ØD)
PE 04	PE 1/8
PE 05	PE 5/32
PE 06	PE 3/16
PE 07	PE 1/4
PE 08	PE 5/16
PE 09	PE 3/8
PE 10	PE 1/2
PE 11	PE 5/8
PE 12	
PE 14	
PE 15	
PE 16	

PEG Union Tee Reducer
插管正三通变径



ØD1

ØD2

ØD1 > ØD2

Metric Tube (ØD1-ØD2) 公制插管 (ØD1-ØD2)	Inch Tube (ØD1-ØD2) 英制插管 (ØD1-ØD2)
PEG 06-04	PEG 5/32-1/8
PEG 08-04	PEG 3/16-1/8
PEG 08-06	PEG 3/16-5/32
PEG 10-06	PEG 1/4-1/8
PEG 10-08	PEG 1/4-5/32
PEG 12-06	PEG 1/4-3/16
PEG 12-08	PEG 5/16-5/32
PEG 12-10	PEG 5/16-1/4
PEG 14-12	PEG 3/8-3/16
PEG 16-12	PEG 3/8-1/4
PEG 16-14	PEG 3/8-5/16
	PEG 1/2-5/16
	PEG 1/2-3/8

PP Tube Plug
管塞



Metric Tube (ØD) 公制插管 (ØD)	Inch Tube (ØD) 英制插管 (ØD)
PP 04	PP 1/8
PP 05	PP 5/32
PP 06	PP 3/16
PP 07	PP 1/4
PP 08	PP 5/16
PP 09	PP 3/8
PP 10	PP 1/2
PP 11	PP 5/8
PP 12	
PP 14	
PP 15	
PP 16	

PGE Union Tee Reducer
插管正三通变径



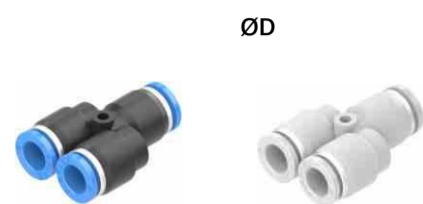
ØD2

ØD1

ØD1 > ØD2

Metric Tube (ØD1-ØD2) 公制插管 (ØD1-ØD2)	Inch Tube (ØD1-ØD2) 英制插管 (ØD1-ØD2)
PGE 06-04	PGE 5/32-1/8
PGE 08-04	PGE 3/16-1/8
PGE 08-06	PGE 3/16-5/32
PGE 10-06	PGE 1/4-1/8
PGE 10-08	PGE 1/4-5/32
PGE 12-06	PGE 1/4-3/16
PGE 12-08	PGE 5/16-5/32
PGE 12-10	PGE 5/16-1/4
PGE 14-12	PGE 3/8-3/16
PGE 16-12	PGE 3/8-1/4
PGE 16-14	PGE 3/8-5/16
	PGE 1/2-5/16
	PGE 1/2-3/8

PY Union Y
插管等径 Y 型三通



ØD

Metric Tube (ØD) 公制插管 (ØD)	Inch Tube (ØD) 英制插管 (ØD)
PY 04	PY 1/8
PY 05	PY 5/32
PY 06	PY 3/16
PY 07	PY 1/4
PY 08	PY 5/16
PY 09	PY 3/8
PY 10	PY 1/2
PY 11	PY 5/8
PY 12	
PY 14	
PY 15	
PY 16	

PW Union Y Reducer
插管 Y 型三通变径



ØD1

ØD2

ØD1 > ØD2

Metric Tube (ØD1-ØD2) 公制插管 (ØD1-ØD2)	Inch Tube (ØD1-ØD2) 英制插管 (ØD1-ØD2)
PW 06-04	PW 5/32-1/8
PW 08-04	PW 3/16-1/8
PW 08-06	PW 3/16-5/32
PW 10-06	PW 1/4-1/8
PW 10-08	PW 1/4-5/32
PW 12-06	PW 1/4-3/16
PW 12-08	PW 5/16-5/32
PW 12-10	PW 5/16-1/4
PW 14-12	PW 3/8-3/16
PW 16-12	PW 3/8-1/4
PW 16-14	PW 3/8-5/16
	PW 1/2-5/16
	PW 1/2-3/8

PM Bulkhead Union
插管隔板直通



ØD

Metric Tube (ØD) 公制插管 (ØD)	Inch Tube (ØD) 英制插管 (ØD)
PM 04	PM 1/8
PM 05	PM 5/32
PM 06	PM 3/16
PM 07	PM 1/4
PM 08	PM 5/16
PM 09	PM 3/8
PM 10	PM 1/2
PM 11	PM 5/8
PM 12	
PM 14	
PM 15	
PM 16	

PPF Tube Cap
管堵



ØD

Metric Tube (ØD1-ØD2) 公制插管 (ØD1-ØD2)	Inch Tube (ØD1-ØD2) 英制插管 (ØD1-ØD2)
PPF 04	PPF 1/8
PPF 05	PPF 5/32
PPF 06	PPF 3/16
PPF 07	PPF 1/4
PPF 08	PPF 5/16
PPF 09	PPF 3/8
PPF 10	PPF 1/2
PPF 11	PPF 5/8
PPF 12	
PPF 14	
PPF 15	
PPF 16	

PK Union Branch
插管等径五通



ØD

Metric Tube (ØD) 公制插管 (ØD)	Inch Tube (ØD) 英制插管 (ØD)
PK 04	PK 1/8
PK 05	PK 5/32
PK 06	PK 3/16
PK 07	PK 1/4
PK 08	PK 5/16
PK 09	PK 3/8
PK 10	PK 1/2
PK 11	PK 5/8
PK 12	
PK 14	
PK 15	
PK 16	

PKG Union Branch Reducer
插管五通变径



ØD1

ØD2

ØD1 > ØD2

Metric Tube (ØD1-ØD2) 公制插管 (ØD1-ØD2)	Inch Tube (ØD1-ØD2) 英制插管 (ØD1-ØD2)
PKG 06-04	PKG 5/32-1/8
PKG 08-04	PKG 3/16-1/8
PKG 08-06	PKG 3/16-5/32
PKG 10-06	PKG 1/4-1/8
PKG 10-08	PKG 1/4-5/32
PKG 12-06	PKG 1/4-3/16
PKG 12-08	PKG 5/16-5/32
PKG 12-10	PKG 5/16-1/4
PKG 14-12	PKG 3/8-3/16
PKG 16-12	PKG 3/8-1/4
PKG 16-14	PKG 3/8-5/16
	PKG 1/2-5/16
	PKG 1/2-3/8

PLM Bulkhead Union Elbow
隔板弯头



ØD

Metric Tube (ØD) 公制插管 (ØD)	Inch Tube (ØD) 英制插管 (ØD)
PLM 04	PLM 1/8
PLM 05	PLM 5/32
PLM 06	PLM 3/16
PLM 07	PLM 1/4
PLM 08	PLM 5/16
PLM 09	PLM 3/8
PLM 10	PLM 1/2
PLM 11	PLM 5/8
PLM 12	
PLM 14	
PLM 15	
PLM 16	

PGJ Plug-in Reducer
插入式直通变径



ØD1

ØD2

ØD1 > ØD2

Metric Tube (ØD1-ØD2) 公制插管 (ØD1-ØD2)	Inch Tube (ØD1-ØD2) 英制插管 (ØD1-ØD2)
PGJ 06-04	PGJ 5/32-1/8
PGJ 08-04	PGJ 3/16-1/8
PGJ 08-06	PGJ 3/16-5/32
PGJ 10-06	PGJ 1/4-1/8
PGJ 10-08	PGJ 1/4-5/32
PGJ 12-06	PGJ 1/4-3/16
PGJ 12-08	PGJ 5/16-5/32
PGJ 12-10	PGJ 5/16-1/4
PGJ 14-12	PGJ 3/8-3/16
PGJ 16-12	PGJ 3/8-1/4
PGJ 16-14	PGJ 3/8-5/16
	PGJ 1/2-5/16
	PGJ 1/2-3/8

PLJ Plug-in Elbow
插入式等径弯头



ØD

Metric Tube (ØD) 公制插管 (ØD)	Inch Tube (ØD) 英制插管 (ØD)
PLJ 04	PLJ 5/32
PLJ 06	PLJ 3/16
PLJ 08	PLJ 1/4
PLJ 10	PLJ 5/16
PLJ 12	PLJ 3/8
	PLJ 1/2

PLGJ Plug-in Elbow Reducer
插入式弯头变径



ØD2

ØD1

ØD1 > ØD2

Metric Tube (ØD1-ØD2) 公制插管 (ØD1-ØD2)	Inch Tube (ØD1-ØD2) 英制插管 (ØD1-ØD2)
PLGJ 06-04	PLGJ 5/32-1/8
PLGJ 08-06	PLGJ 1/4-5/32
PLGJ 10-06	PLGJ 5/16-1/4
PLGJ 10-08	PLGJ 3/8-1/4
PLGJ 12-08	PLGJ 3/8-5/16
PLGJ 12-10	PLGJ 1/2-5/16
	PLGJ 1/2-3/8

PYJ Plug-in Y
插入式等径 Y 型三通



ØD

Metric Tube (ØD) 公制插管 (ØD)	Inch Tube (ØD) 英制插管 (ØD)
PYJ 04	PYJ 5/32
PYJ 06	PYJ 3/16
PYJ 08	PYJ 1/4
PYJ 10	PYJ 5/16
PYJ 12	PYJ 3/8
	PYJ 1/2

PWJ Plug-in Y Reducer
插入式 Y 型变径三通



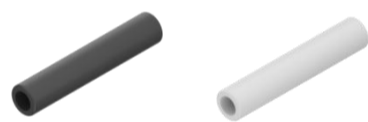
ØD1

ØD2

ØD1 > ØD2

Metric Tube (ØD1-ØD2) 公制插管 (ØD1-ØD2)	Inch Tube (ØD1-ØD2) 英制插管 (ØD1-ØD2)
PWJ 06-04	PWJ 5/32-1/8
PWJ 08-06	PWJ 1/4-5/32
PWJ 10-06	PWJ 5/16-1/4
PWJ 10-08	PWJ 3/8-1/4
PWJ 12-08	PWJ 3/8-5/16
PWJ 12-10	PWJ 1/2-5/16
	PWJ 1/2-3/8

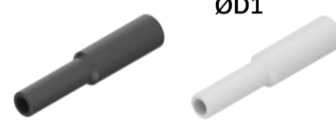
PIJ Tube Splicer
插入式等径连接



ØD

Metric Tube (ØD) 公制插管 (ØD)	Inch Tube (ØD) 英制插管 (ØD)
PIJ 04	PIJ 5/32
PIJ 06	PIJ 3/16
PIJ 08	PIJ 1/4
PIJ 10	PIJ 5/16
PIJ 12	PIJ 3/8
	PIJ 1/2

PIG Tube Splicer Reducer
插入式连接变径



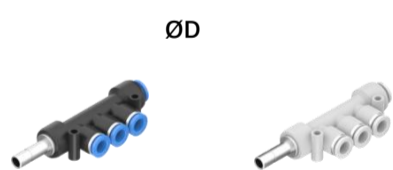
ØD1

ØD2

ØD1 > ØD2

Metric Tube (ØD1-ØD2) 公制插管 (ØD1-ØD2)	Inch Tube (ØD1-ØD2) 英制插管 (ØD1-ØD2)
PIG 06-04	PIG 5/32-1/8
PIG 08-06	PIG 1/4-5/32
PIG 10-06	PIG 5/16-1/4
PIG 10-08	PIG 3/8-1/4
PIG 12-08	PIG 3/8-5/16
PIG 12-10	PIG 1/2-5/16
	PIG 1/2-3/8

PKJ Plug-in Triple Branch
插入式等径五通



ØD

Metric Tube (ØD) 公制插管 (ØD)	Inch Tube (ØD) 英制插管 (ØD)
PKJ 04	PKJ 5/32
PKJ 06	PKJ 3/16
PKJ 08	PKJ 1/4
PKJ 10	PKJ 5/16
PKJ 12	PKJ 3/8
	PKJ 1/2

PKGJ Plug-in Triple Branch Reducer
插入式五通变径



ØD1

ØD2

ØD1 > ØD2

Metric Tube (ØD1-ØD2) 公制插管 (ØD1-ØD2)	Inch Tube (ØD1-ØD2) 英制插管 (ØD1-ØD2)
PKGJ 06-04	PKGJ 5/32-1/8
PKGJ 08-06	PKGJ 1/4-5/32
PKGJ 10-06	PKGJ 5/16-1/4
PKGJ 10-08	PKGJ 3/8-1/4
PKGJ 12-08	PKGJ 3/8-5/16
PKGJ 12-10	PKGJ 1/2-5/16
	PKGJ 1/2-3/8

PBJ Plug-in Tee
插入型等径正三通



ØD

Metric Tube (ØD) 公制插管 (ØD)	Inch Tube (ØD) 英制插管 (ØD)
PBJ 04	PBJ 5/32
PBJ 06	PBJ 3/16
PBJ 08	PBJ 1/4
PBJ 10	PBJ 5/16
PBJ 12	PBJ 3/8
	PBJ 1/2

PBGJ Plug-in Tee Reducer
插入型正三通变径



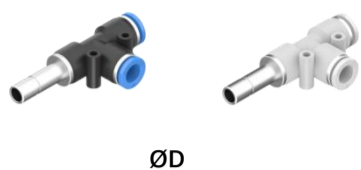
ØD2

ØD1

ØD1 > ØD2

Metric Tube (ØD1-ØD2) 公制插管 (ØD1-ØD2)	Inch Tube (ØD1-ØD2) 英制插管 (ØD1-ØD2)
PBGJ 06-04	PBGJ 5/32-1/8
PBGJ 08-06	PBGJ 1/4-5/32
PBGJ 10-06	PBGJ 5/16-1/4
PBGJ 10-08	PBGJ 3/8-1/4
PBGJ 12-08	PBGJ 3/8-5/16
PBGJ 12-10	PBGJ 1/2-5/16
	PBGJ 1/2-3/8

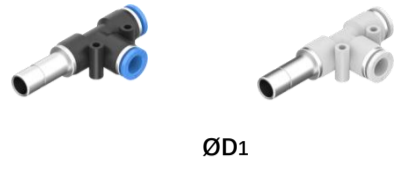
PDJ Plug-in Run Tee
插入式等径侧三通



ØD

Metric Tube (ØD) 公制插管 (ØD)	Inch Tube (ØD) 英制插管 (ØD)
PDJ 04	PDJ 5/32
PDJ 06	PDJ 3/16
PDJ 08	PDJ 1/4
PDJ 10	PDJ 5/16
PDJ 12	PDJ 3/8
	PDJ 1/2

PDGJ Plug-in Run Tee Reducer
插入式侧三通变径

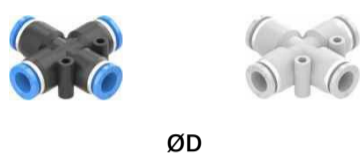


ØD1

ØD1 > ØD2

Metric Tube (ØD1-ØD2) 公制插管 (ØD1-ØD2)	Inch Tube (ØD) 英制插管 (ØD)
PDGJ 06-04	PDGJ 5/32-1/8
PDGJ 08-06	PDGJ 1/4-5/32
PDGJ 10-06	PDGJ 5/16-1/4
PDGJ 10-08	PDGJ 3/8-1/4
PDGJ 12-08	PDGJ 3/8-5/16
PDGJ 12-10	PDGJ 1/2-5/16
	PDGJ 1/2-3/8

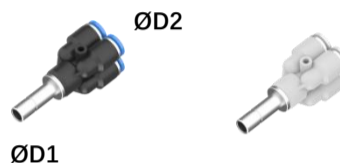
PZA Union Cross
插管十字四通



ØD

Metric Tube (ØD) 公制插管 (ØD)	Inch Tube (ØD) 英制插管 (ØD)
PZA 04	PZA 5/32
PZA 05	PZA 3/16
PZA 06	PZA 1/4
PZA 07	PZA 5/16
PZA 08	PZA 3/8
PZA 09	PZA 1/2
PZA 10	
PZA 11	
PZA 12	

PTGJ Plug-in Double Union Y Reducer
插入式Y型五通变径



ØD1

ØD1 > ØD2

Metric Tube (ØD1-ØD2) 公制插管 (ØD1-ØD2)	Inch Tube (ØD1-ØD2) 英制插管 (ØD1-ØD2)
PTGJ 06-04	PTGJ 5/32-1/8
PTGJ 08-06	PTGJ 1/4-5/32
PTGJ 10-06	PTGJ 5/16-1/4
PTGJ 10-08	PTGJ 3/8-1/4
PTGJ 12-08	PTGJ 3/8-5/16
PTGJ 12-10	PTGJ 1/2-5/16
	PTGJ 1/2-3/8

PT Double Union Y
插管等径Y型五通



ØD

Metric Tube (ØD) 公制插管 (ØD)	Inch Tube (ØD) 英制插管 (ØD)
PT 04	PT 5/32
PT 06	PT 3/16
PT 08	PT 1/4
PT 10	PT 5/16
PT 12	PT 3/8
	PT 1/2

PTG Double Union Y Reducer
插管Y型五通变径

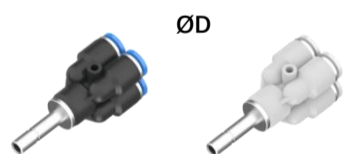


ØD1

ØD1 > ØD2

Metric Tube (ØD1-ØD2) 公制插管 (ØD1-ØD2)	Inch Tube (ØD1-ØD2) 英制插管 (ØD1-ØD2)
PTG 06-04	PTG 5/32-1/8
PTG 08-06	PTG 1/4-5/32
PTG 10-06	PTG 5/16-1/4
PTG 10-08	PTG 3/8-1/4
PTG 12-08	PTG 3/8-5/16
PTG 12-10	PTG 1/2-5/16
	PTG 1/2-3/8

PTJ Plug-in Double Union Y
插入式等径Y型五通



ØD

Metric Tube (ØD) 公制插管 (ØD)	Inch Tube (ØD) 英制插管 (ØD)
PTJ 04	PTJ 5/32
PTJ 06	PTJ 3/16
PTJ 08	PTJ 1/4
PTJ 10	PTJ 5/16
PTJ 12	PTJ 3/8
	PTJ 1/2

PED Double Union Tee
插管T型等径五通



ØD

Metric Tube (ØD) 公制插管 (ØD)	Inch Tube (ØD) 英制插管 (ØD)
PED 04	PED 5/32
PED 06	PED 3/16
PED 08	PED 1/4
PED 10	PED 5/16
PED 12	PED 3/8
	PED 1/2

如果没有查询到想要订购的产品，请联系我们的销售代表！

Didn't find what you want? Contact our Sales Represent please!